

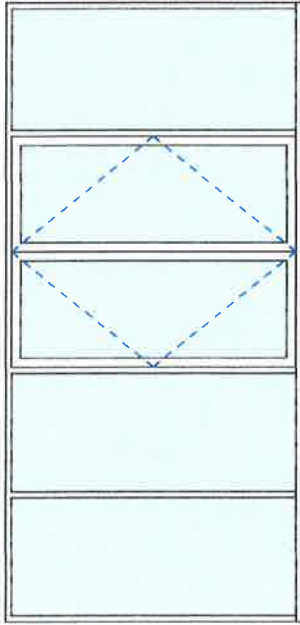
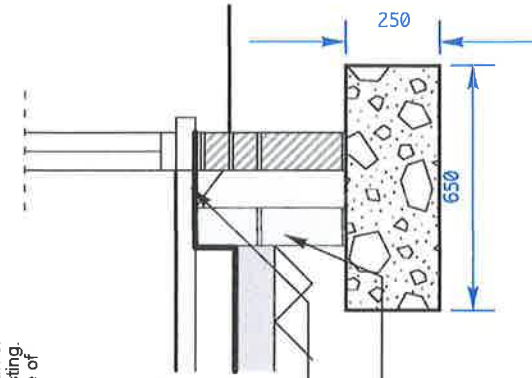
new roof over new kitchen area, to be pitched, approx 21° pitch, & to be formed from 195x50mm rafters @ max. 400mm ctrs, with 150mm rigid roof insulation between joists, min 50mm gap above. Roof finish to be second-hand Welsh slate on treated battens on roofing felt on 25mm ext. quality plywood base, laid to fall, on breather membrane vapour barrier, screwed to rafters. Internal finish to be 38mm overall foil-backed insulated plasterboard & skim.
 Roof construction to provide a U-value of 0.15 W/sq.m.K.

New external wall detail -
 external walls to be nominally 300mm wide - internal skin of 50mm insulated plasterboard & skim, on 100mm wide thermal blockwork inner skin, 100mm cavity with 50mm Kingspan Kooltherm K8 partial cavity wall insulation, & external skin of 100mm facing brick to match existing. External walls to provide a U-value of 0.21 W/sq.m.K.

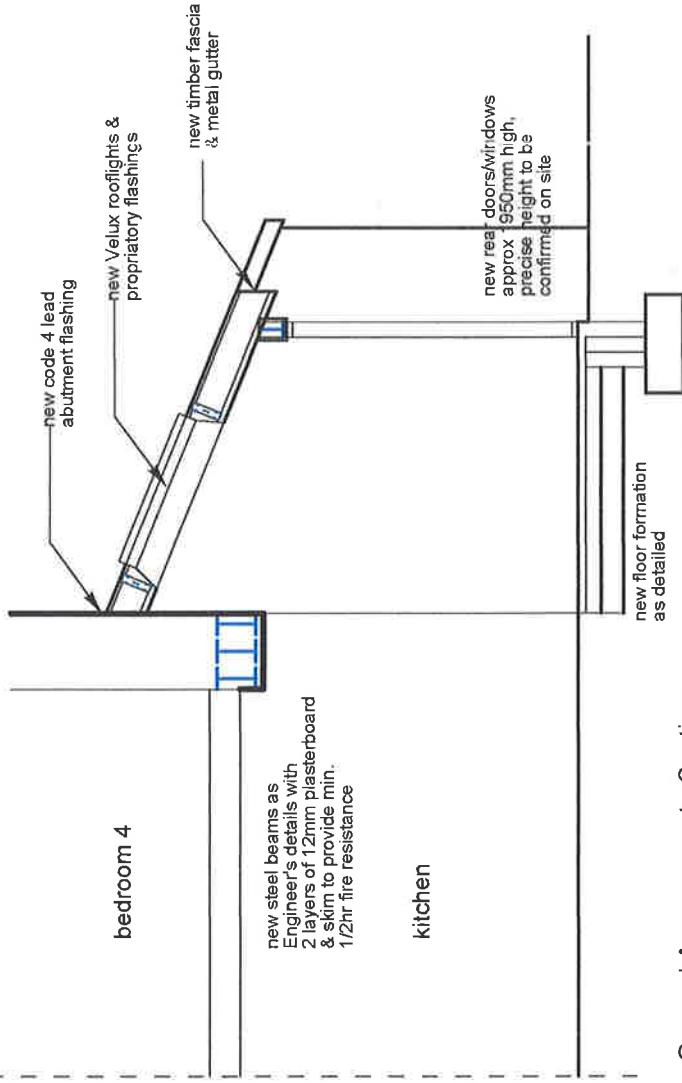
new floor formation to kitchen extension to be 50mm screed suitable for underfloor heating on 125mm grade RC35 site concrete, on 1200 gauge combined radon/dpmm on min 150mm floor insulation, to provide U-value of 0.18 W/sq.m.K

combined dpc/radon barrier as shown
 100mm class A blockwork inner skin below dpc, & weak mix concrete fill to cavity below dpc

foundation/perimeter detail
 scale 1:20



elevation of new rear doors/windows



General Arrangement : Section

new rear doors/windows approx 1950mm high, precise height to be confirmed on site
 new floor formation as detailed
 new floor formation to kitchen extension to be 50mm screed suitable for underfloor heating on 125mm grade RC35 site concrete, on 1200 gauge combined radon/dpmm on min 150mm floor insulation, to provide U-value of 0.18 W/sq.m.K