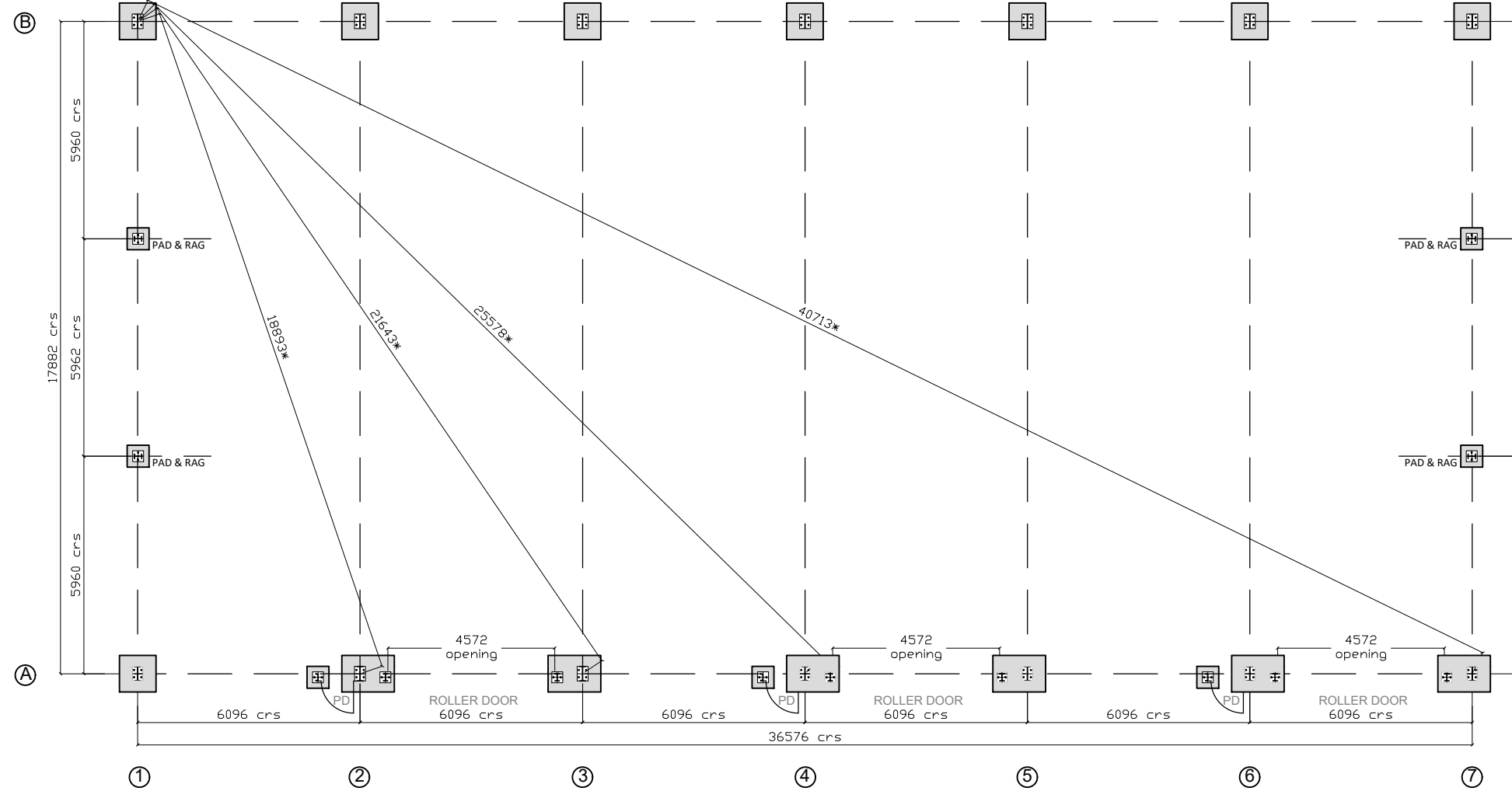


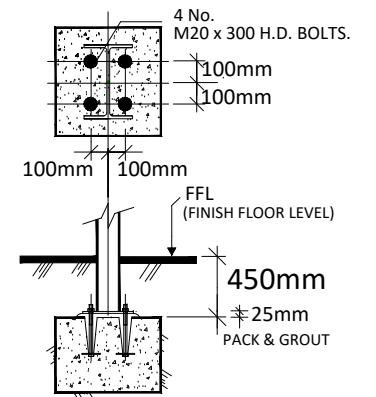
36.576m x 18.288m x 4.877m BUILDING ON 406mm x 178mm x 60kg UB STANCHIONS



PLEASE MAKE SURE THE DOOR POSITIONS MEET YOUR REQUIREMENTS
DIMENSIONS MARKED * ARE CHECK DIMENSIONS ONLY

INDUSTRIAL FOUND DETAIL

4 BOLT DETAIL



N.B. FFL IS TO BE LEVEL

NOTE.

FOUNDATION PAD SIZES ARE NOT STATED/SUPPLIED DUE TO VARYING SITE CONDITIONS. PLEASE CONTACT US IF YOU REQUIRE STRUCTURAL ENGINEER DESIGN/CERTIFICATION FOR THE BUILDING.

ANY BUILDING WHICH IS ATTACHED TO AN EXISTING SHED, EAVES DETAIL AND HEIGHT, BAY CENTRES AND STEEL SIZES MUST BE MEASURED, AS THIS INFORMATION IS REQUIRED FOR THE MANUFACTURE OF YOUR BUILDING.

SITE ADDRESS:
THE FORMER TELFORD FILLING STATION
CRAWFORD
ML12 6RH

CONTACT:
MR N SMITH
BELSHILL

CLIENT:
MR N SMITH
THE ORIGINAL GERMAN SAUSAGE
2 LEGGATE WALL

BELLSHILL
ML4 3GG

DRWN BY: A GOWAN
CHK'D BY: A ROBB
A3 SCALE: NTS

DATE: 06-01-22
DATE: 06-01-22

REVISIONS:

REV.	DATE:	DESCRIPTION	BY
A	11/03/22	DOORS MOVED	AG

DRG. No. RS21-5236-6578-01

Rev. A

PLEASE NOTE NO ASSUMPTION SHOULD BE MADE IN RESPECT TO ANY CONSTRUCTIONAL DETAILS FROM THIS DRAWING. ALL DIMENSIONS ON THIS DRAWING MUST BE CONSIDERED APPROXIMATE. VARIATIONS MAY OCCUR DURING DETAILING. DRAWING PRODUCED FOR PLANNING PURPOSES ONLY. DO NOT SCALE. IF IN DOUBT ASK

ROBINSONS
Grow • Respect • Inspire • Trust • Deliver
Broomhouses 2 Industrial Estate
Glasgow Road
Lockerbie
DG11 2SD
Tel: 01576 205 905
Fax: 01576 204 466
Drawing Office: 01606 330 227