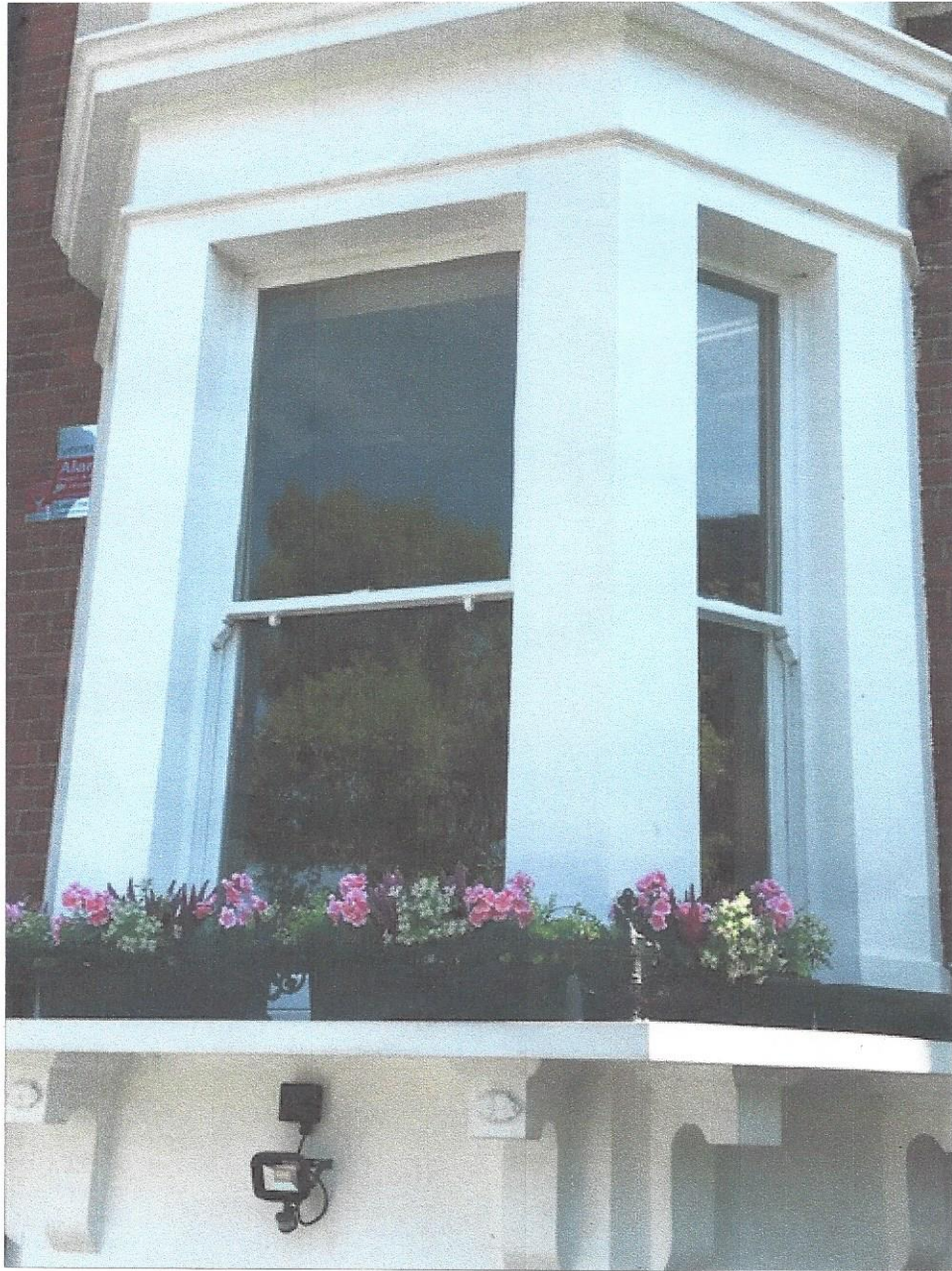


SCHEDULE OF PROPOSED EXTERNAL BUILDING FABRIC MATERIALS

MYRTLE HOUSE
NOTTINGHAM ROAD NORTH
HERONSGATE
HERTFORDSHIRE



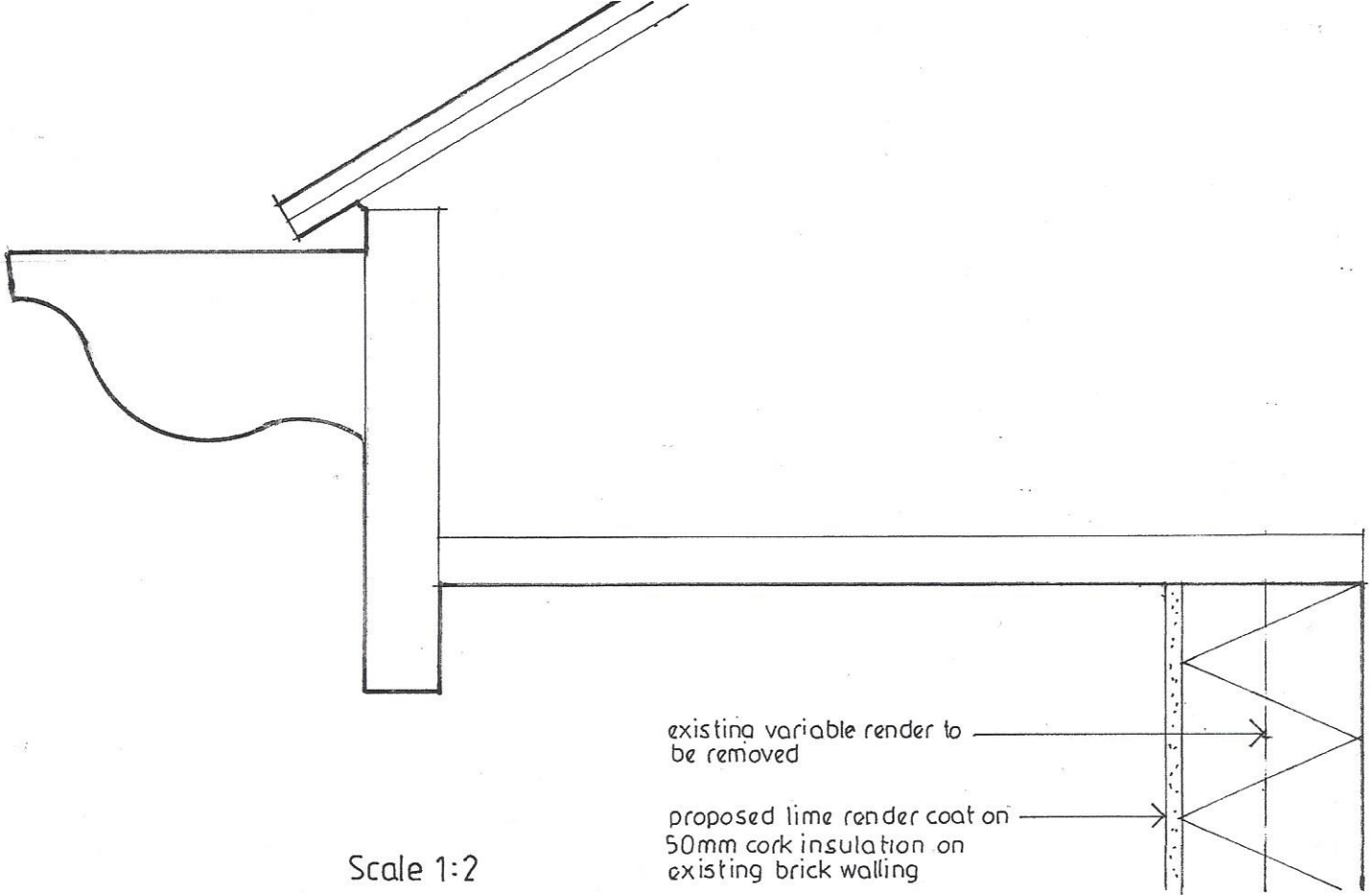
PHOTOGRAPH INDICATING TYPICAL PROPOSED PAINTED TIMBER SINGLE SASH WINDOW.



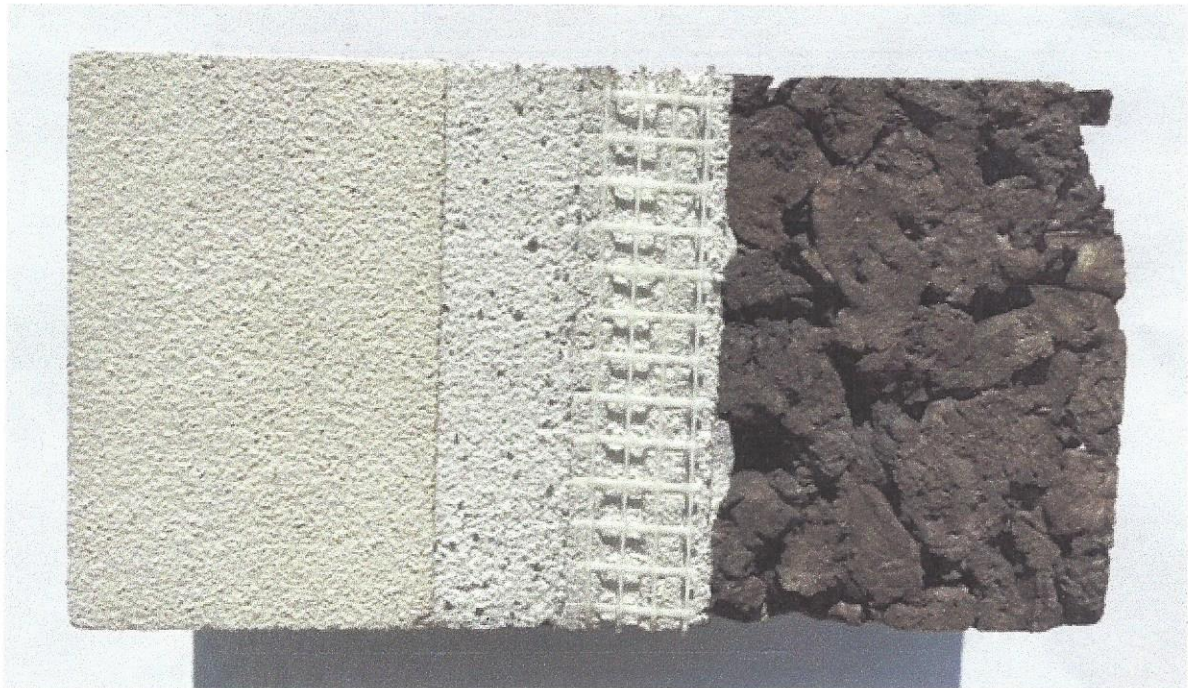
PHOTOGRAPH INDICATING TYPICAL PROPOSED PAINTED TIMBER DOUBLE SASH WINDOW.



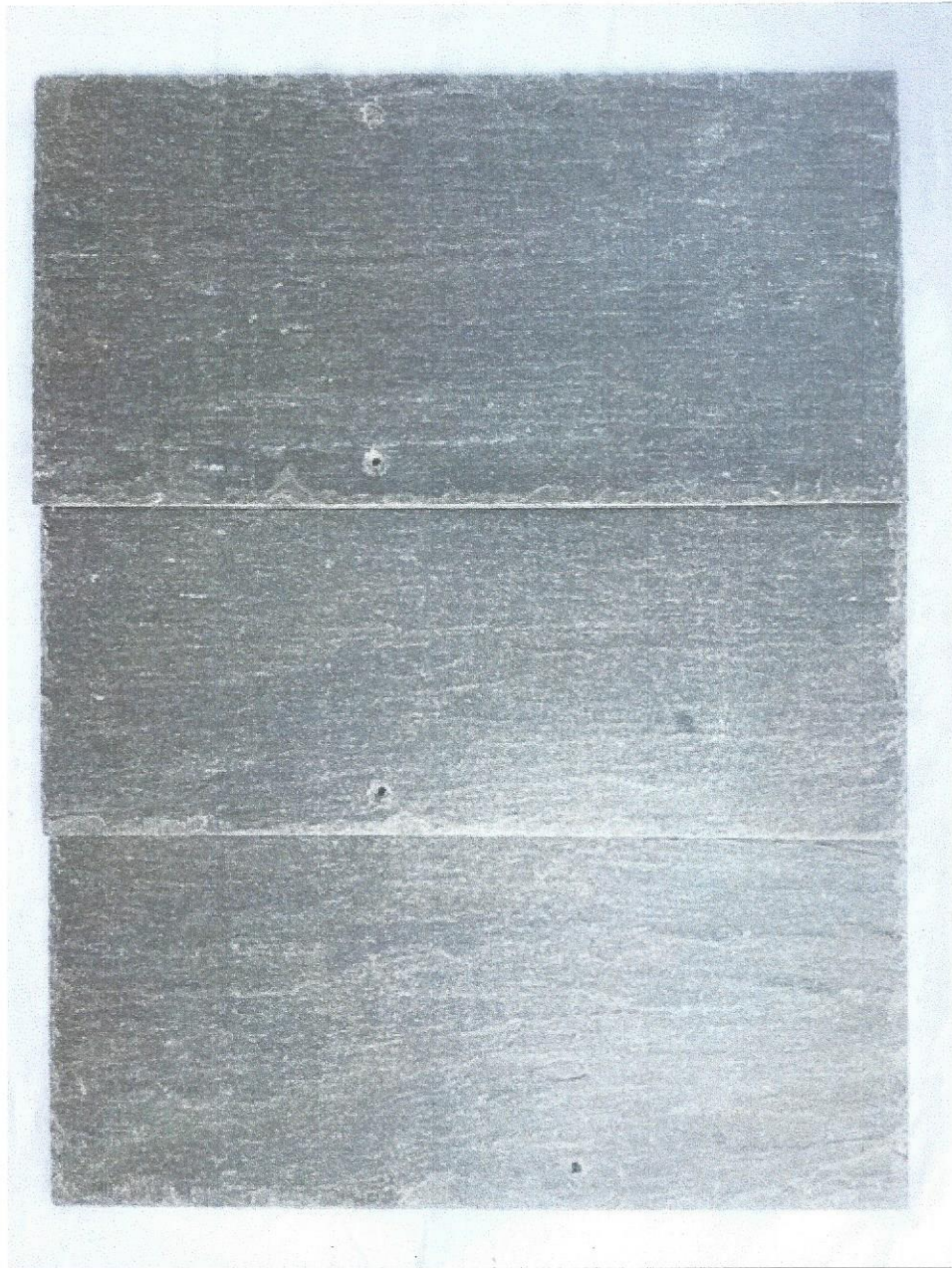
PHOTOGRAPH INDICATING TYPICAL PROPOSED PAINTED TIMBER FRENCH DOORS.



Scale 1:2



REPLACEMENT OF EXISTING VARIABLE RENDER FINISHES WITH NATURAL LIME RENDER COAT SMOOTH FINISH ON CORK INSULATION AND BREATHER PAINT FINISH.



PHOTOGRAPH INDICATING NATURAL SLATE ROOF TILING TO MATCH EXISTING ROOFING.