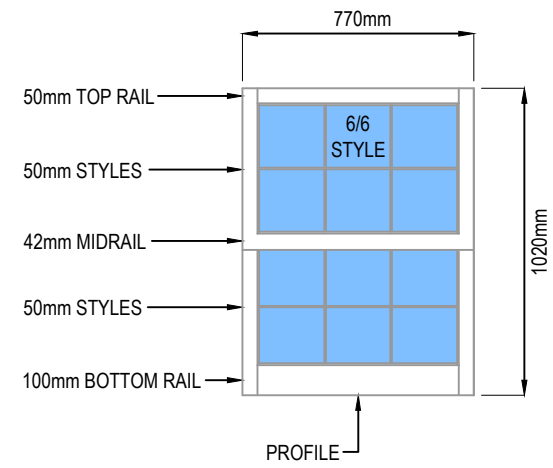
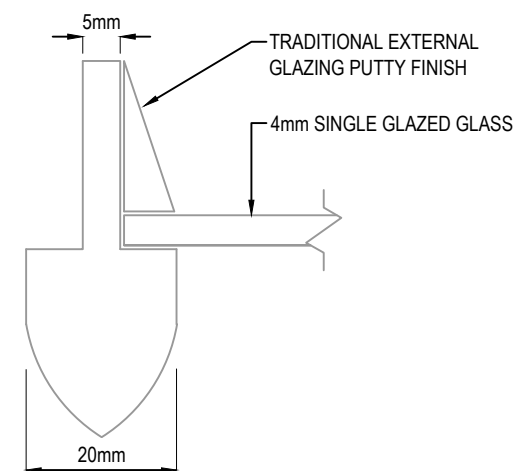


EXISTING CROSS SECTION



EXISTING ELEVATION (1:25)



EXISTING ASTRAGAL CROSS SECTION (1:1)

WINDOW No.13 - GROUND FLOOR - REAR ELEVATION

PLANNING ISSUE	
<p>GENUINE CRAFTSMANSHIP HERMITAGE WINDOWS</p>	
Client:	
Fraser McLeod 1 Bamburgh Castle Dunbar, EH42 1EN	
Title:	
Double Glazed Upgrade W13 Bathroom Existing Elevation / Sections	
Scale:	Date:
As Noted	April '22
Drawing No.:	
HERM/1BC/W13/B/E	