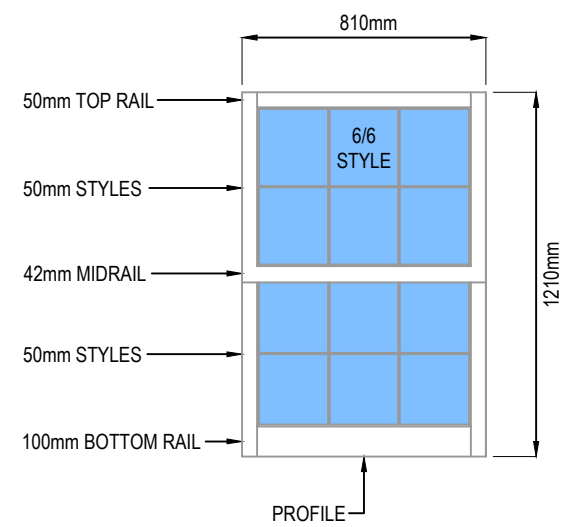
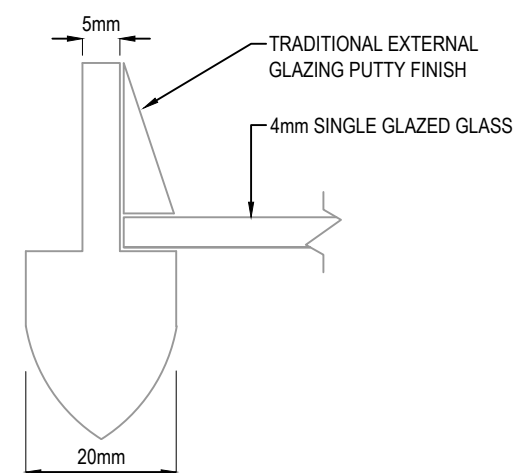


EXISTING CROSS SECTION



EXISTING ELEVATION (1:25)



EXISTING ASTRAGAL CROSS SECTION (1:1)

WINDOW No.8 - GROUND FLOOR - FRONT ELEVATION

PLANNING ISSUE

GENUINE CRAFTSMANSHIP
HERMITAGE
WINDOWS

Client:
Fraser McLeod
1 Bamburgh Castle
Dunbar, EH42 1EN

Title:
Double Glazed Upgrade
W8 Dining Room
Existing Elevation / Sections

| | |
|---------------------------------|-------------------|
| Scale As Noted | Date April '22 |
| Drawing No. HERM/1BC/W8/DR/E | |