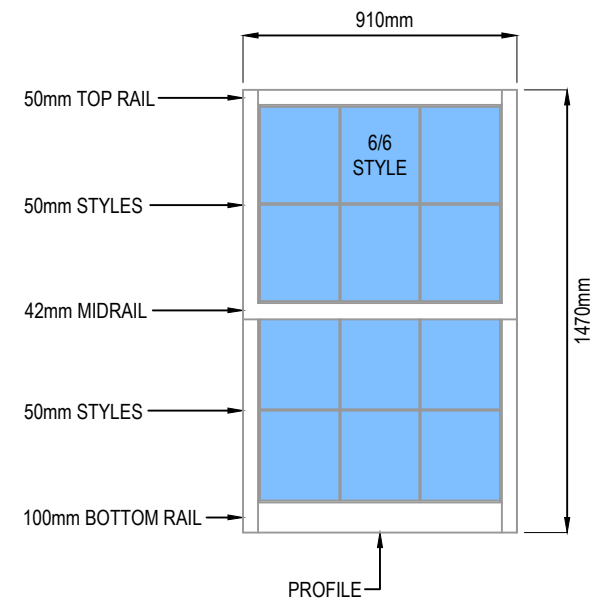
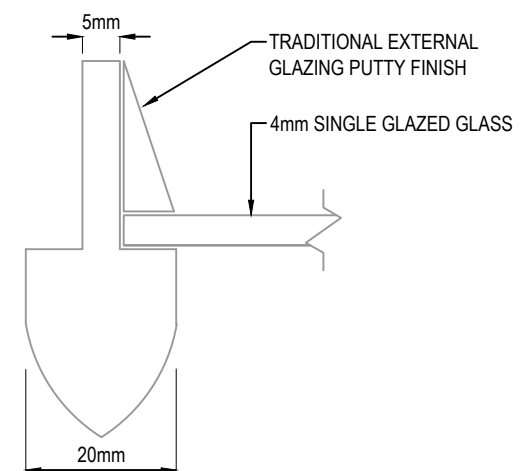


EXISTING CROSS SECTION



EXISTING ELEVATION (1:25)



EXISTING ASTRAGAL CROSS SECTION (1:1)

WINDOW No.10 - GROUND FLOOR - SIDE ELEVATION

PLANNING ISSUE	
Client: Fraser McLeod 1 Bamburgh Castle Dunbar, EH42 1EN	
Title: Double Glazed Upgrade W10 Living Room Existing Elevation / Sections	
Scale	Date
As Noted	April '22
Drawing No. HERM/1BC/W10/LR/E	