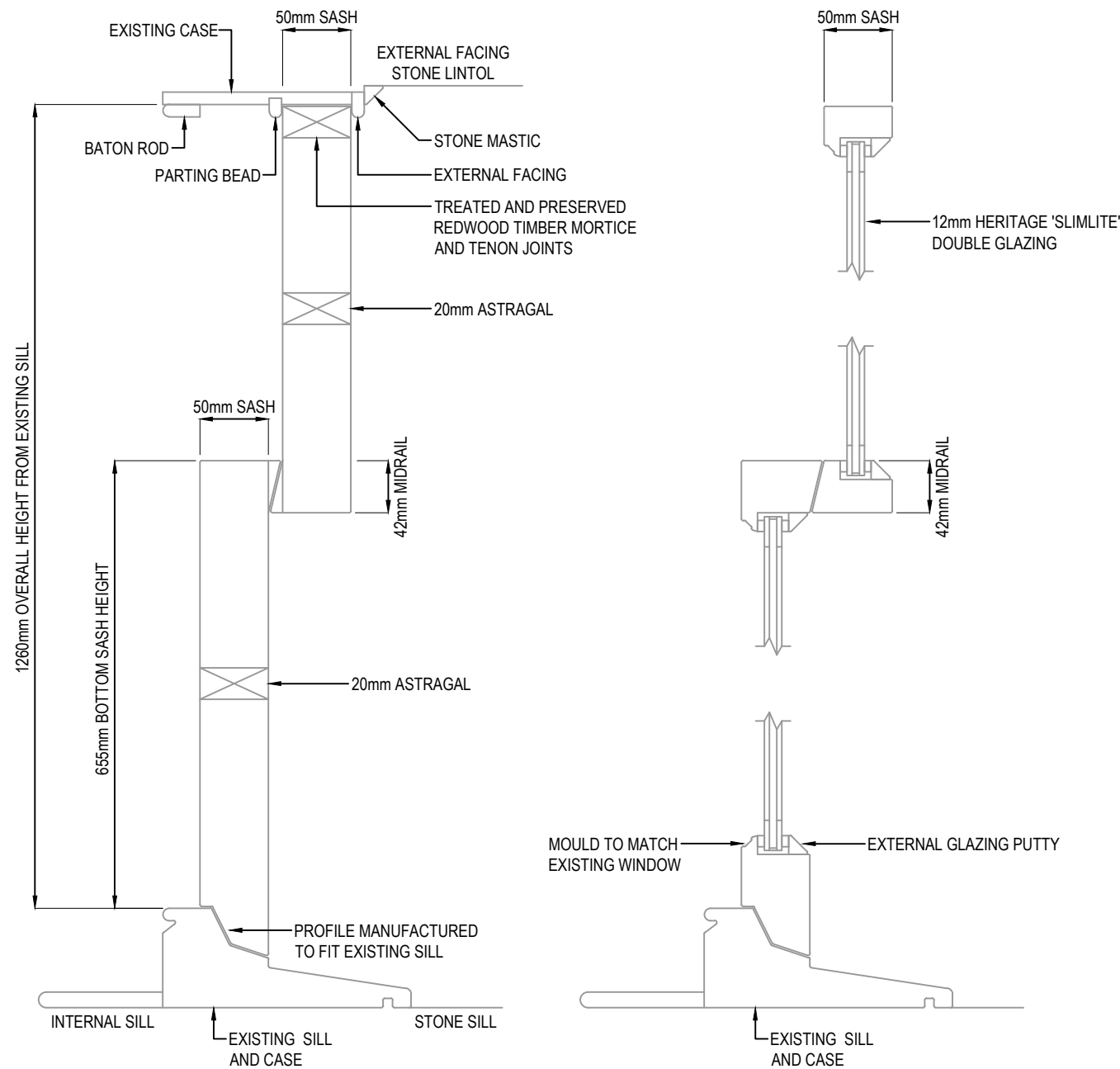
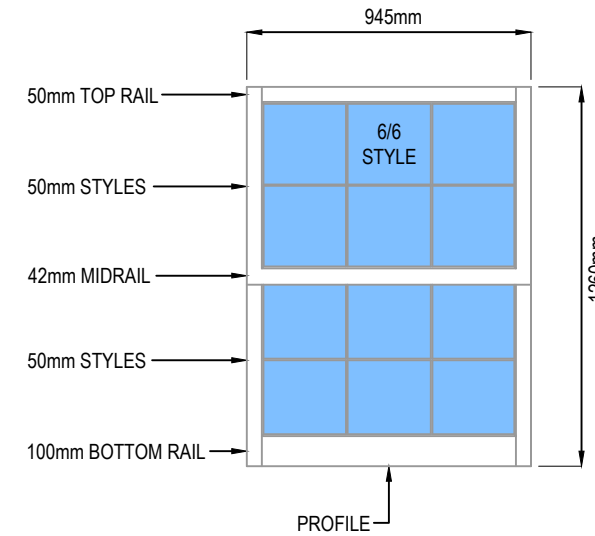


DESCRIPTION OF WORKS: DOUBLE GLAZED UPGRADE INTO EXISTING CASE

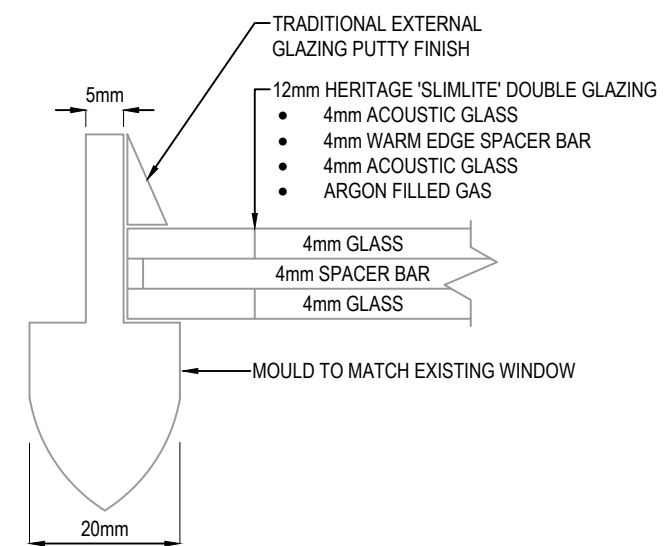
- PAINT FINISH - WHITE MICROPOROUS FINISH.
- STONE MASTIC FINISH AGAINST EXTERNAL STONEMWORK.
- MANUFACTURE AND INSTALL NEW SASHES IN SUSTAINABLE REDWOOD SOLID TIMBER TO MATCH ORIGINALS.
- HIGH PERFORMANCE DOUBLE GLAZED UNITS WITH ARGON FILLED GAS, HERITAGE GLASS, WARM EDGED SPACER BAR AND A PUTTY FINISH EXTERNALLY.
- ASTRAGAL Windows ARE MANUFACTURED USING A 'THROUGH ASTRAGAL' TECHNIQUE WITH INDIVIDUAL DOUBLE GLAZED PANES.
- COMPLETE RESTORATION OF EXISTING CASE AND REPAIR OR REPLACE ANY ROTTING OR DAMAGED TIMBER.
- INSTALL UPGRADED IRONMONGERY IN A POLISHED BRASS OR POLISHED CHROME FINISH.
- INSTALL DRAUGHT PROOFING.
- TOUGHENED GLASS TO WINDOWS BELOW 800mm FROM GROUND.



PROPOSED CROSS SECTION



PROPOSED ELEVATION (1:25)



PROPOSED ASTRAGAL CROSS SECTION AND GLASS SPECIFICATION (1:1)

WINDOW No.12 - GROUND FLOOR - REAR ELEVATION

PLANNING ISSUE

Client:
Fraser McLeod
1 Bamburgh Castle
Dunbar, EH42 1EN

Title:
Double Glazed Upgrade
W12 Living Room Left
Proposed Elevation / Sections

Scale As Noted	Date April '22
Drawing No. HERM/1BC/W12/LRL/P	