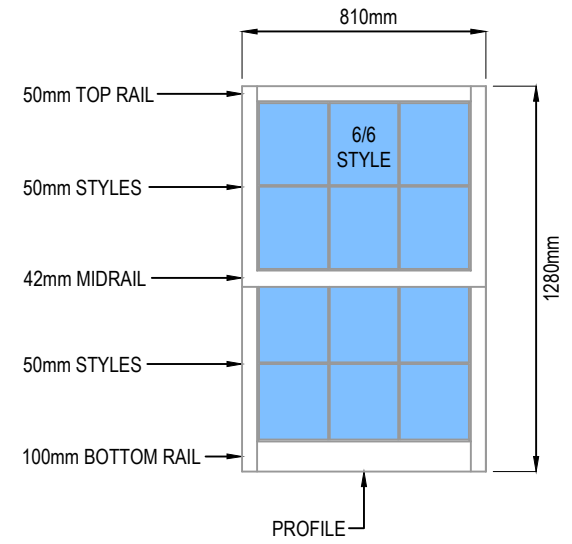
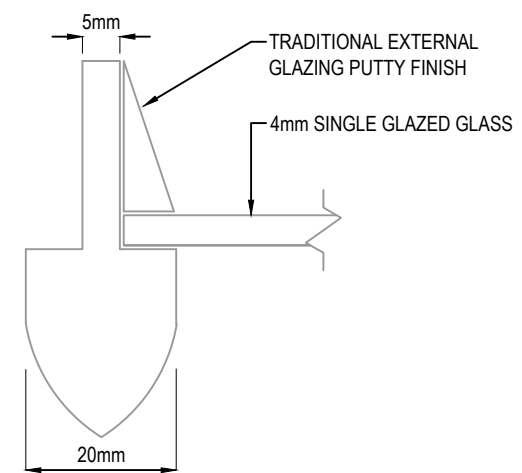


EXISTING CROSS SECTION



EXISTING ELEVATION (1:25)



EXISTING ASTRAGAL CROSS SECTION (1:1)

WINDOW No.2 - FIRST FLOOR - FRONT ELEVATION

PLANNING ISSUE	
 <p>GENUINE CRAFTSMANSHIP HERMITAGE WINDOWS</p>	
Client: Fraser McLeod 1 Bamburgh Castle Dunbar, EH42 1EN	
Title: Double Glazed Upgrade W2 Bathroom Existing Elevation / Sections	
Scale: As Noted	Date: April '22
Drawing No. HERM/1BC/W2/B/E	