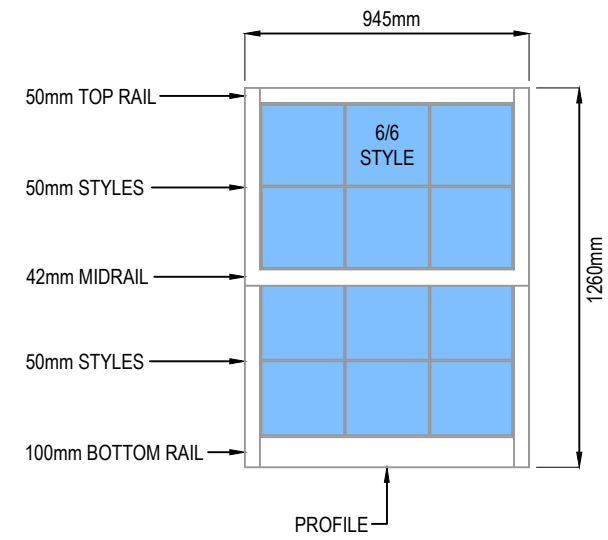
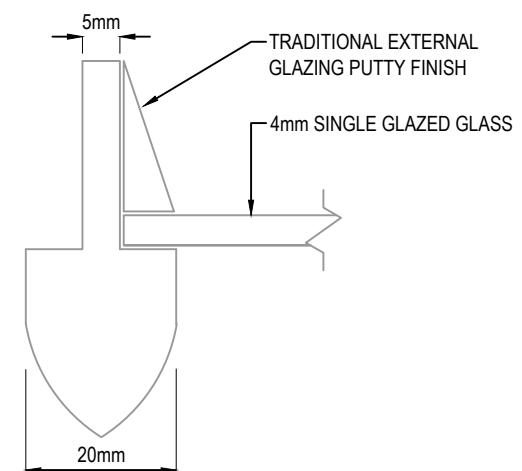


EXISTING CROSS SECTION



EXISTING ELEVATION (1:25)



EXISTING ASTRAGAL CROSS SECTION (1:1)

WINDOW No.12 - GROUND FLOOR - REAR ELEVATION

PLANNING ISSUE	
Client: Fraser McLeod 1 Bamburgh Castle Dunbar, EH42 1EN	
Title: Double Glazed Upgrade W12 Living Room Left Existing Elevation / Sections	
Scale: As Noted	Date: April '22
Drawing No. HERM/1BC/W12/LRL/E	