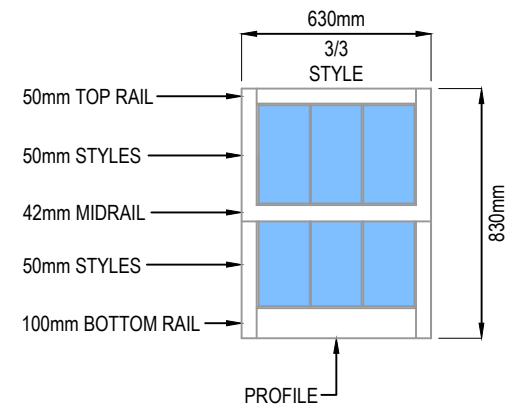
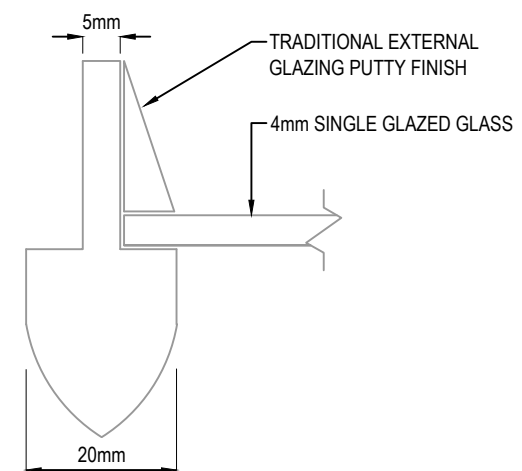


EXISTING CROSS SECTION



EXISTING ELEVATION (1:25)



EXISTING ASTRAGAL CROSS SECTION (1:1)

WINDOW No.17 - BASEMENT - FRONT ELEVATION

PLANNING ISSUE	
Client:	
Fraser McLeod 1 Bamburgh Castle Dunbar, EH42 1EN	
Title:	
Double Glazed Upgrade W17 Basement Left Existing Elevation / Sections	
Scale:	Date:
As Noted	April '22
Drawing No.	
HERM/1BC/W17/BL/E	