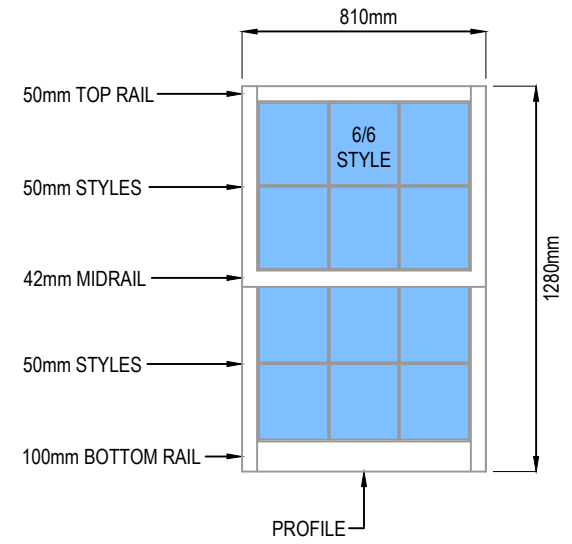
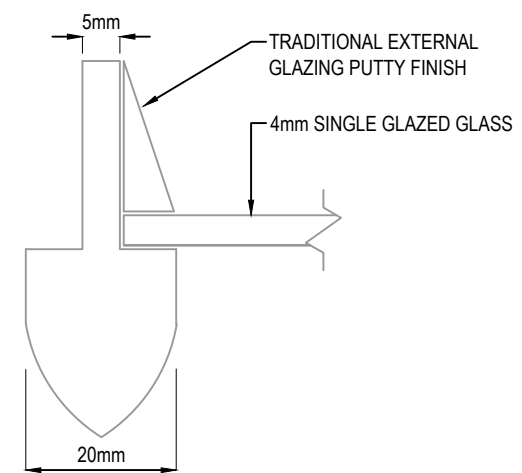


EXISTING CROSS SECTION



EXISTING ELEVATION (1:25)



EXISTING ASTRAGAL CROSS SECTION (1:1)

WINDOW No.1 - FIRST FLOOR - FRONT ELEVATION

PLANNING ISSUE	
Client:	
Fraser McLeod 1 Bamburgh Castle Dunbar, EH42 1EN	
Title:	
Double Glazed Upgrade W1 Bedroom Right Existing Elevation / Sections	
Scale:	Date:
As Noted	April '22
Drawing No.	
HERM/1BC/W1/BR/E	