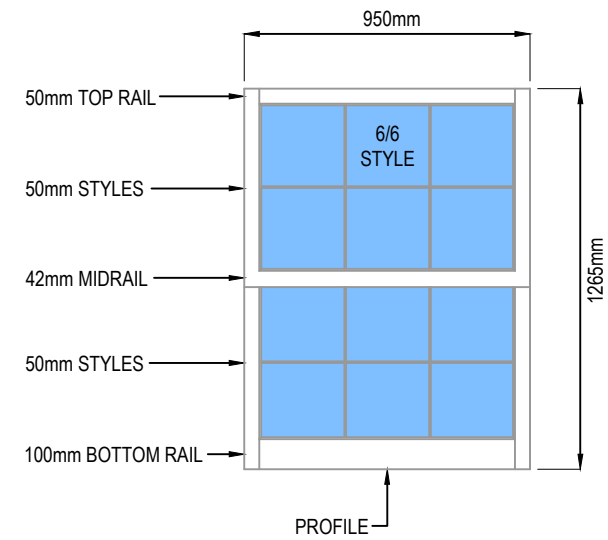
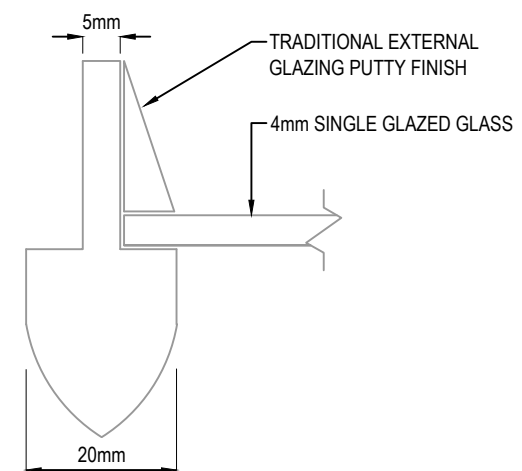


EXISTING CROSS SECTION



EXISTING ELEVATION (1:25)



EXISTING ASTRAGAL CROSS SECTION (1:1)

**WINDOW No.9 - GROUND FLOOR - FRONT ELEVATION**

<b>PLANNING ISSUE</b>	
Client:	
Fraser McLeod 1 Bamburgh Castle Dunbar, EH42 1EN	
Title:	
Double Glazed Upgrade W9 Kitchen Existing Elevation / Sections	
Scale:	Date:
As Noted	April '22
Drawing No.	
HERM/1BC/W9/K/E	