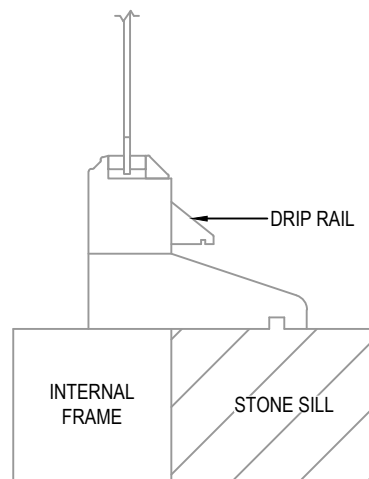
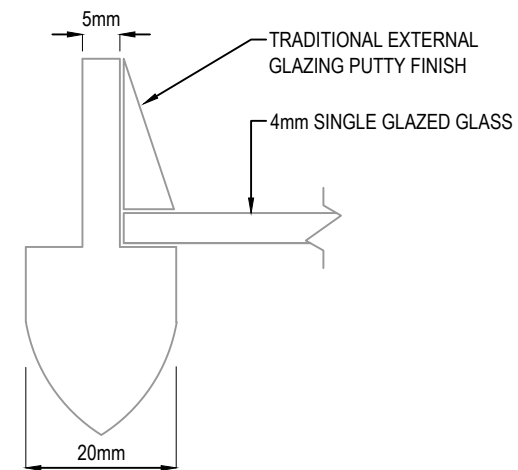


EXISTING ELEVATION (1:10)



EXISTING CROSS SECTION



EXISTING ASTRAGAL CROSS SECTION (1:1)

WINDOW No.7 - FIRST FLOOR - REAR ELEVATION

PLANNING ISSUE

HERMITAGE WINDOWS

Client:  
Fraser McLeod  
1 Bamburgh Castle  
Dunbar, EH42 1EN

Title:  
Double Glazed Upgrade  
W7 Bedroom Right Casement  
Existing Elevation / Sections

Scale As Noted	Date April '22
Drawing No. HERM/1BC/W7/BRC/E	