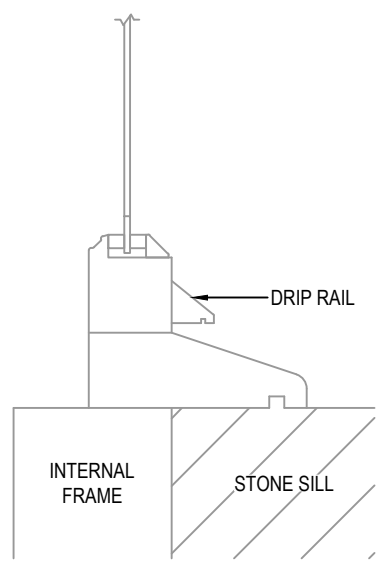
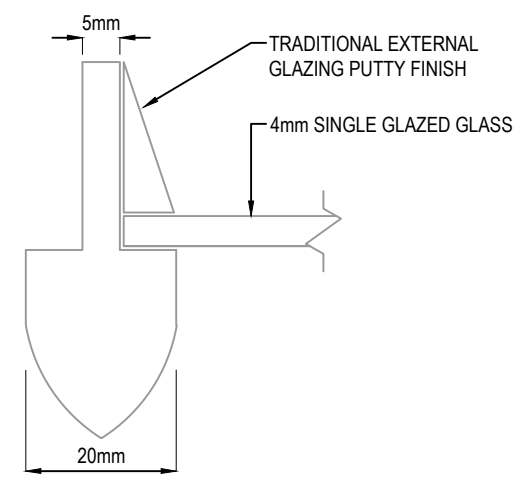


EXISTING ELEVATION (1:10)



EXISTING CROSS SECTION



EXISTING ASTRAGAL CROSS SECTION (1:1)

WINDOW No.5 - FIRST FLOOR - SIDE ELEVATION

PLANNING ISSUE

HERMITAGE WINDOWS

Client:
Fraser McLeod
1 Bamburgh Castle
Dunbar, EH42 1EN

Title:
Double Glazed Upgrade
W5 Bedroom Left Casement
Existing Elevation / Sections

Scale: As Noted Date: April '22

Drawing No.: HERM/1BC/W5/BLC/E