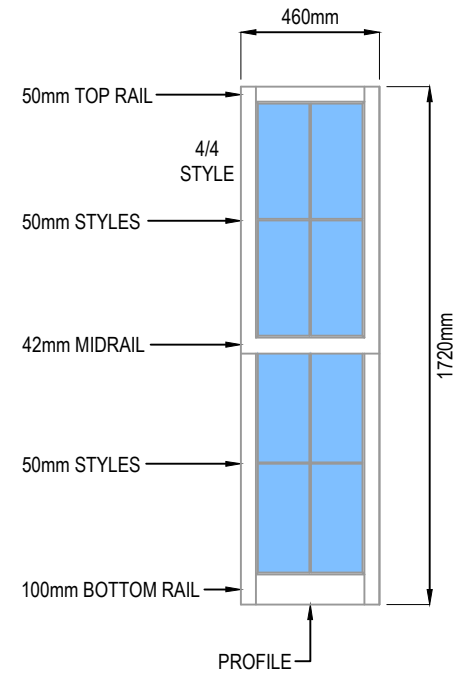
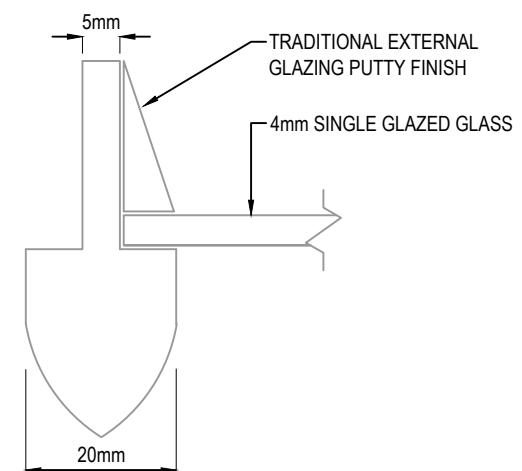


EXISTING CROSS SECTION



EXISTING ELEVATION (1:25)



EXISTING ASTRAGAL CROSS SECTION (1:1)

**WINDOW No.15 - GROUND FLOOR - REAR ELEVATION**

<b>PLANNING ISSUE</b>	
Client: Fraser McLeod 1 Bamburgh Castle Dunbar, EH42 1EN	
Title: Double Glazed Upgrade W15 Stairs Existing Elevation / Sections	
Scale: As Noted	Date: April '22
Drawing No. HERM/1BC/W15/S/E	