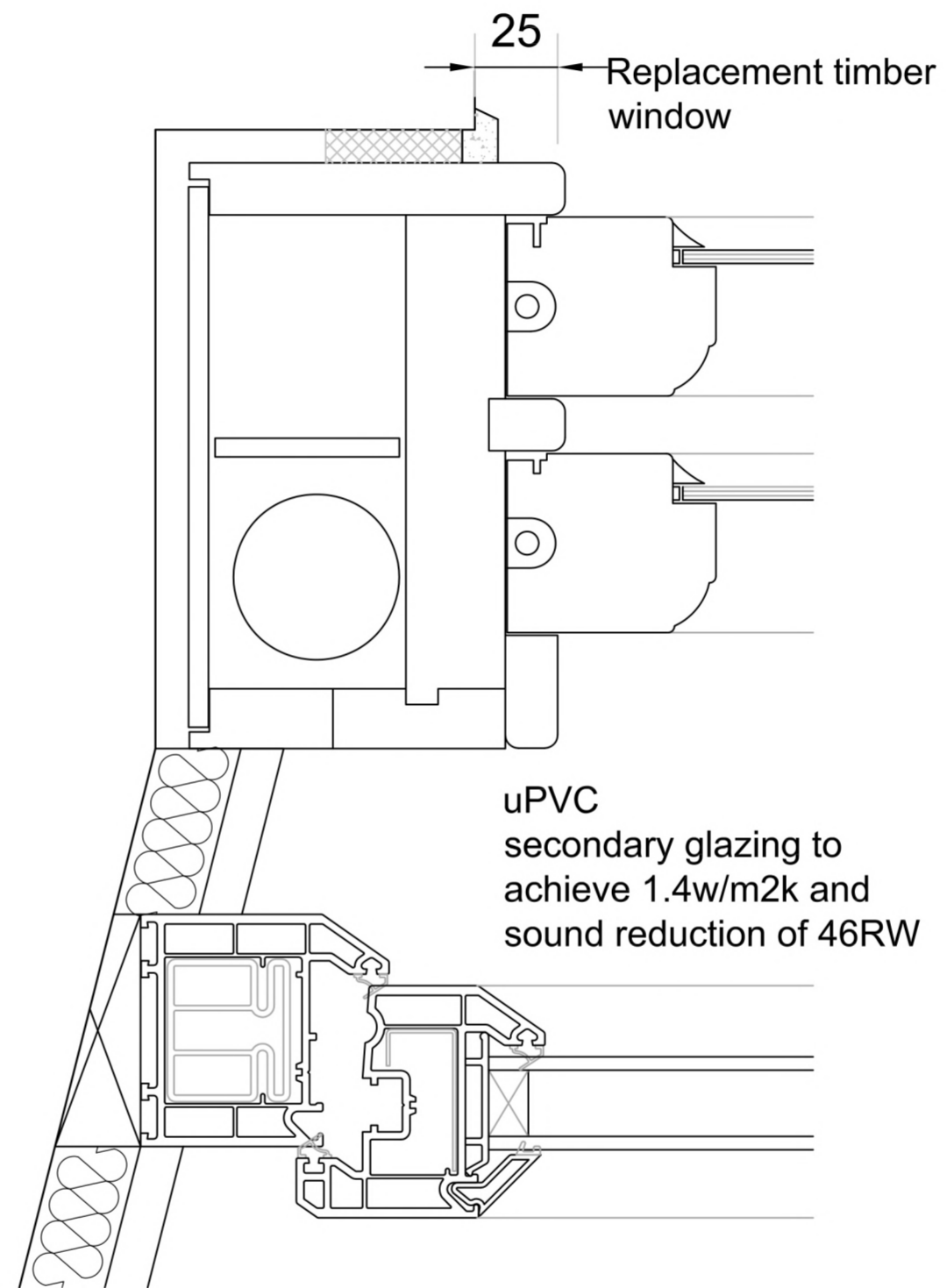


Replacement timber window

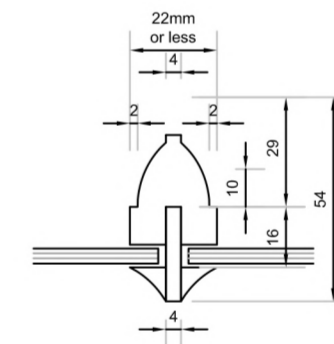
uPVC secondary glazing to achieve 1.4w/m2k and sound reduction of 46RW



Replacement timber window

uPVC secondary glazing to achieve 1.4w/m2k and sound reduction of 46RW

TYPICAL WINDOW JAMB 1:2



ASTRAGAL 1:2

NEIL ROTHNIE ARCHITECTURE
 This drawing cannot be reproduced or used in any way without the express written permission of the aforementioned. All design intent and content is copyright of the aforementioned.
 Written sizes to take preference over scaled sizes, large scale details take preference over small. All dimensions must be checked on site, any discrepancies in drawings to be referred to this office for decision.

REV NO	DESCRIPTION	DATE



NEIL ROTHNIE ARCHITECTURE
 ARCHITECTURE AND DESIGN CONSULTANTS
 73 HUNTLY STREET, ABERDEEN, AB10 1TE
 TEL 01224 624724 FAX 01224 649394
 info@neilrothnie.co.uk www.neilrothnie.co.uk

CLIENT	CATER HOMES	
PROJECT	FLATTED DEVELOPMENT AT 181 UNION STREET	
CONTENT	PROPOSED UNION STREET FRONTAGE WINDOWS PLANNING	
SCALE	1:2@A2	DATE 08/21
JOB REFERENCE	DRAWING PL-31	REV
3201	PL-31	

TYPICAL WINDOW SECTION 1:2