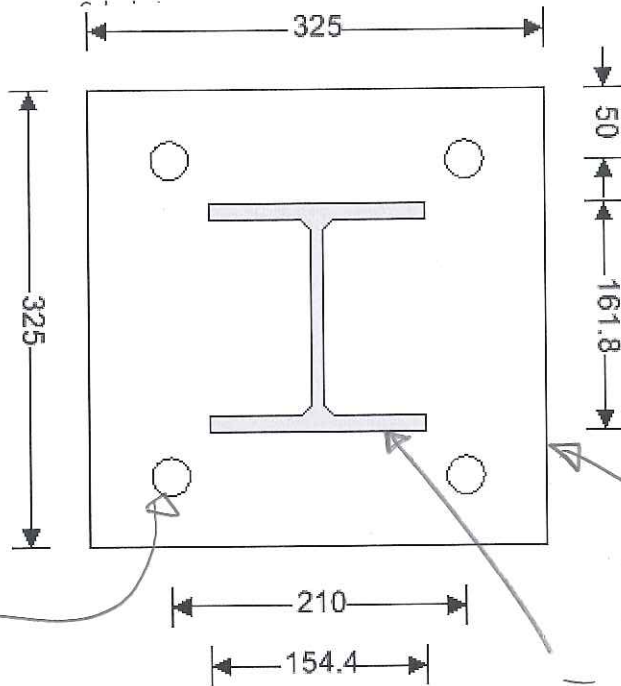


Project *Cribbs Acoustic Fence*

Project no *B05057-SK01*

CALCULATION SHEET

Drawing no



02/05/19.
JE.

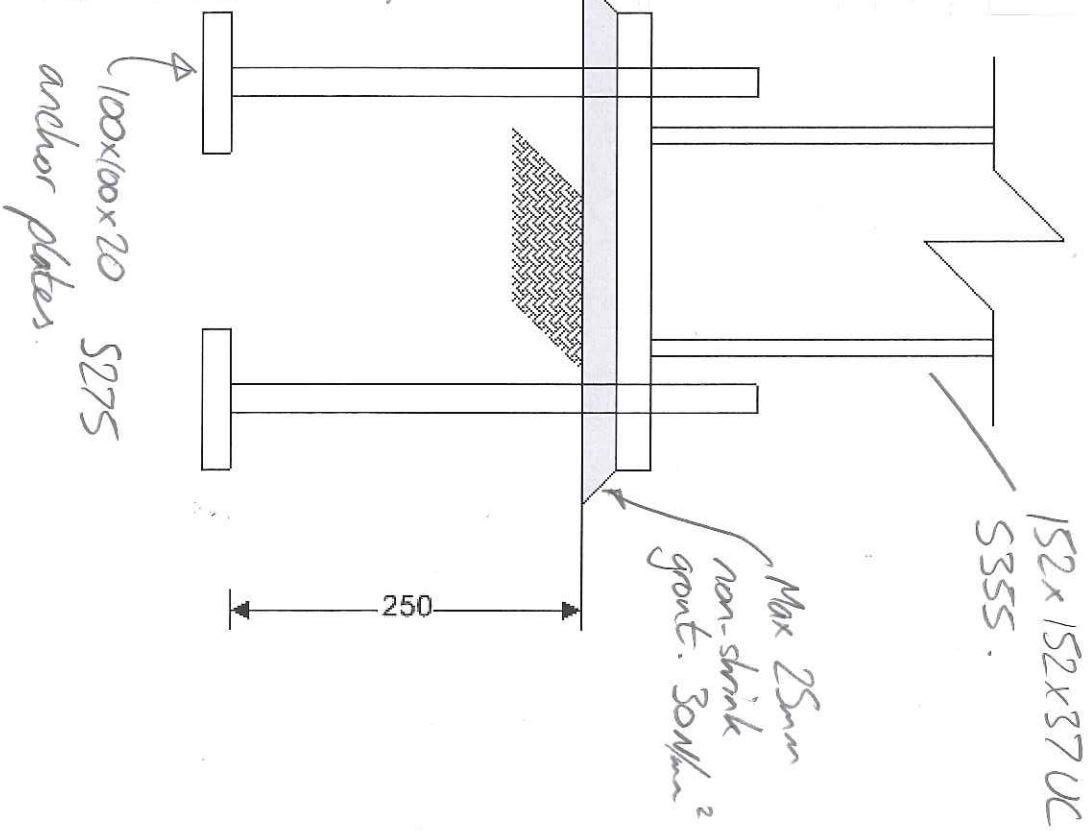
in no

3.9m long column baseplate & HD bolt details.
Also use for 2.9m & 1.9m columns.

*4 No M24
grade 8.8 bolts.*

*25mm thick
baseplate, S355
10mm EPFM.*

*25N/mm²
RC pad
foundation.*



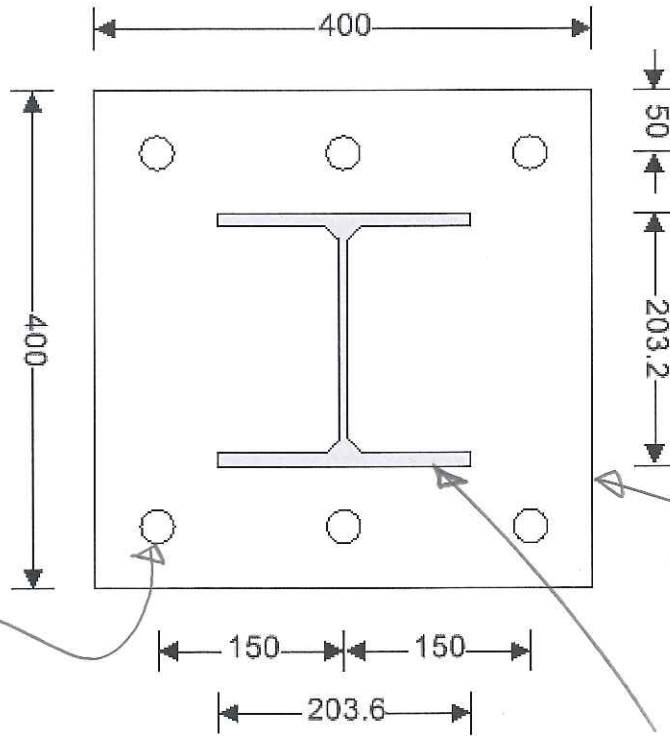
*100x100x20
S275
anchor plates.*

*Max 25mm
non-shrink
grout. 30N/mm²*

*152x152x37 UC
S355.*

Project *Cribbs Acoustic Fence* Project no *B05057-SK02* CALCULATION SHEET

02/05/19.
JE



*6 No M24
grade 8.8 bolts.*

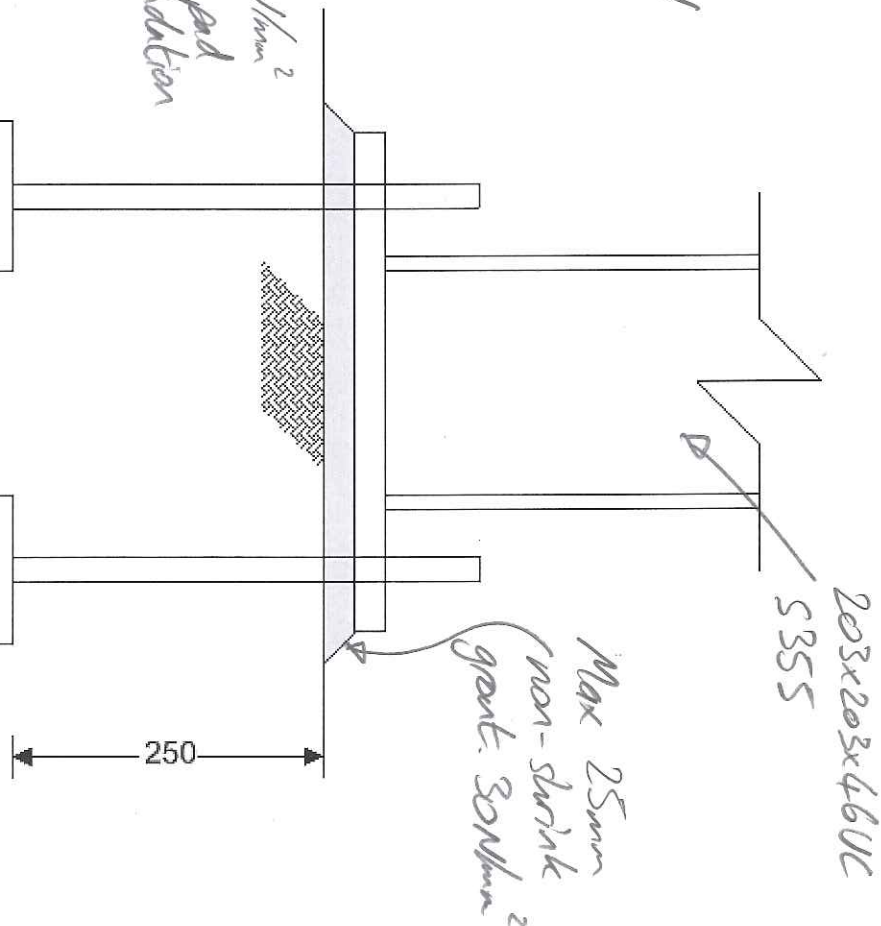
*25mm thick
baseplate, S355*

10mm PPEW

4.9m long column baseplate & HD bolt details.

*25 N/mm²
RC pad
foundation*

*120x120x20 S275
anchor plates*



*203x203x46 UC
S355*

*Max 25mm
non-shrink
grout. 30N/mm²*

on no