

- Notes :
- Dimensions are to be checked on site before fabrication and construction
 - Any discrepancies are to be immediately notified to the architects
 - Structural measurements are to be taken from the structural engineers drawings
 - Do not scale
 - Copyright reserved by LAB 4D

REVISION :	
Description	Date
A -XXXXXX	01.01.21
Description	Date
B -XXXXXX	01.01.21
Description	Date
C -XXXXXX	01.01.21

SMOKE DETECTION
 L1 DETECTION AND ALARM SYSTEM IS RECOMMENDED THROUGHOUT THE BUILDING.
 IN ACCORDANCE WITH THE RECOMMENDATIONS OF BS 5839-1, THE FIRE ALARM AND DETECTION ENGINEER MUST SUBMIT THE DESIGN CERTIFICATE FOR THE SCHEME TO THE APPROVING AUTHORITY PRIOR TO COMMENCEMENT OF THE INSTALLATION ON SITE.

Christopher Melvin
 Architecture & design

Drawing issue status
PLANNING

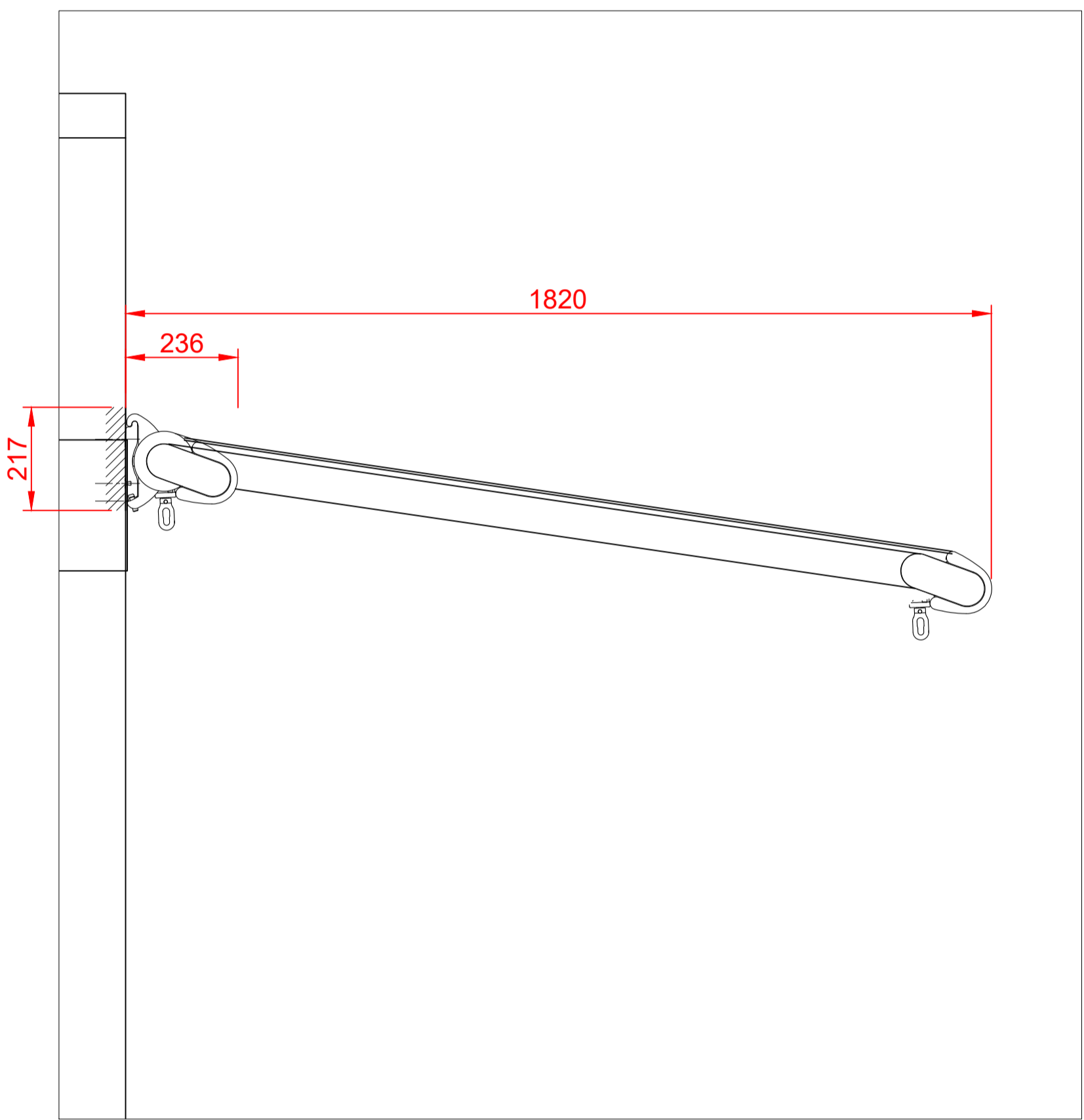
Client
BOBBY SINGH

Project
3 FALCONS HOTEL
 1 Orchard St,
 St Johns Wood,
 London,
 NW8 8NG

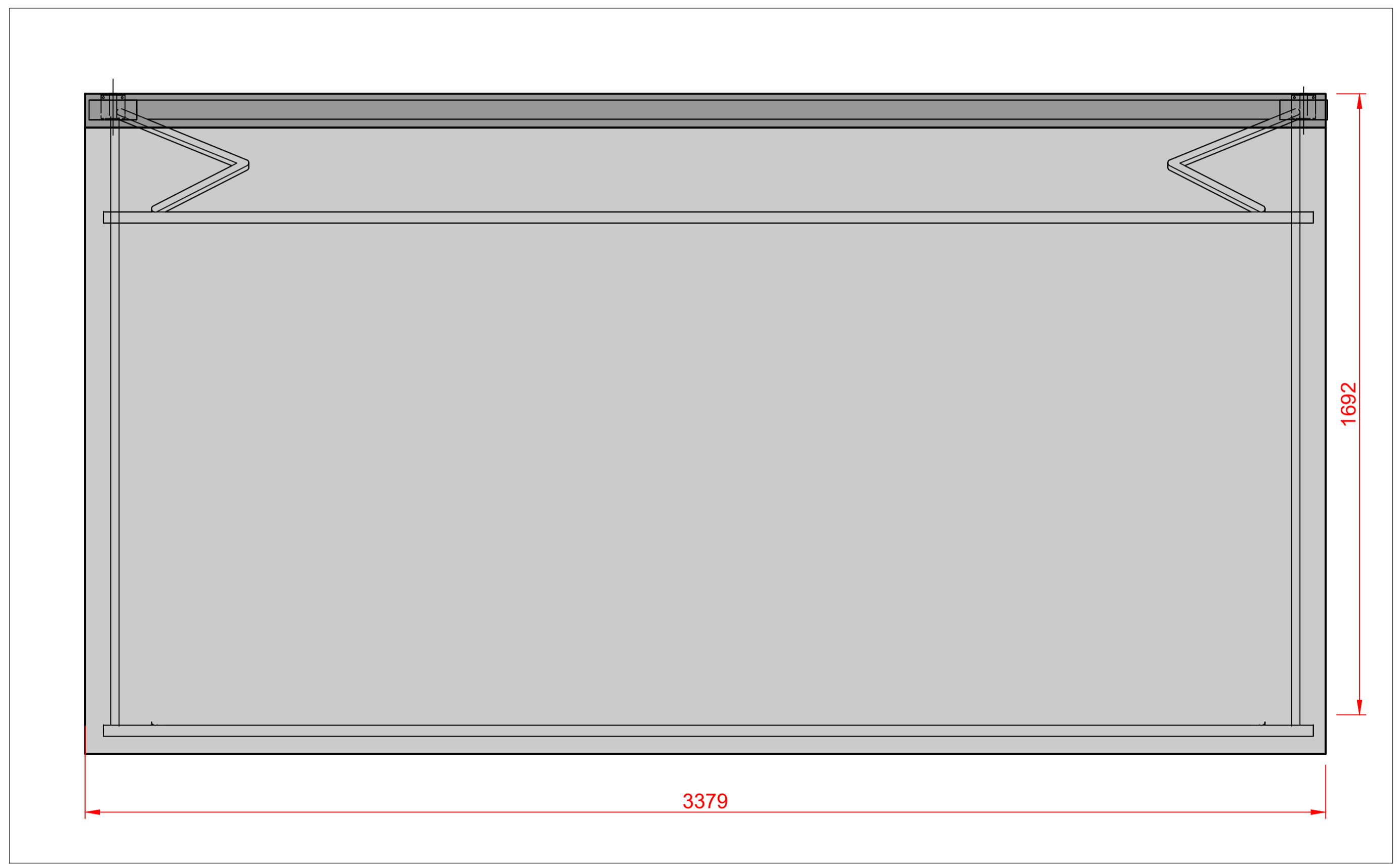
Drawing
AWNING DETAIL

Scale	Date	Drawn	Checked
1:100@A1	19.09.21	CM	CM
1:200@A3			

Project	Client	Drawing No
3F	BS	3F EL003 REV -



1 AWNING DETAIL BOX HOUSING SECTION
 SCALE 1:10@A1 1:20@A3



2 AWNING DETAIL PLAN
 SCALE 1:10@A1 1:20@A3