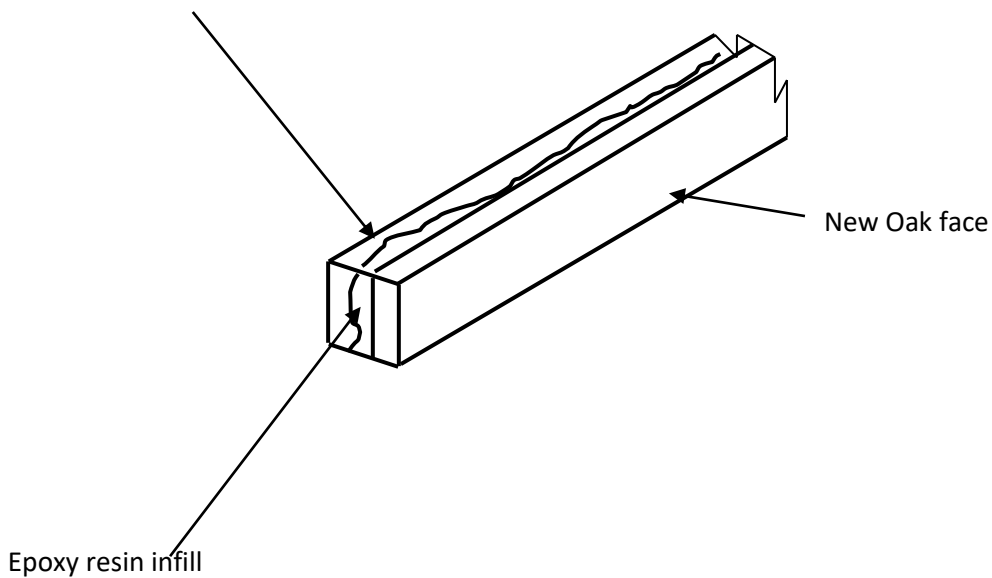


## TYPICAL HORIZONTAL OR VERTICAL REPAIR

---

Cut back to sound timber

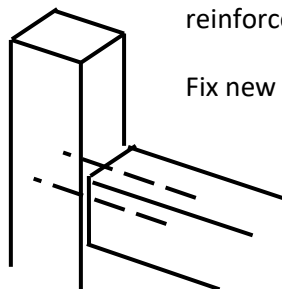
Apply epoxy resin to consolidate surface



Cut back to sound timber if required

Cut slots and Install fibreglass or steel reinforcement

Fix new timber section as above if required



**Joint Repair**