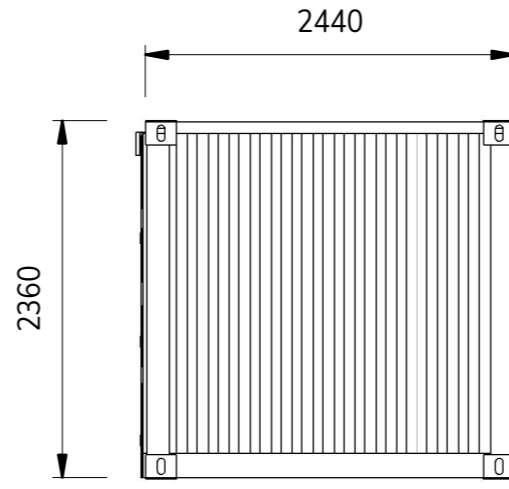


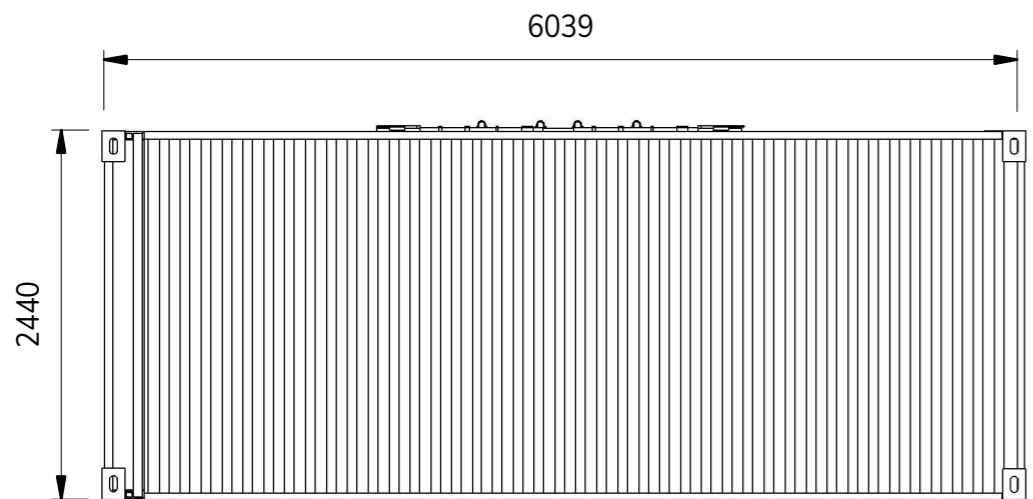
Front Elevation

Scale - 1 : 50



Side Elevation

Scale - 1 : 50



Container Plan

Scale - 1 : 50

P01	15/02/22	Preliminary Issue
Rev	Date	Description

PRELIMINARY

NELSON'S BUREAU

Address: 4 Teign Close, Peterlee
Co. Durham, SR8 1EW
Contact: Email inelson@nelsonsbureau.com
Mobile 07307238283

CLIENT

Ibrahim & Victoria

PROJECT

The Dun Cow, DH4 1DY
Car Wash

TITLE

Container Unit Elevations

DRAWN BY	Author	PAPER SIZE	A3
CHECKED BY	Author	SCALE	1 : 50

1077 -NB-P-XX-DR-A-2002