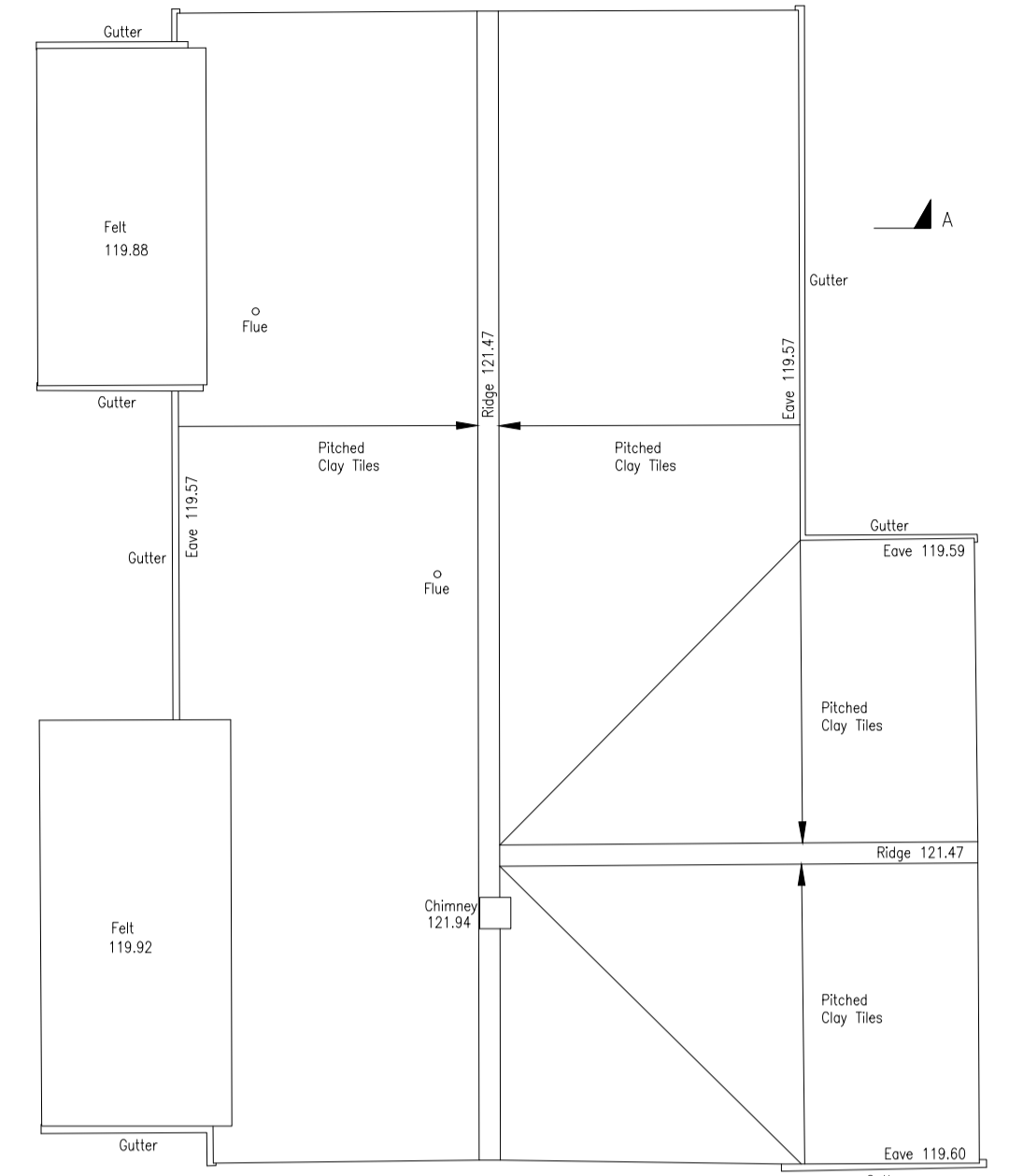
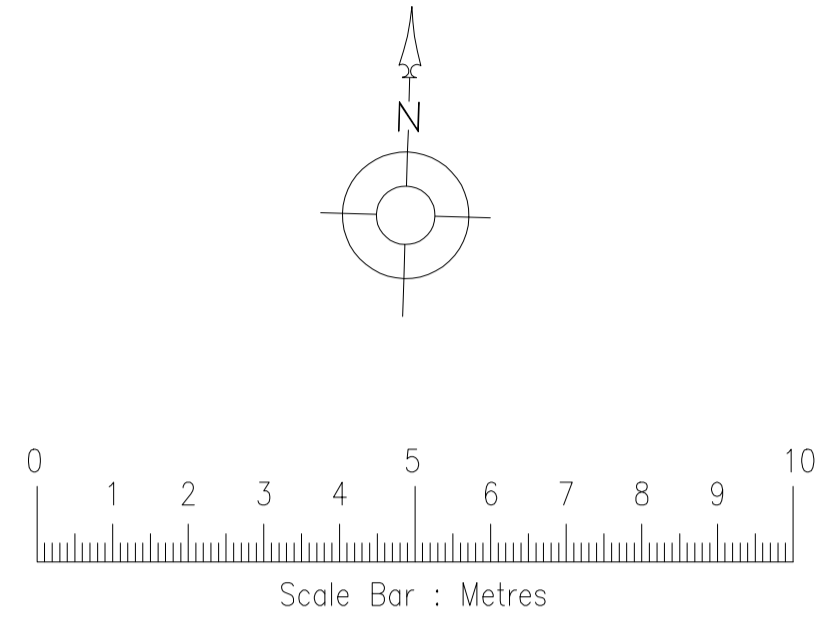
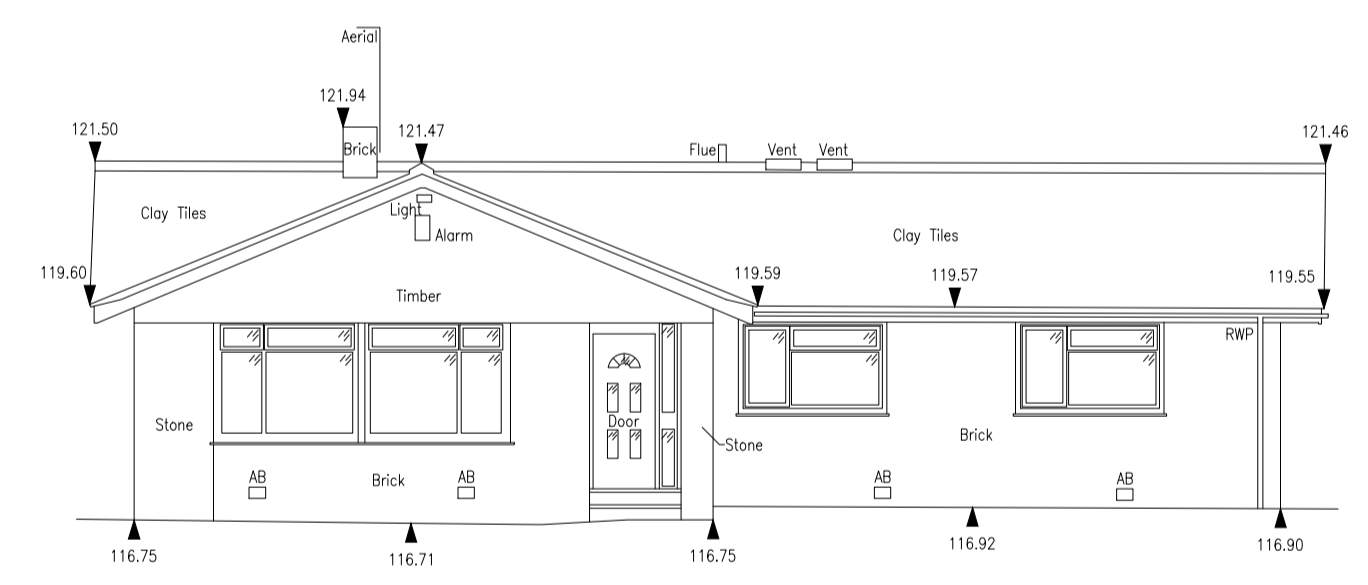


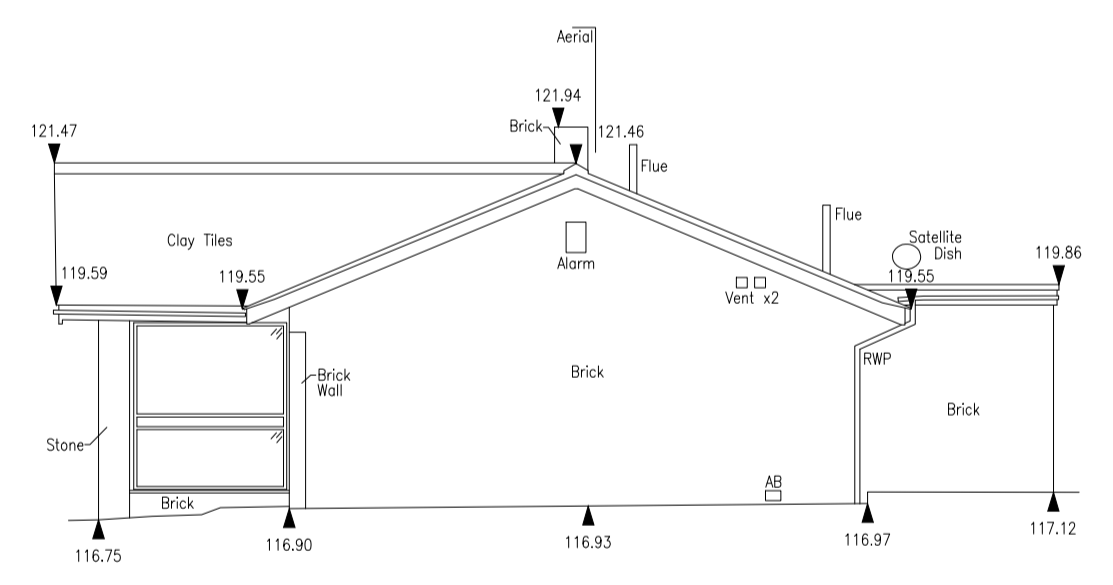
GROUND FLOOR PLAN



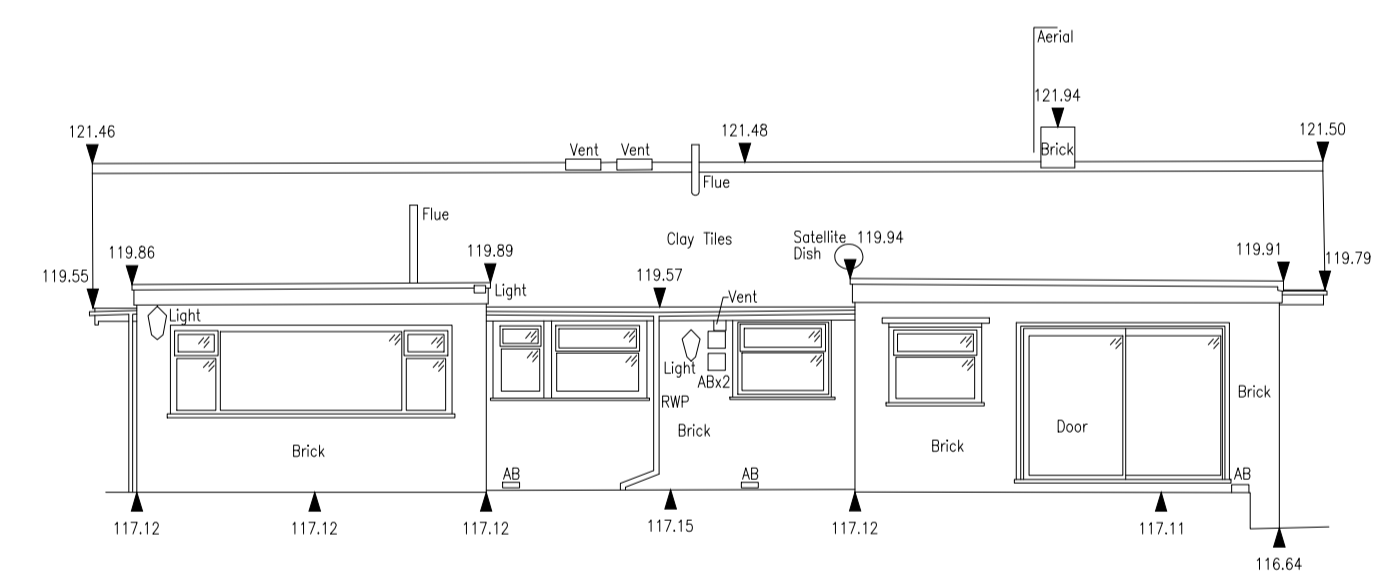
ROOF PLAN



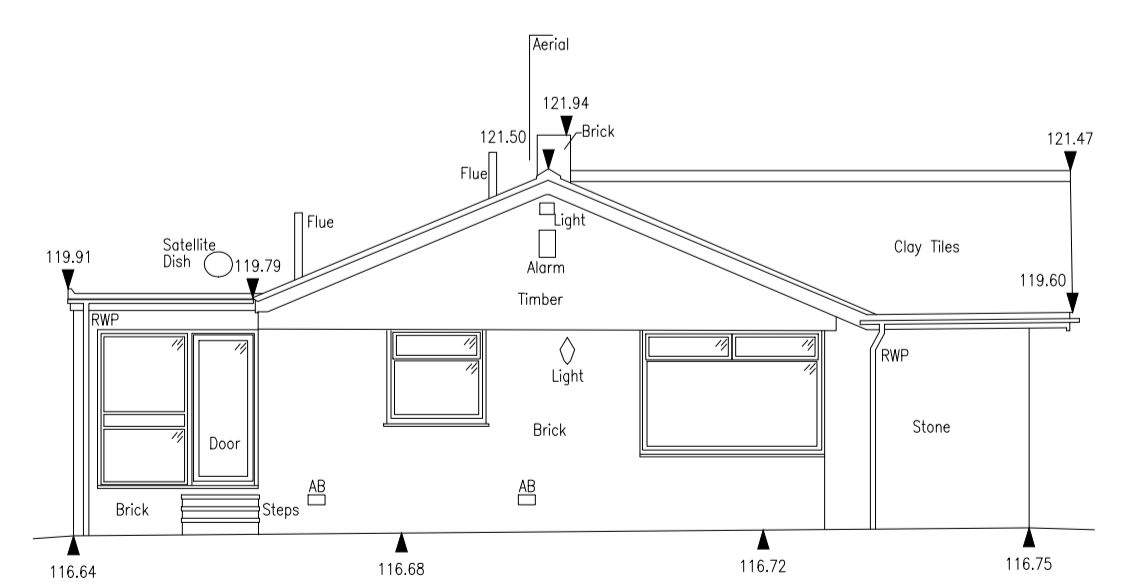
ELEVATION 1



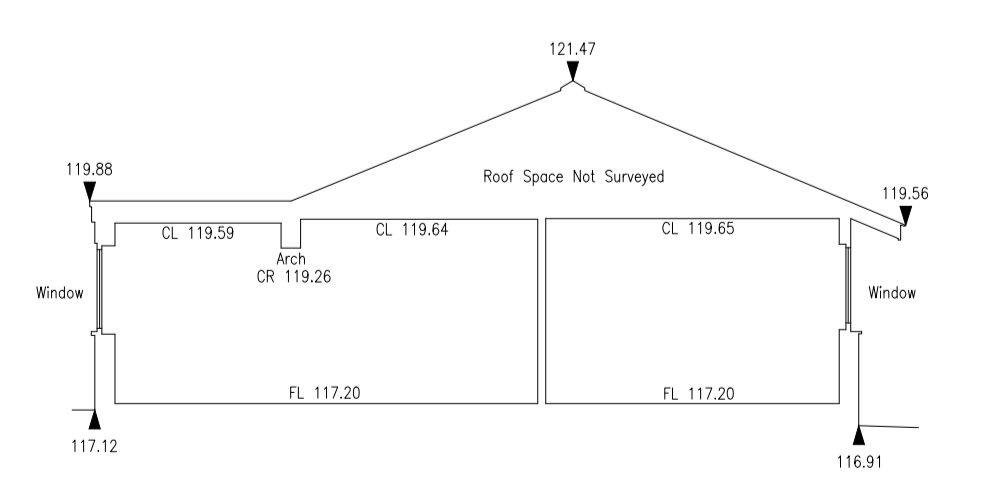
ELEVATION 2



ELEVATION 3



ELEVATION 4



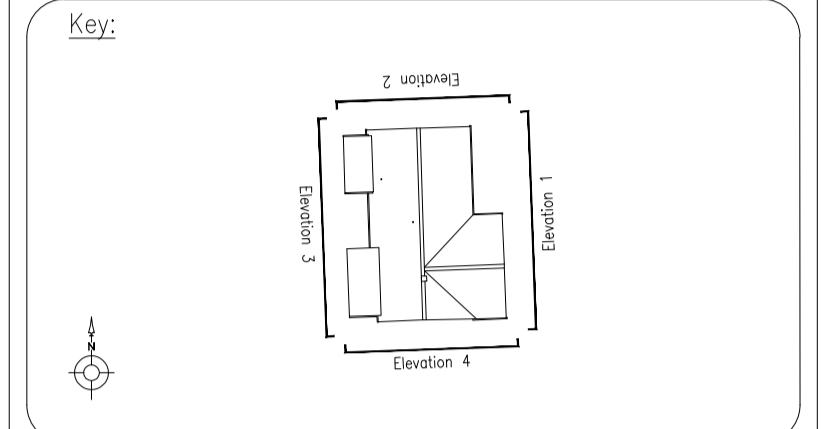
SECTION A - A

Legend:

Abbreviated Features:	Symbols:	Legend:
AB Air Brick	LI Light	Radiator
B Bifold	O/F Overflow Pipe	Light
C/B Close Boarded	P Plaster	Emergency Light
C-H Cill to Head	P/C Pitched Ceiling	Strip Light
CL Chain Link	PE Pipe	Wall Mounted Light
CL Ceiling Level	P/R Pitched Roof	Mains Point
CPO Cupboard	P/W Piped & Wired	Blank Plate
CR Crown Point Level	RS Roller Door	Light Switch
DH Door Height	RE Rooding Eye	Pendant Switch
Dr Drain	RWP Rainwater Pipe	Isolator Switch
FE Fire Exit	SD Sliding Doors	Alarm Bell
F-C Floor to Cill	SSC Suspended Ceiling Level	Fire Alarm Push
FL Floor Level	SP Spring Point Level	Smoke Detector
FW Foul Water	SW Soil & Vent Pipe	Alarm Panel
MH Manhole	SW Surface Water	Fire Alarm Push
G Gully	UL Underdrain	Smoke Detector
IC Inspection Chamber	UL Unable to Lift	Alarm Panel
I Invert Level	VP Vent Pipe	Thermostat
I/R Iron Railings	VI Vent	Modem
		Fuse Box
		Electric Box
		Water Stop Tap
		Overhead Features

Plan Coordinate Control:-
N/A

Level Datum:-
All Levels relate to OSGB36 using GPS



Notes:

REV	NO	NOTE	DATE	SIGNED

3 Brookfield, Duncan Close,
 Moulton Park, Northampton, NN3 6WL
 Tel: 01604 491543
 Email: info@globalsurveys.co.uk

Site:	50 Ecton Lane Sywell NN6 0BA
Client:	Archi-Tec Architectural Design Ltd
Survey Title:	Measured Building Survey Floor Plan, Roof Plan, Elevations & Section

Date	March 2022	Scale	1/100 @ A1
Dwg No.	21853-MBS	Surveyor	SJH
Sheet	1 of 1	Checked	GD