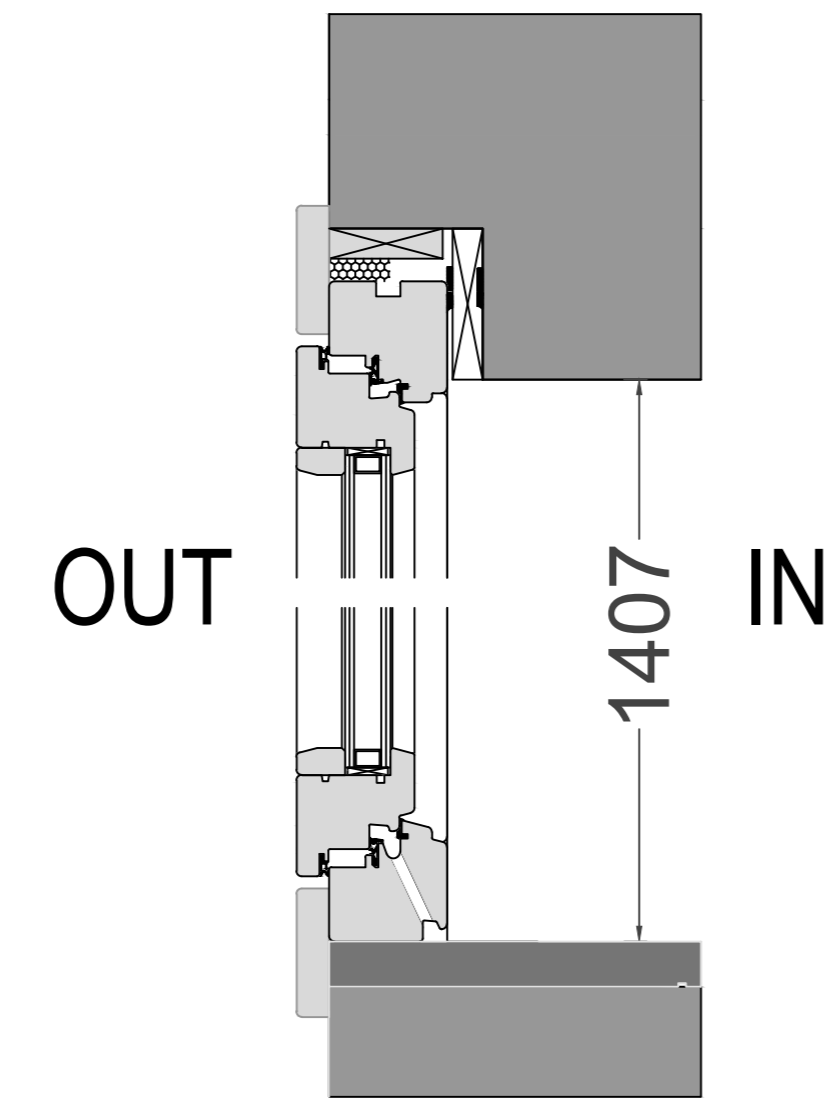
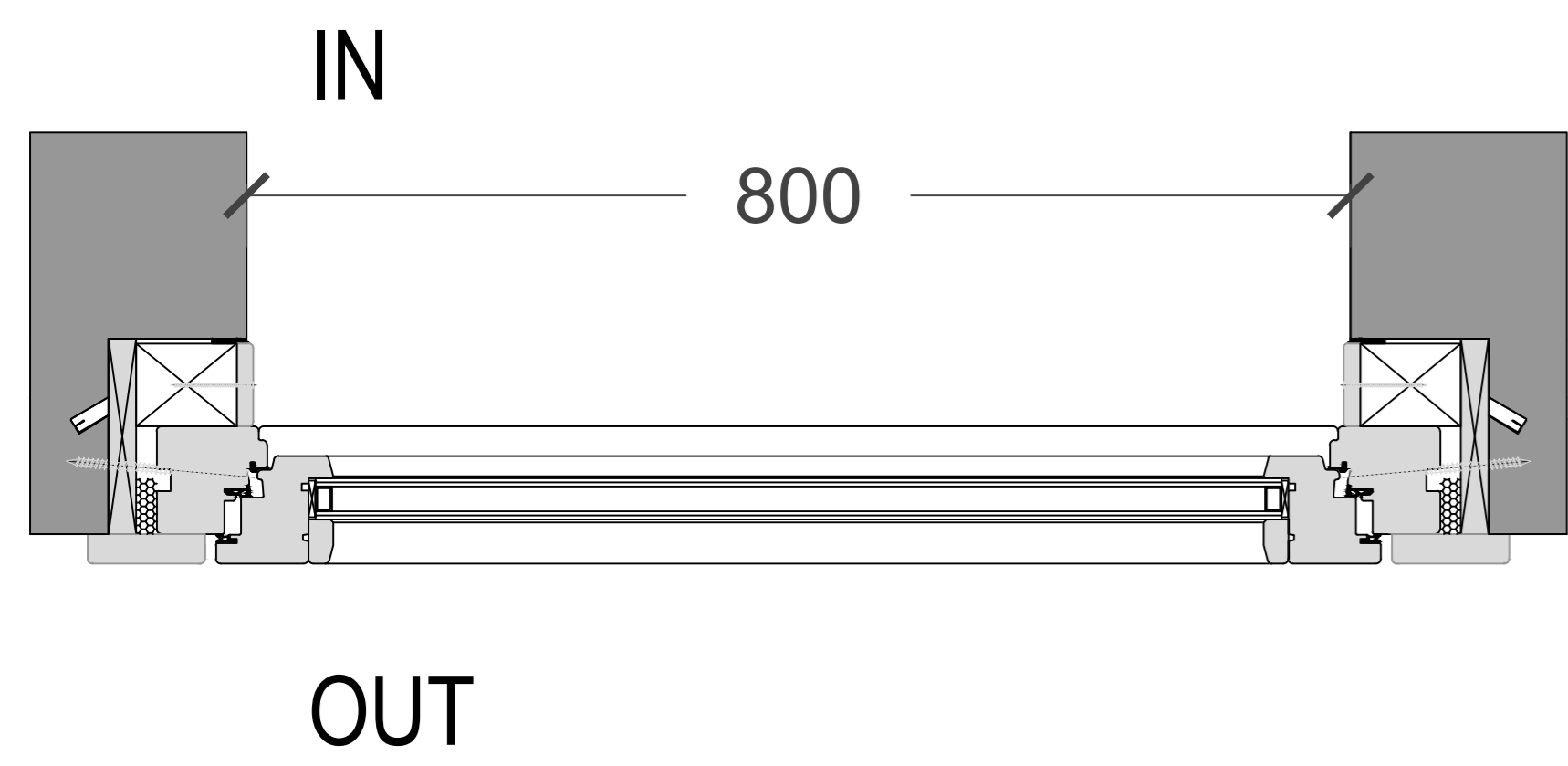
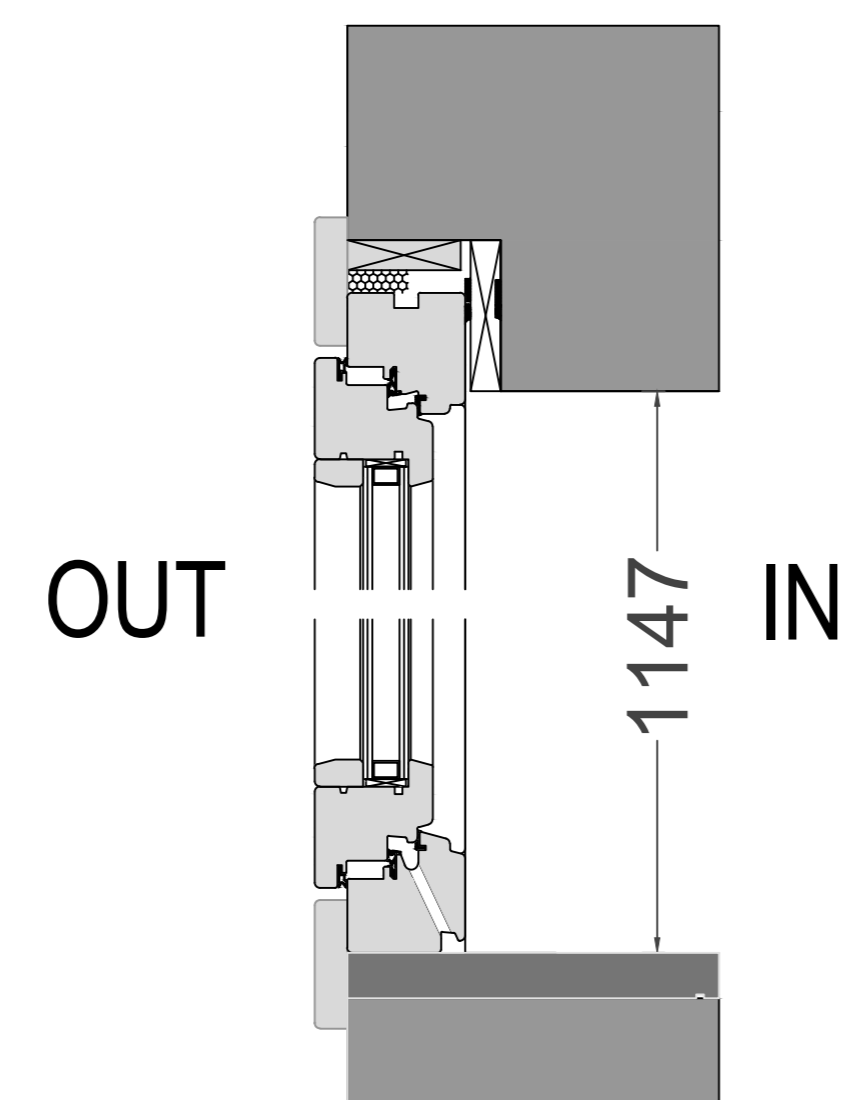
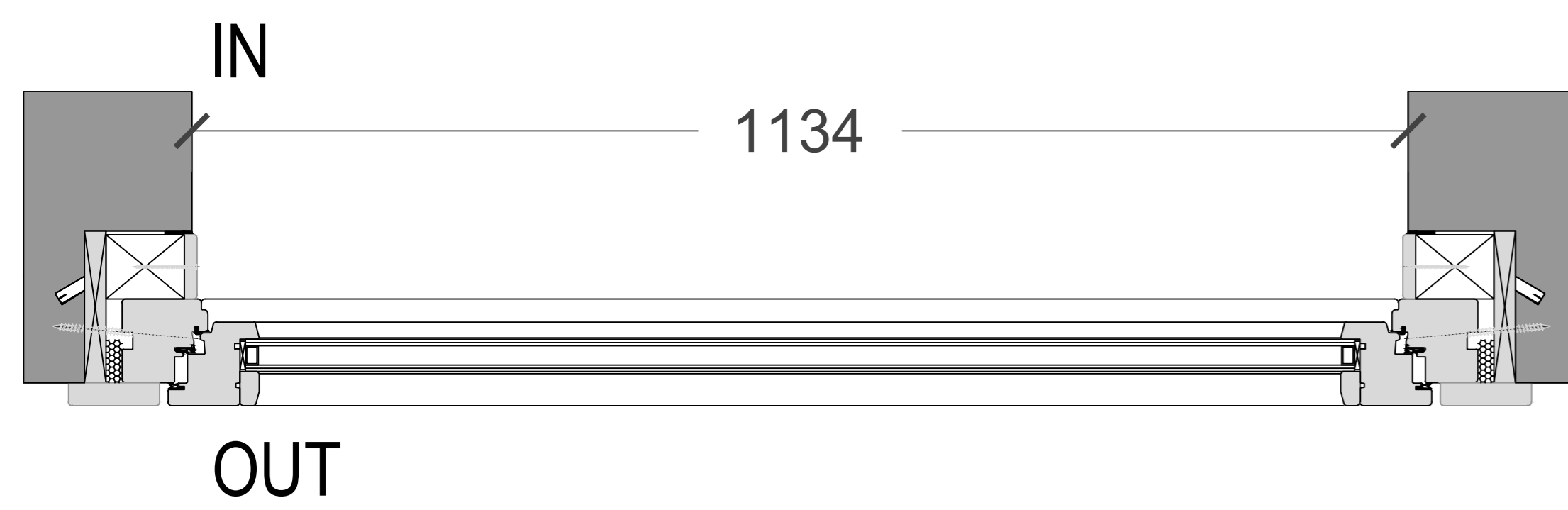


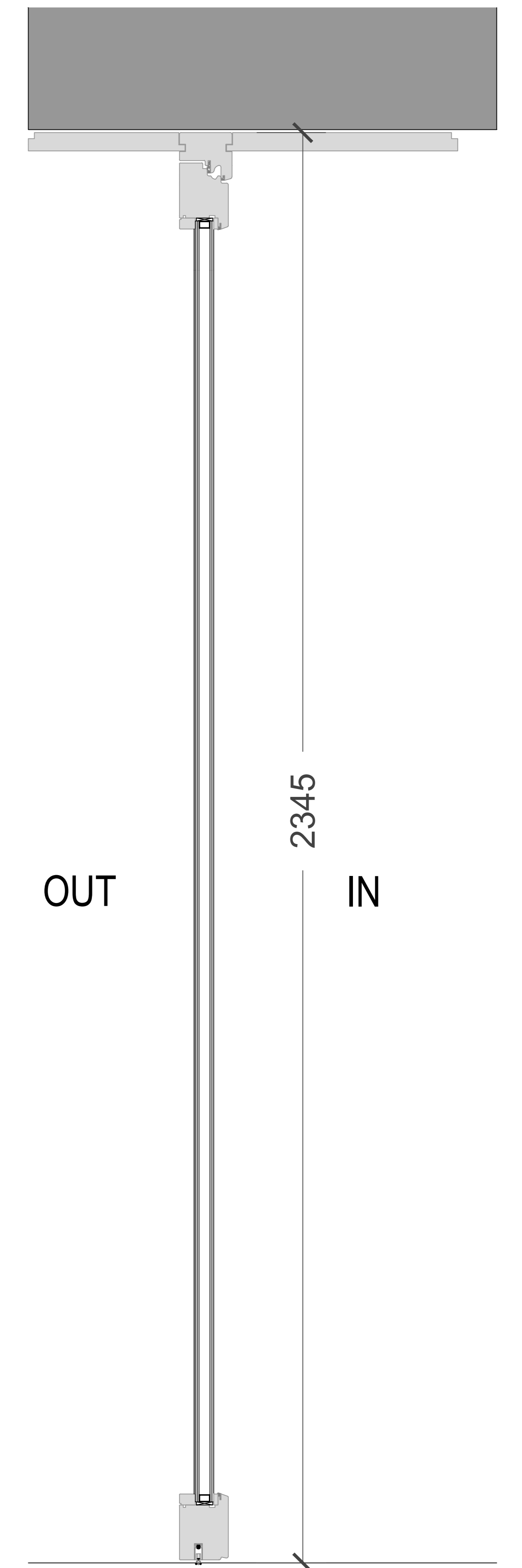
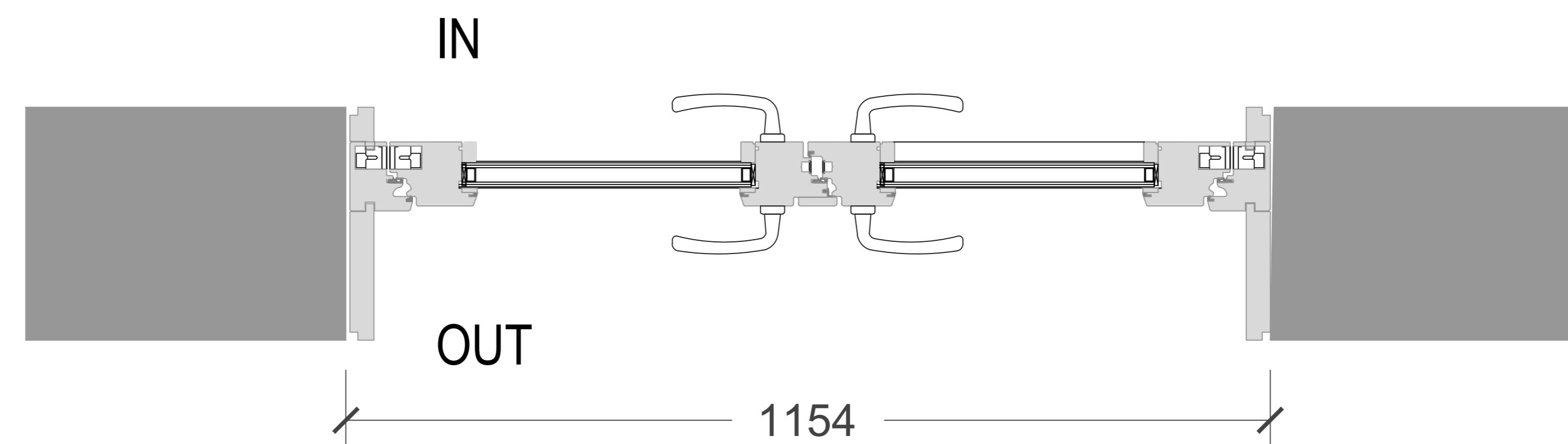
Windows WB11 – WA07



Windows WB19 – WA20



Window B09



Doors DA08 – DA09



Client Approval Signature

Local Architect Signature

Project consultants

Revision

index	date	status	design	control	approval

designer
Skinner and Skinner
Studio 5
5 Alexandros Avenue
49100, Corfu, Greece
www.skinnerandskinner.co.uk
Tel: (+30) 6977084501



Project
Weppons House
Site
Chanctonbury Ring
oggetto / subject
Measured building
survey

drawing object
Proposed Windows and 012
Doors Details
drawing N°
12
date
09.05.2022

digital file index
sheet size/designer
A0 DK
scale
sheet N°
1:5