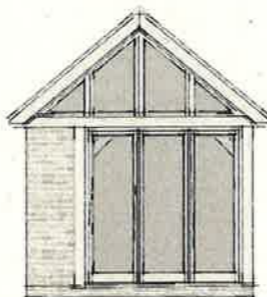
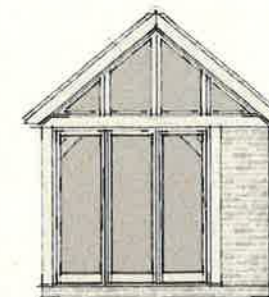


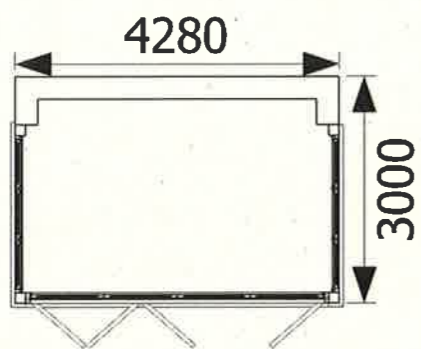
PROPOSED SOUTH-EAST ELEVATION



PROPOSED SOUTH-WEST ELEVATION



PROPOSED NORTH-EAST ELEVATION



PROPOSED FLOOR PLAN



PROPOSED NORTH-WEST ELEVATION



PROPOSED ROOF PLAN

