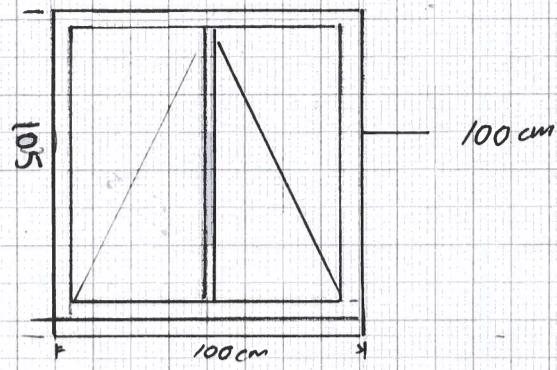
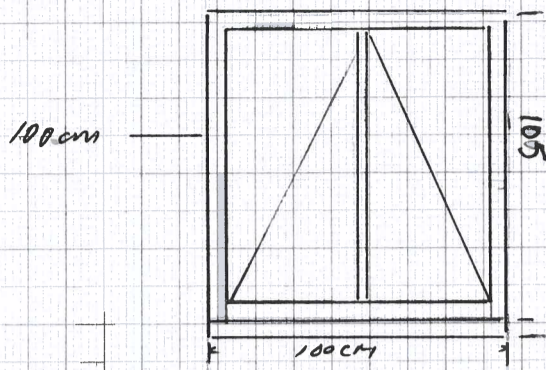


Proposed Front Elevation

Dimensions in cm



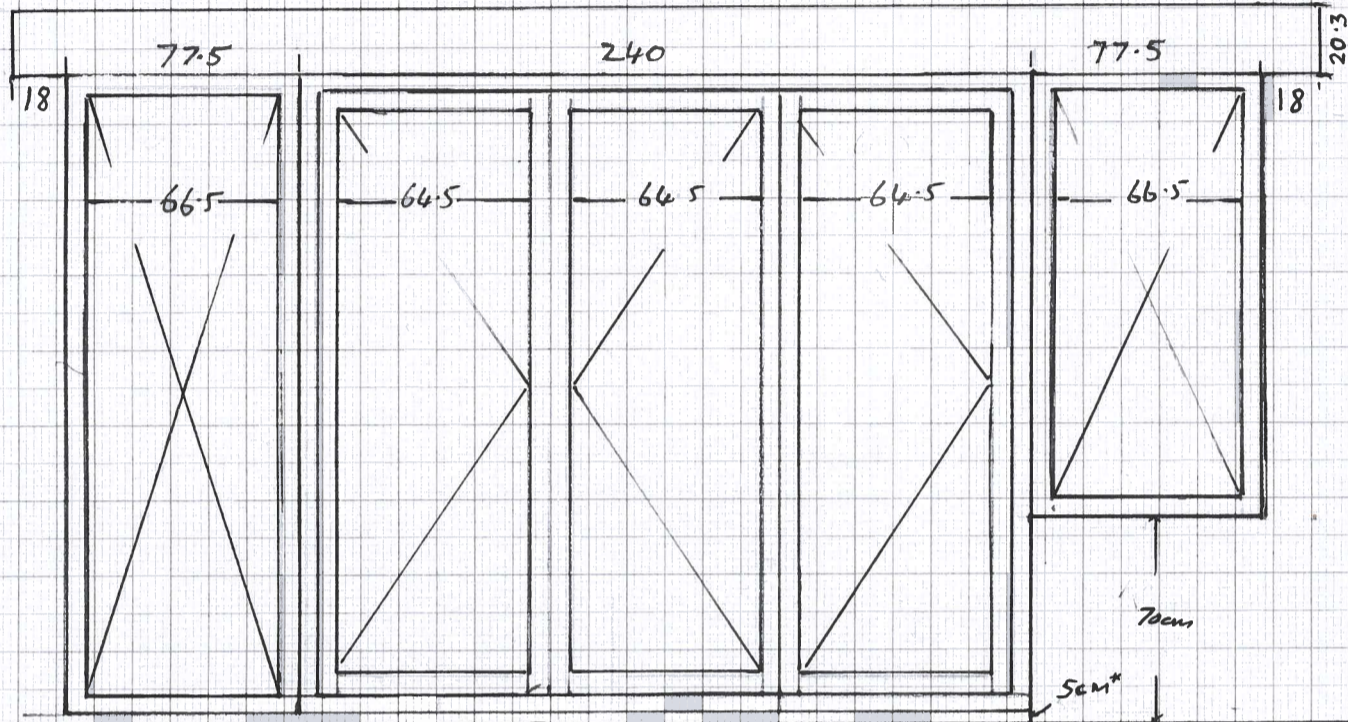
new cills
6.5cm Stone

all glazing
24mm double
glazed

opening is 390cm with 18cm support both ends
Universal beam x2, 20.3 x 10.2 x 23 Kg/m

Tri folding
doors and
fixed end
Windows in
aluminium

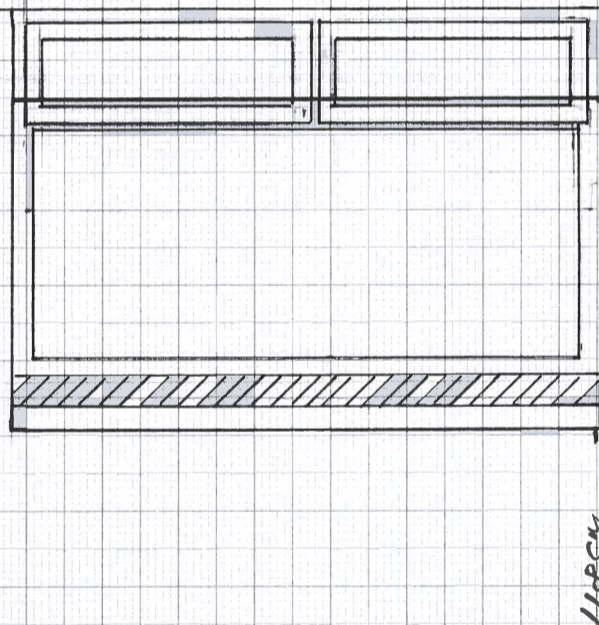
* INTERNAL
FLOOR
LEVEL



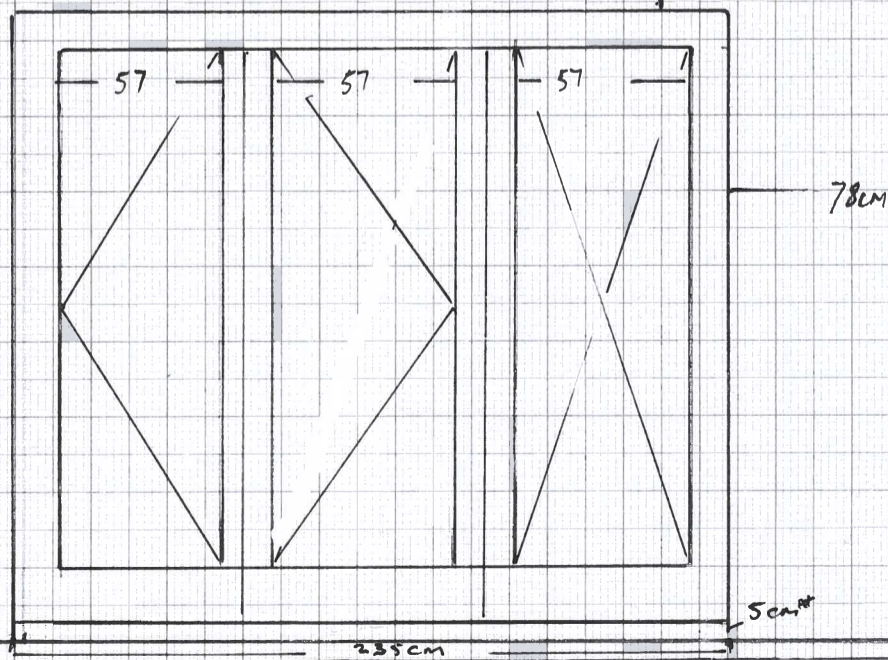
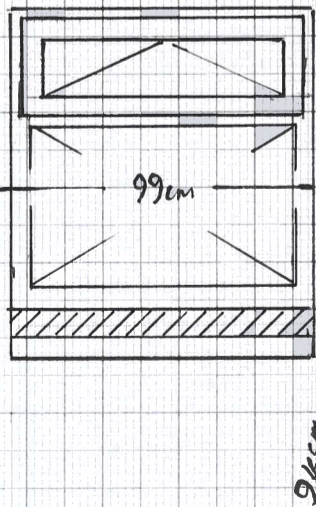
DPC

GROUND
LEVEL

Bottom
of fascia
Bozld



Window Sill
Side
profil
concrete



DPC

GROUND
LEVEL

Existing Front Elevation

Scale 1:50