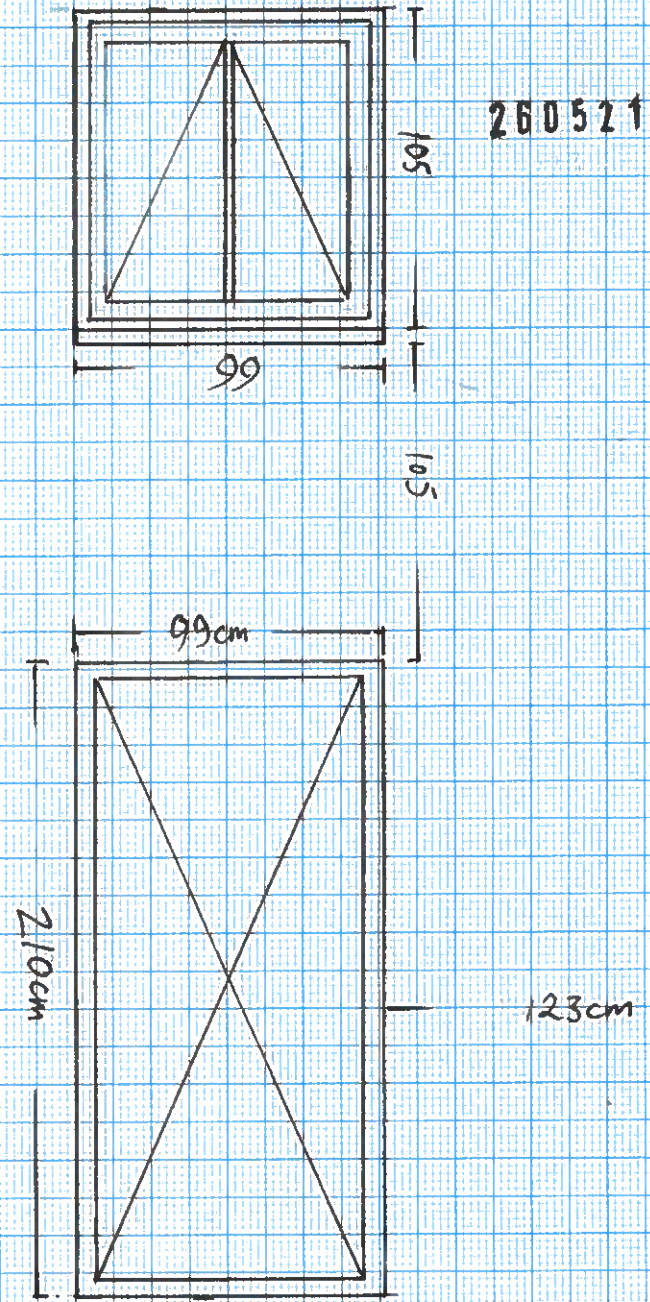


Proposed Extension Gable
Scale 1:50

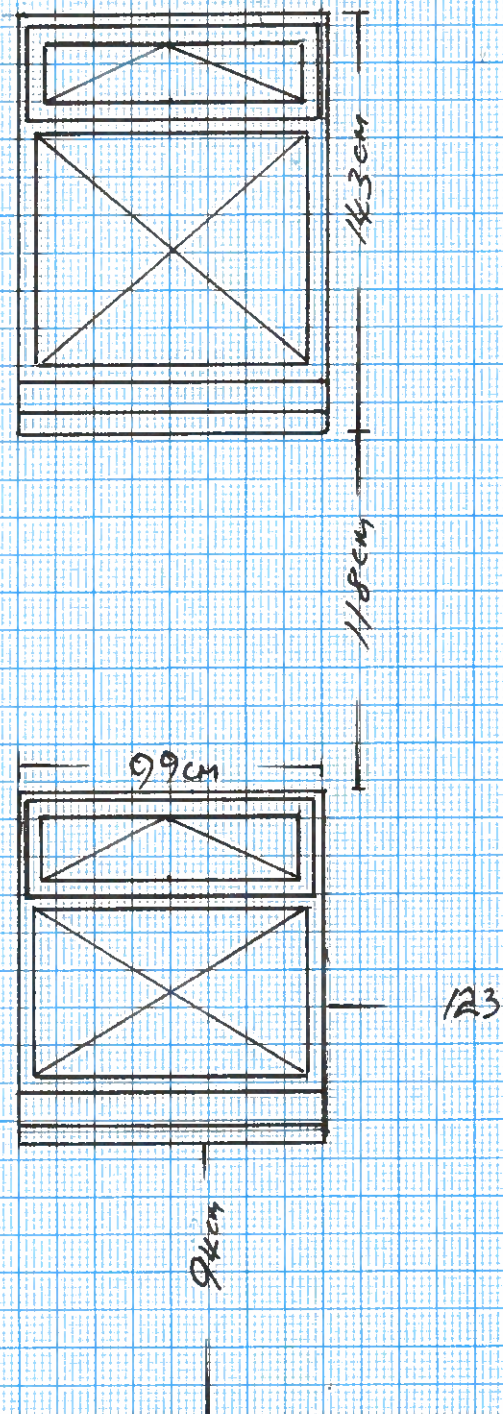


Window
Timber
Construction
24mm DBL
glazed

6.5cm
stone
cill

Window
aluminium
frame
24mm DBL
glazed

Existing Gable Extension
Scale 1:50



Concrete
existing
cill

