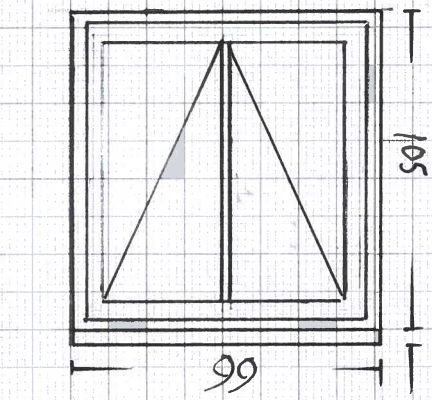


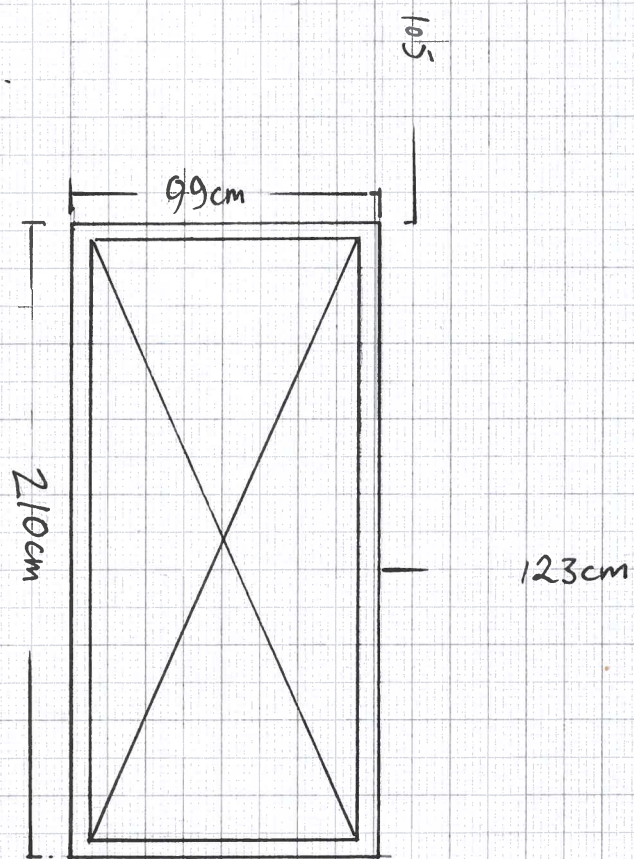
Proposed Extension Gable

Scale 1:50



Window
timber
construction
24mm DBL
glazed

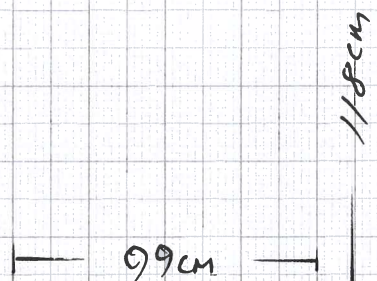
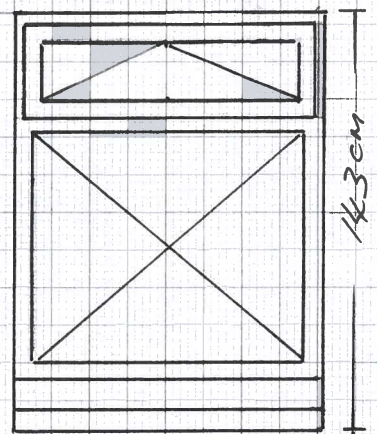
6.5cm
stone
cill



Window
aluminium
frame
24mm DBL
glazed.

Existing Gable Extension

Scale 1:50



Concrete
existing
cill

