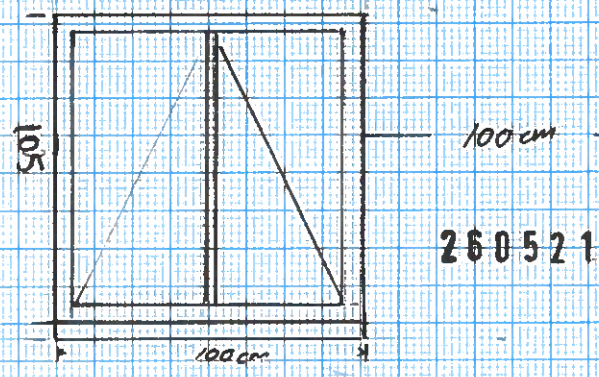
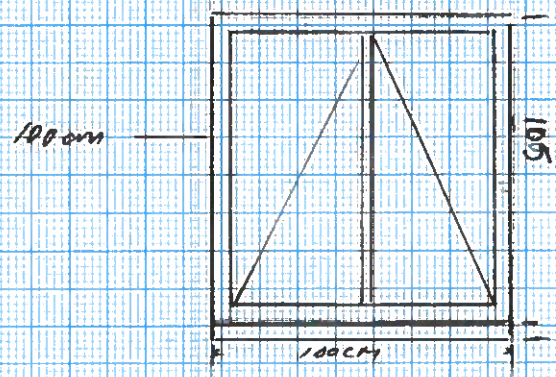


# Proposed front elevation

Dimensions in cm

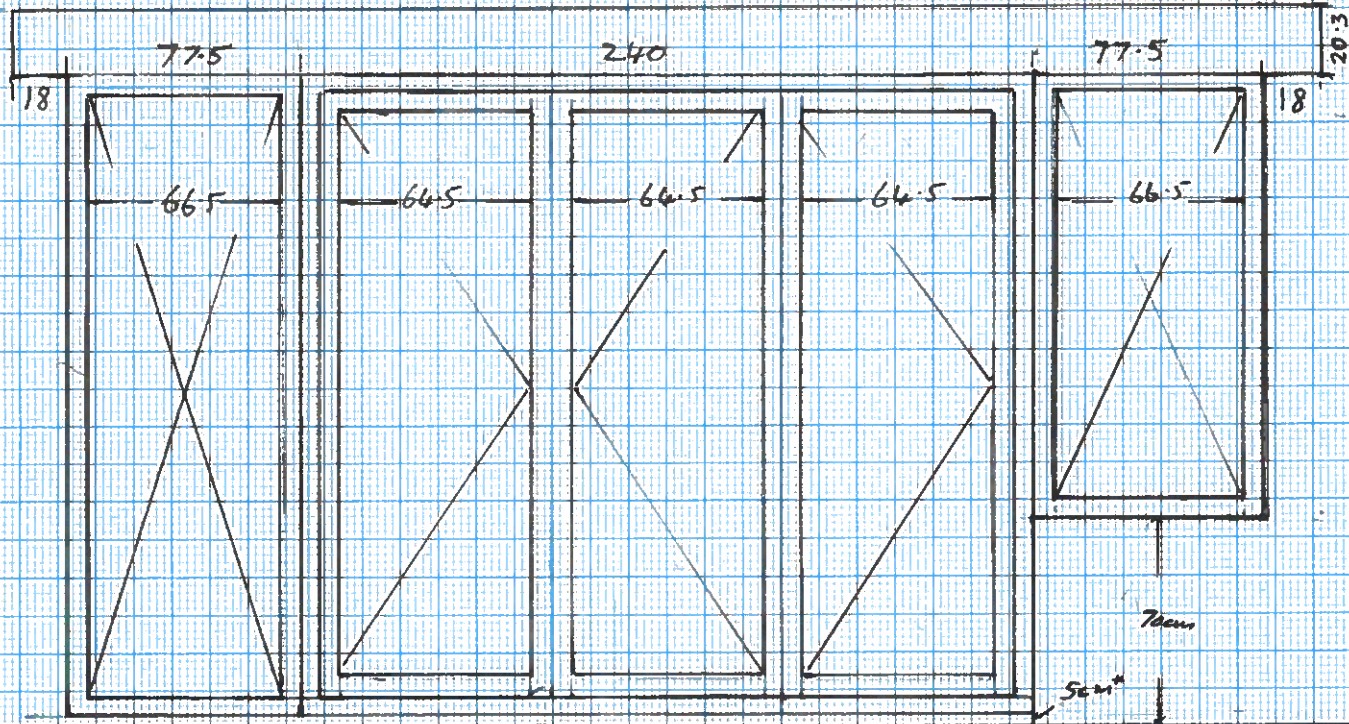


new calls  
6-5cm Stone

all glazing  
24mm double  
glazed

opening is 390cm with 18cm support both ends  
Universal beam x2, 20.3 x 10.2 x 23 Kg/m

Tri folding  
doors and  
fixed end  
windows in  
aluminium

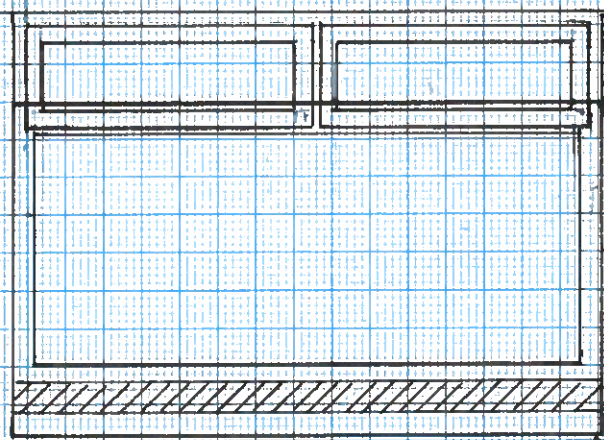


\* INTERNAL  
FLOOR  
LEVEL

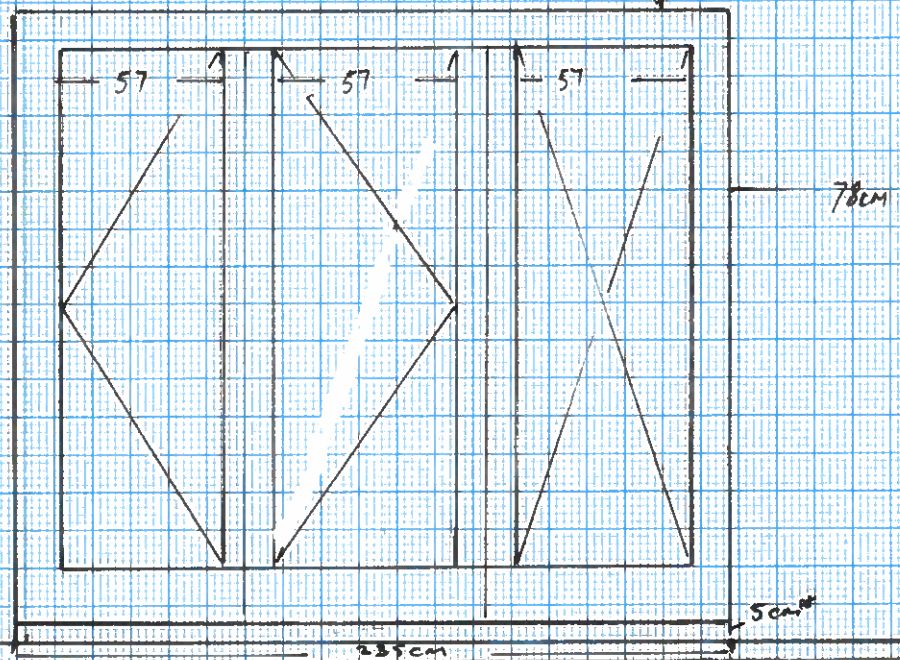
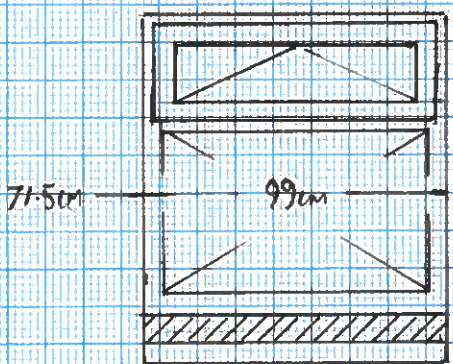
DPK

GROUND  
LEVEL

Bottom  
of fascia  
boards



Window Sill  
Side  
Profile  
Concrete



GROUND  
LEVEL

DPK

# Existing Front Elevation

Scale 1:50