

# Comments

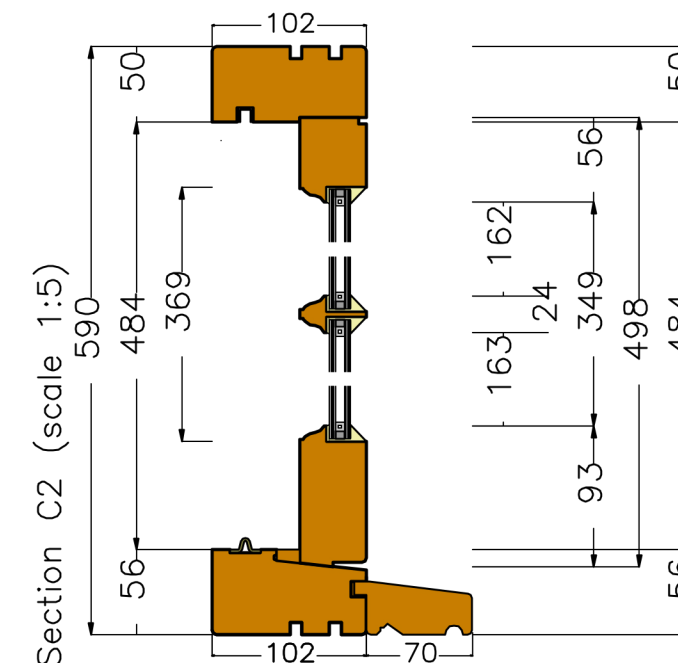
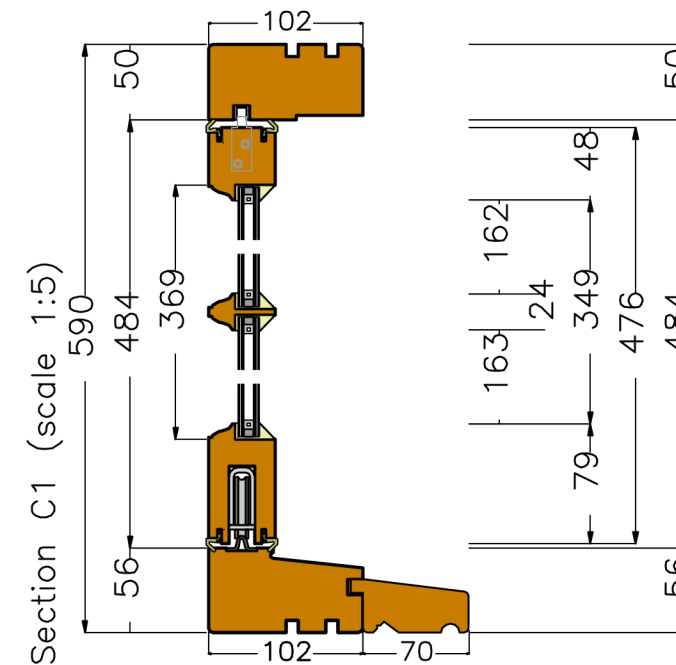
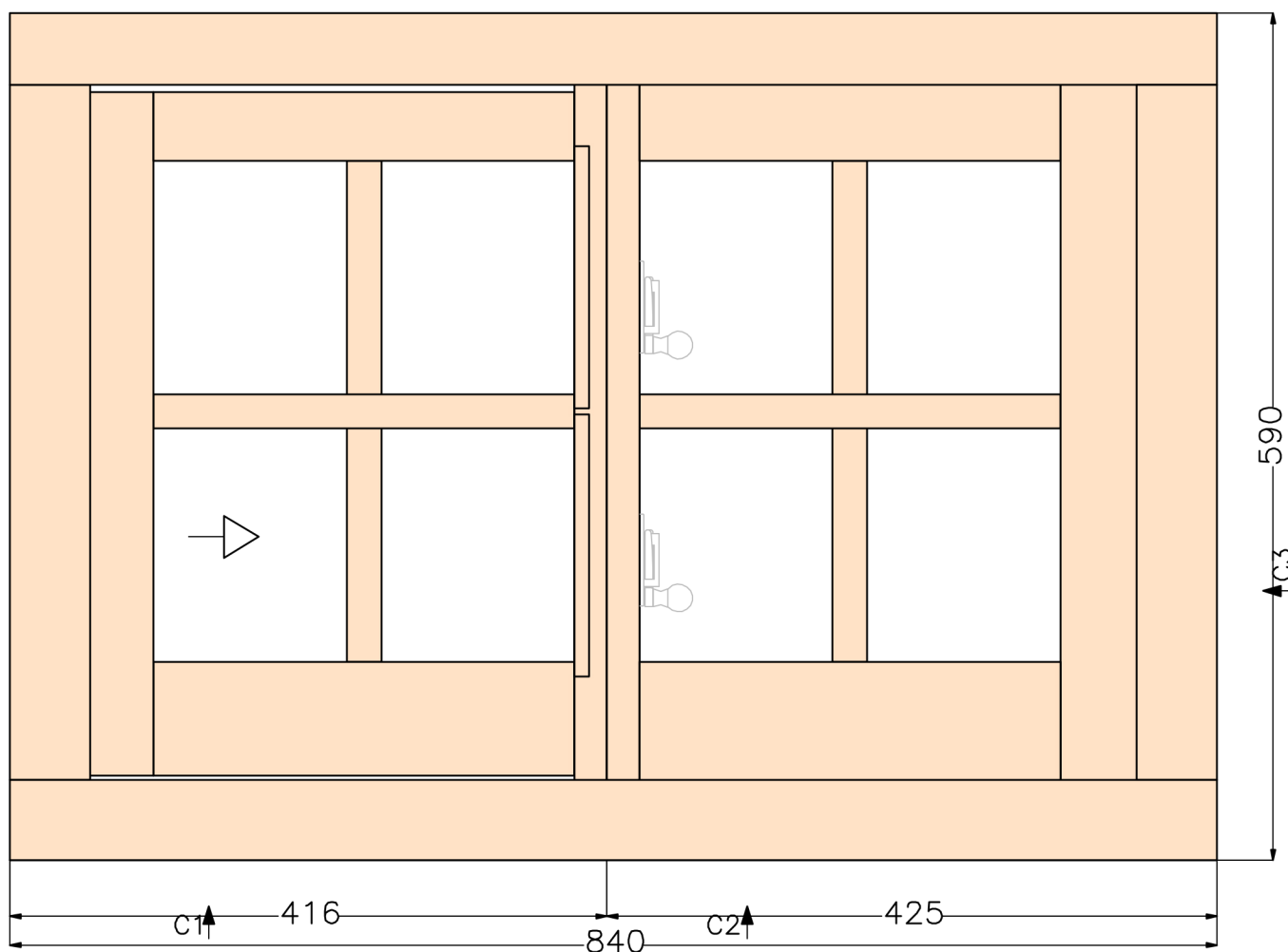
Customer: Excell Building Services LTD - Courtney  
 Ref: W5 - Attic

View from outside (scale 1:5)

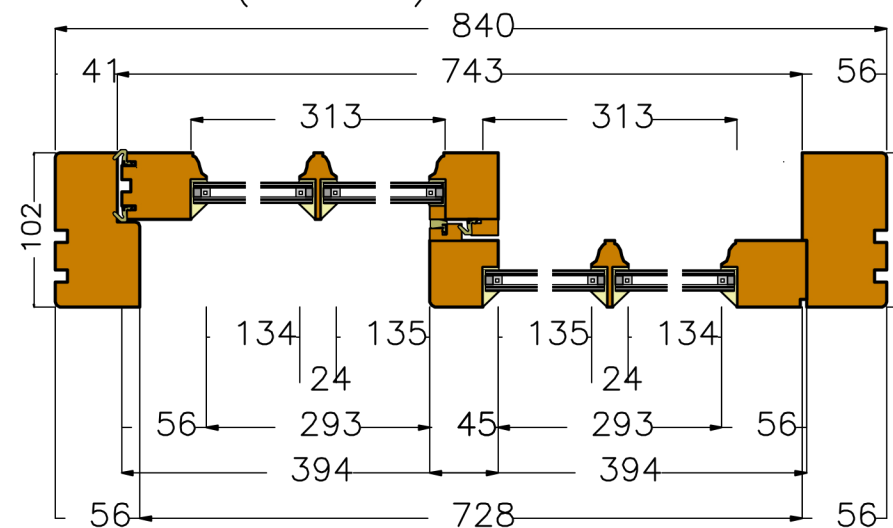
C1↓

C2↓

↑C3



Section C3 (scale 1:5)



F/Sashes	
F/Ironmo	
Glaze	
P/O/B	

## Revisions

Project - 0-120182

Drawing No 3

Scale As shown on A3

Drawn by Victoria Polydore

Date 06.06.2022

**GEORGE BARNSDALE**

Est. 1884

High Street, Donington, Spalding, Lincs, PE11 4TA

01775 82300

www.georgebarnsdale.co.uk

Structural opening/Brickwork

Rebate

Sash

Supplementary Dimensions

Dimensions refer to manufacturing sizes; ironmongery shown is only indicative to actual location