

**A1 - Do Not Scale**

Only PDF / DWG issues of this drawing are controlled. All other formats (eg. DWG AutoCAD FILES) are UN-controlled and are used at your own risk.

This drawing is copyright ©. It is sent to you in confidence and must not be copied, used or disclosed to any third parties without 3E permission. It remains the property of 3E and must be returned on request.

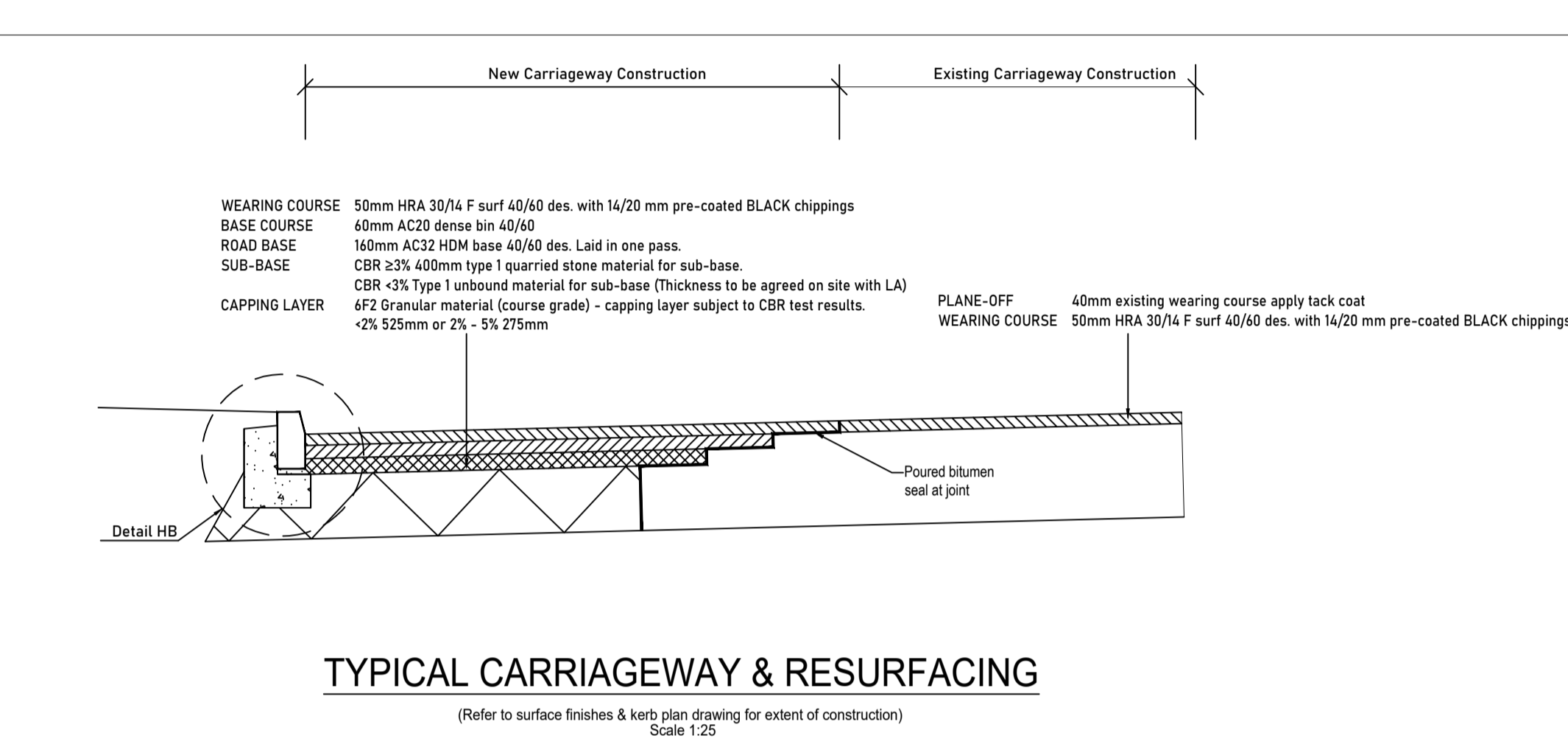
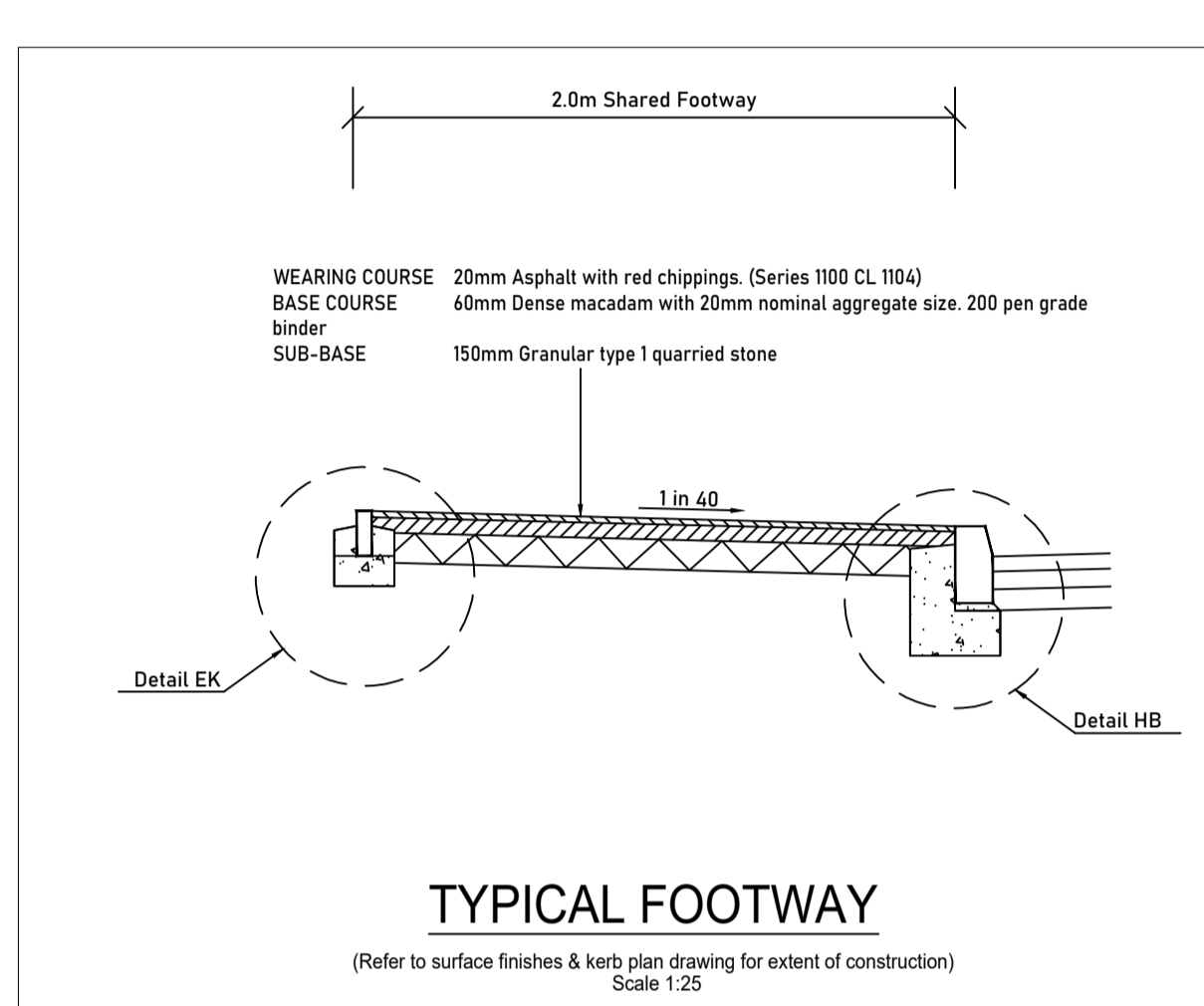
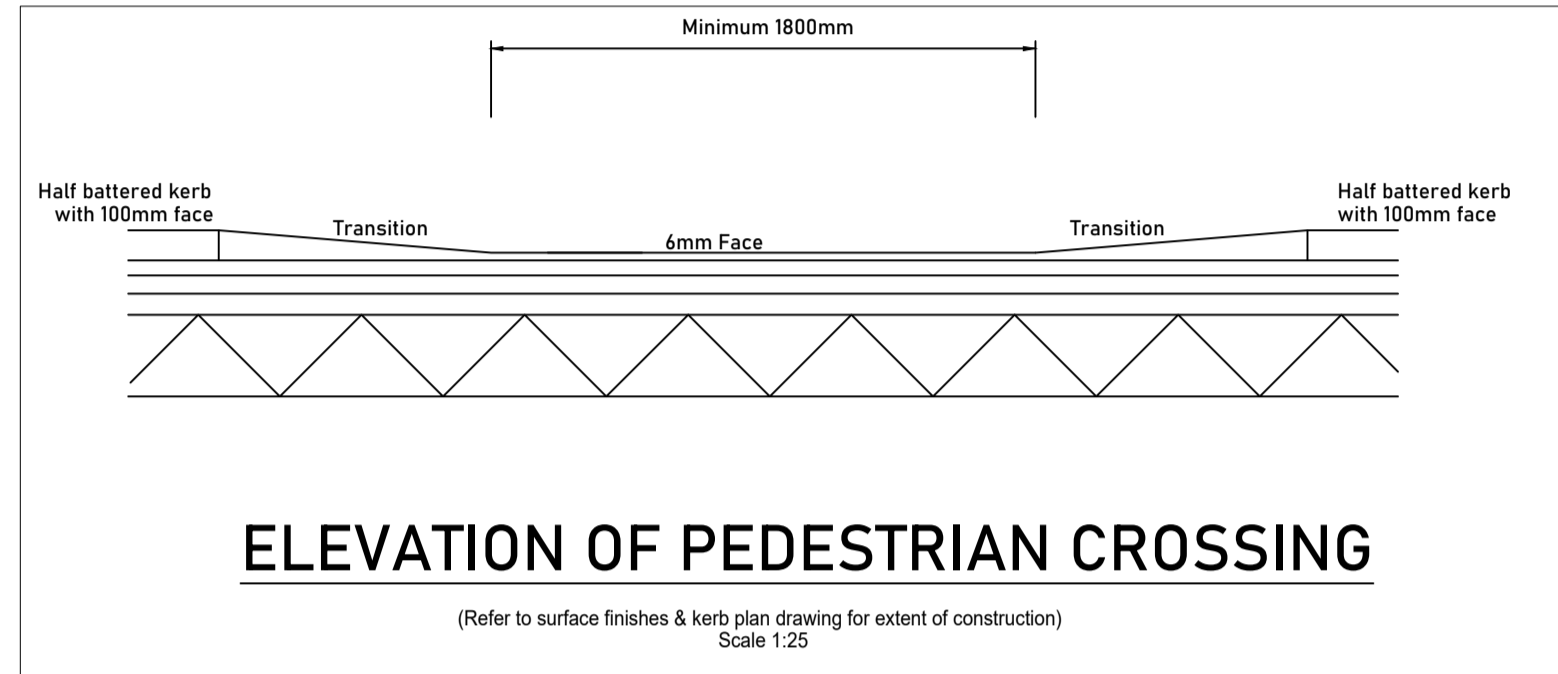
Contractors should refer to the residual risks contained in the CDM Pre Construction Information before carrying out any site operations and should not issue parts of this drawing without including the CDM notes and references. This information will include details of the SIGNIFICANT risks which 3E have considered beyond that which a competent contractor should be aware.

**HEALTH & SAFETY**

- CONTRACTOR SHOULD BE AWARE OF GENERAL CONSTRUCTION RISKS TO PREVENT SLIPS, TRIPS AND FALLS AND TAKE NECESSARY PRECAUTIONS WITHOUT SPECIAL INSTRUCTION.
- CONTRACTOR TO PROVIDE TRENCH SUPPORTS AS APPROPRIATE AND ENSURE THAT PLANT REMAINS A SAFE DISTANCE FROM TRENCHES PRIOR TO INSTALLING DRAINAGE.
- THE TIME THAT EXCAVATIONS ARE OPEN ON SITE SHOULD BE KEPT TO A MINIMUM AND ALL TRENCHES SHOULD BE SURROUNDED BY A BARRIER.
- CONNECTIONS TO EXISTING SEWERS TO BE MADE BY NVL APPROVED CONTRACTOR ONLY.
- CONTRACTOR TO MAKE OPERATIVES AWARE OF ASSOCIATED DANGERS TO HEALTH SUCH AS LEPTOSPIROSIS (WELLS DISEASE) AND RECOMMENDED PRECAUTIONS. ADEQUATE WELFARE FACILITIES AND PROTECTIVE CLOTHING TO BE PROVIDED AS REQUIRED.
- UNFINISHED MANHOLES MUST BE COVERED WITH LOAD BEARING MATERIALS AND SURROUNDED WITH BARRIER.

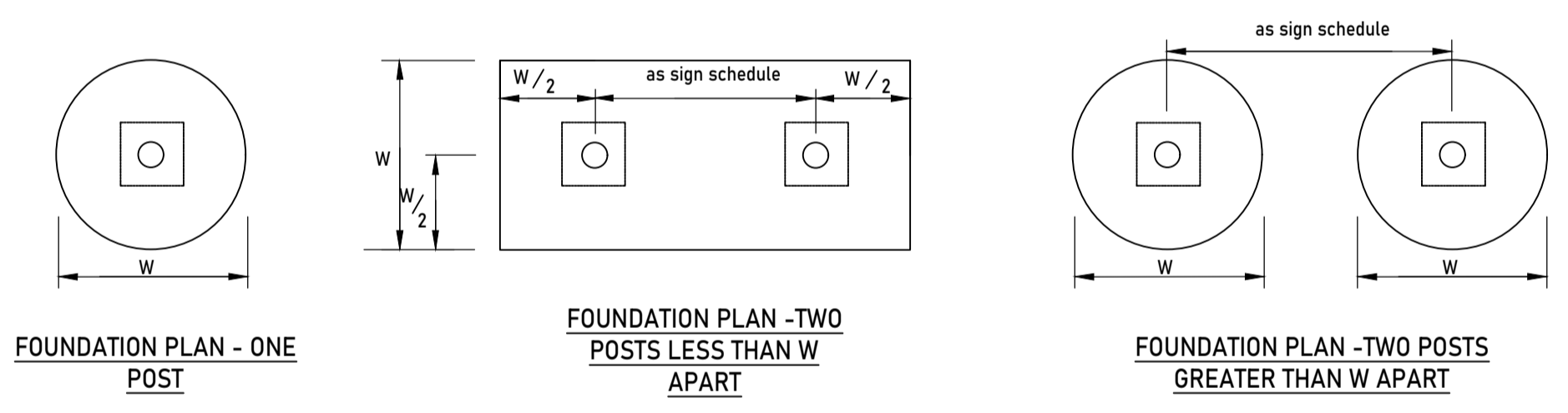
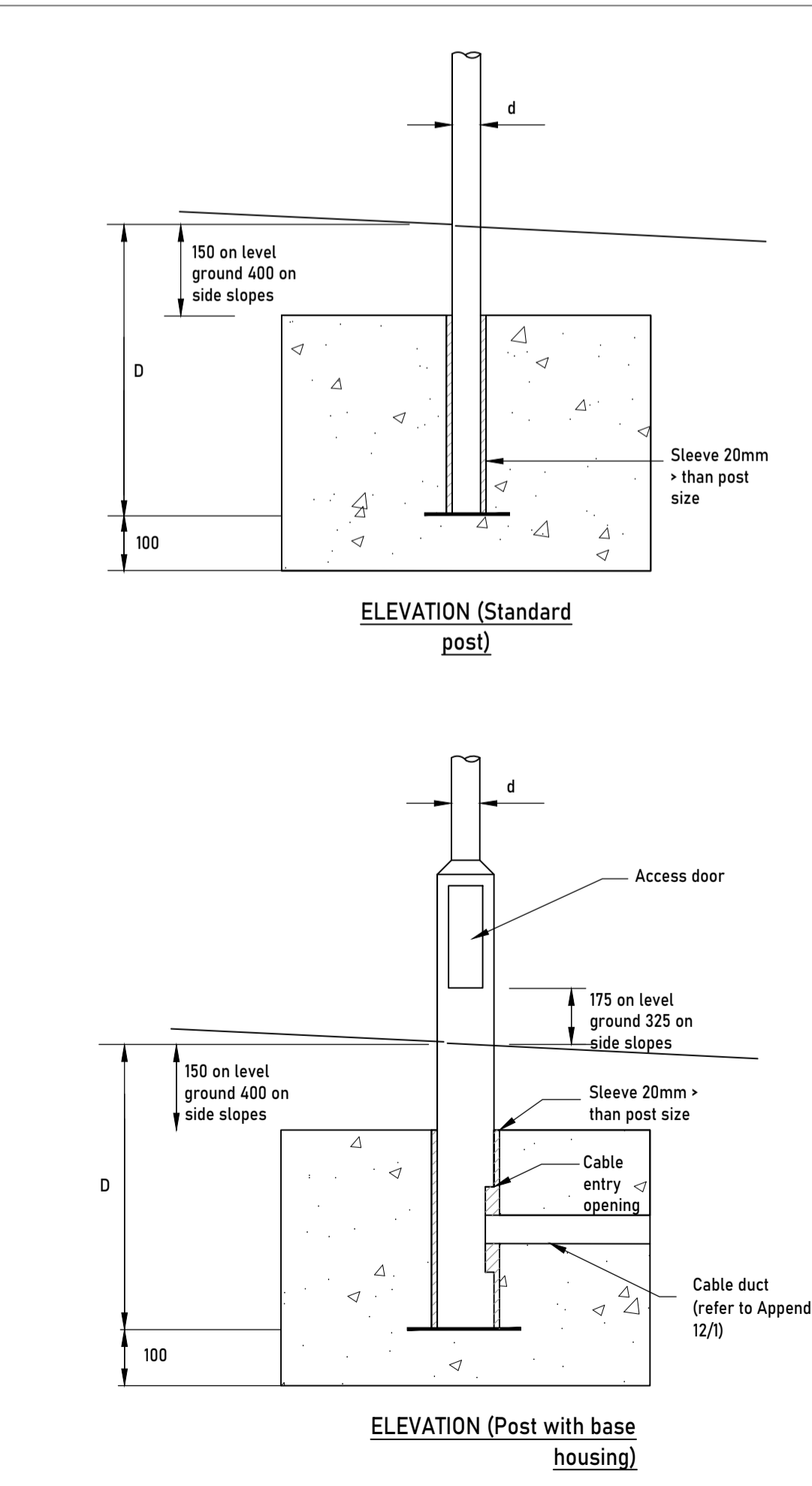
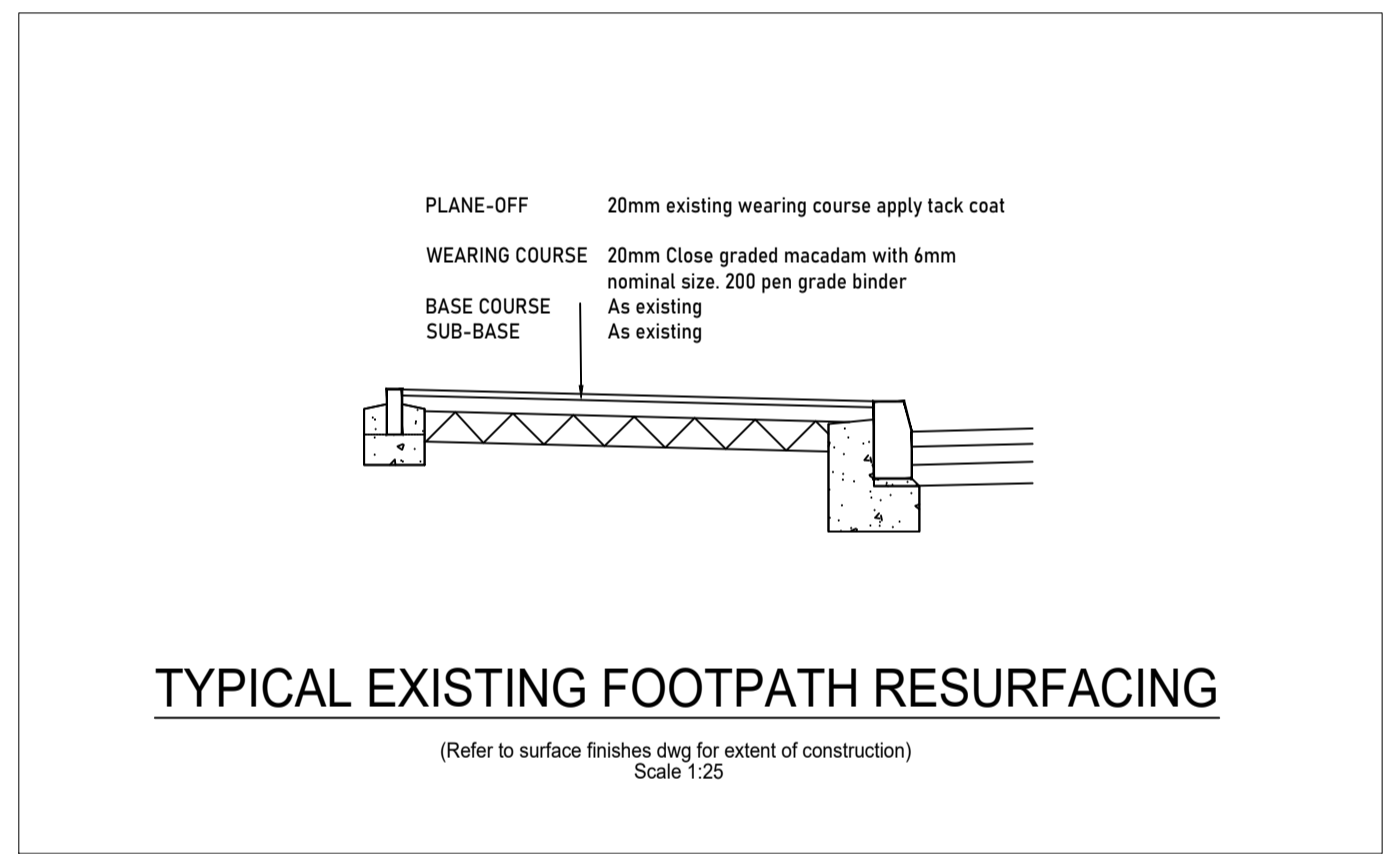
**PIPES & CABLES**

- SERVICE RECORDS TO BE REFERRED TO PRIOR TO WORK COMMENCING. CONTRACTOR TO PROCEED WITH CAUTION AND SERVICES TO BE LOCATED BY HAND DIG AND PROTECTED ACCORDINGLY.
- CONTRACTOR TO ENSURE RELEVANT MEASURES ARE TAKEN TO KEEP PLANT AND PEOPLE A SAFE DISTANCE FROM STEEP SLOPES DURING THE WORKS.
- CONTRACTOR TO ENSURE THAT PROCEDURES ARE IN PLACE TO KEEP PEOPLE A SAFE DISTANCE FROM WORKING PLANT WHERE NECESSARY.
- CONTRACTOR TO REFER TO GROUND INVESTIGATION REPORT FOR CONTAMINATION TESTS AND TO PROVIDE ADEQUATE WELFARE FACILITIES AND PROTECTIVE CLOTHING AS REQUIRED.



LOCATION OF EXISTING UTILITY SERVICES UNKNOWN. ALLOWANCE SHOULD BE MADE FOR ANY LOWERING OR DIVERSIONS REQUIRED TO CONSTRUCT NEW FOOTPATH

ALL WORKS TO BE UNDERTAKEN IN ACCORDANCE WITH NORTHUMBERLAND COUNTY COUNCIL HIGHWAYS SPECIFICATION



Post Diameter d	Depth of post below ground level, D		Concrete surround diameter, W
	On level ground	On side slopes	
70.0 (square)	700	900	500
76.1	750	1000	500
76.1 (Power Post) [114.3]	750	1000	600
88.9	900	1150	600

- NOTES**
- Top of post to be level with top of sign. Unless otherwise instructed by the Project Manager, where an overhead lighting unit is to be attached, the post shall extend 75mm above the top of the sign.
  - The drawings show one or two posts, but where necessary the principles shall be extended to cater for the number of posts shown in the Traffic Sign Schedule.
  - Care should be taken during excavation to avoid damage to adjacent pipe runs and other services. Split ducts shall be used to protect services lying on the line of foundations.
  - Foundation concrete shall be Mix ST4 and cast in one operation.
  - Posts shall be erected vertically. Groups of posts shall be in a straight line with tops at the same level.
  - Posts shall be suitably braced for three days after erection to prevent movement.
  - Surface above foundation shall be top soiled or surfaced to conform to the standard of the surrounding material unless otherwise shown on the Scheme drawings.
  - Individual traffic sign foundation dimensions are to be in accordance with the specified details listed in the scheme traffic sign schedules.

**TRAFFIC SIGNS - ERECTION - SMALL DIAMETER STEEL POSTS TYPICAL DETAILS**

Scale 1:10

22/04/22 PRELIMINARY ISSUE JF P1

Date	Revisions	Drawn	Rev

Purpose of Issue: PRELIMINARY

6 Benton Office Park  
Bennett Avenue  
Horbury  
Wakefield  
WF4 5BA

2 Esh Plaza  
Sir Bobby Robson Way  
Great Park  
Newcastle upon Tyne  
NE13 9BA

11924 240420  
wakefield@3econconsult.com

1 0191 230 2995  
newcastle@3econconsult.com

consulting engineers  
www.3econconsult.com

Client: MR HARJIT SINGH DEOL

Project: BARRINGTON ROAD BEDLINGTON

Title: SECTION 38 BUILD UPS AND KERBS DETAILS

Scale: 1:200 Author: JF Checked: MP Date: APR 2022

Job Number: P21-484-3E-ZZ-XX-DR-C-5006-P1