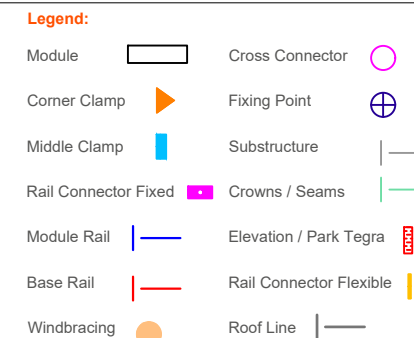
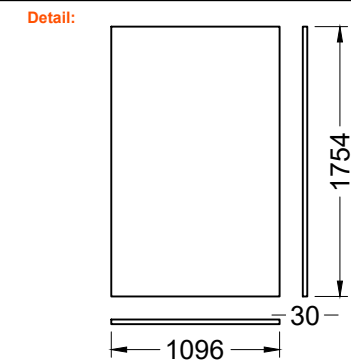


5X



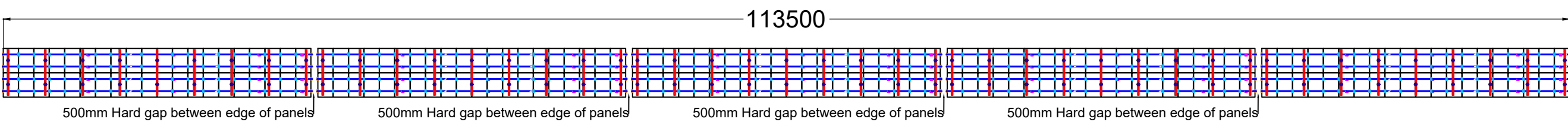
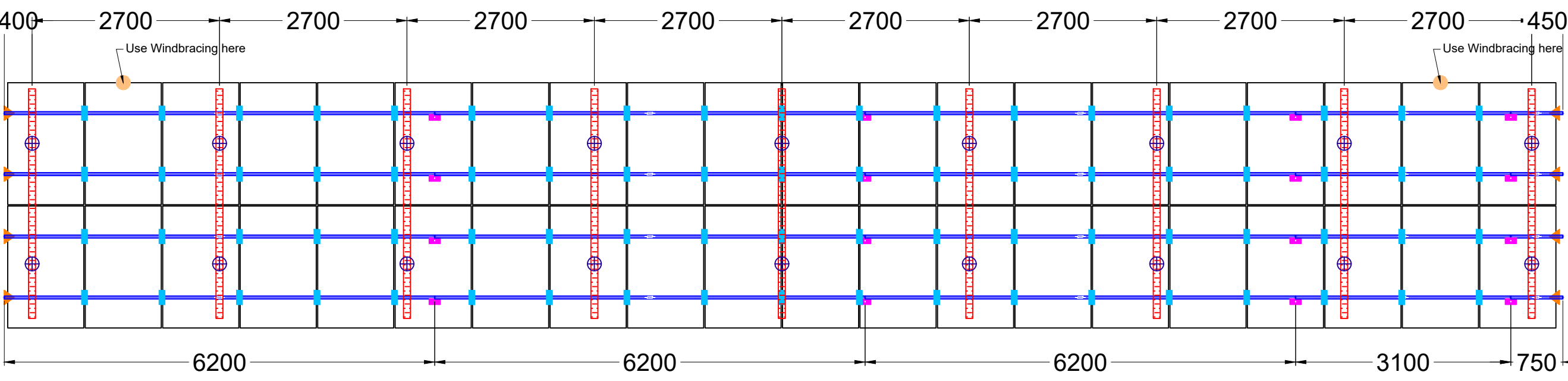
- Notes:**
1. Number of modules : 200pcs
 2. Ground conditions unknown at time of design.

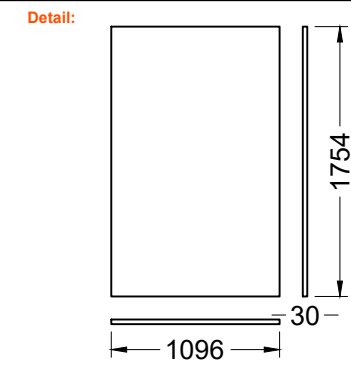
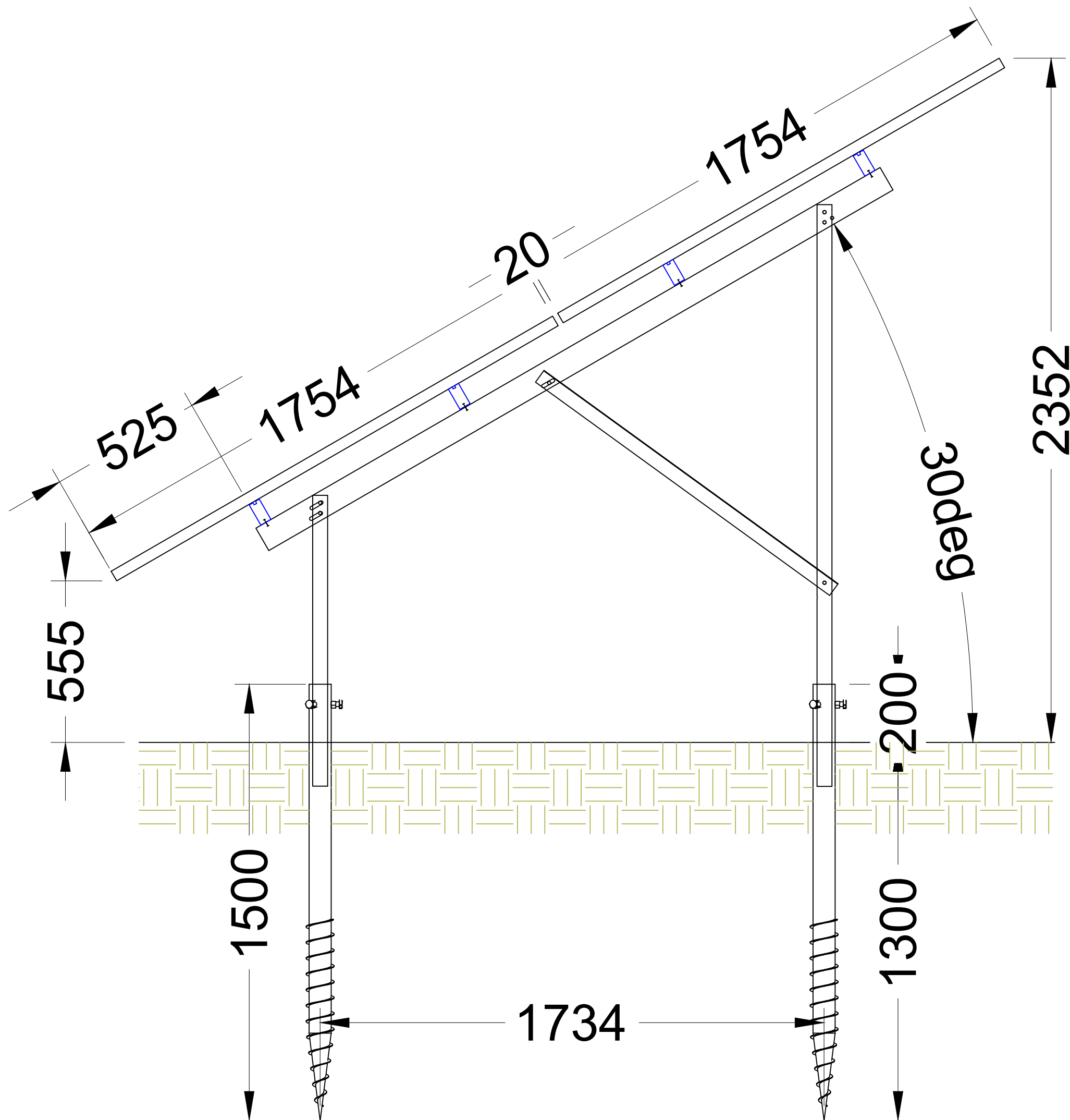
**CONFIDENTIAL
PROPOSAL ONLY**

Project: WE125 The Gardens
System: Park Tegra Ground Anchor
Mod. Dimensions: 1754x1096x30mm
Base Rail: -
Module Rail: 40x80
Date: 24/09/2021
Dwn: ADRIENN CSIKJA Ckd: MC



Ground mounted systems are subject to ground conditions. Roof mounted systems are subject to structural survey. Information is correct according to submitted checklist and is subject to change. Please refer to the system Mounting Instructions, failure to do so will void warranties. This drawing, with respect to this project is prepared on the assumption that Sunfixings' products will be used and that they are not intended for any other use. Consequently, Sunfixings cannot accept any responsibility for the use of and/or reliance upon this drawing by third parties. All third parties should calculate their own specifications and drawings in order to ensure these are correct for their own products.
 Do not scale from this drawing. All dimensions are indicative only and are in mm unless otherwise stated. Do not use any dimensions without checking on site. The drawing is copyright of Sunfixings and these drawings must not be used or replicated without Sunfixings' written consent.
 © Copyright 2021 SUNFIXINGS Limited





Legend:

Module		Cross Connector	
Corner Clamp		Fixing Point	
Middle Clamp		Substructure	
Rail Connector Fixed		Crowns / Seams	
Module Rail		Elevation / Park Tegra	
Base Rail		Rail Connector Flexible	
Windbracing		Roof Line	

- Notes:**
1. Number of modules : 200pcs
 2. Ground conditions unknown at time of design.

**CONFIDENTIAL
PROPOSAL ONLY**

Project: WE125 The Gardens
System: Park Tegra Ground Anchor
Mod. Dimensions: 1754x1096x30mm
Base Rail: -
Module Rail: 40x80
Date: 24/09/2021
Dwn: ADRIENN CSIKJA Ckd: MC



Ground mounted systems are subject to ground conditions. Roof mounted systems are subject to structural survey. Information is correct according to submitted checklist and is subject to change. Please refer to the system Mounting Instructions, failure to do so will void warranties. This drawing, with respect to this project is prepared on the assumption that Sunfixings' products will be used and that they are not intended for any other use. Consequently, Sunfixings cannot accept any responsibility for the use of and/or reliance upon this drawing by third parties. All third parties should calculate their own specifications and drawings in order to ensure these are correct for their own products.
 Do not scale from this drawing. All dimensions are indicative only and are in mm unless otherwise stated. Do not use any dimensions without checking on site. The drawing is copyright of Sunfixings and these drawings must not be used or replicated without Sunfixings' written consent.
 © Copyright 2021 SUNFIXINGS Limited