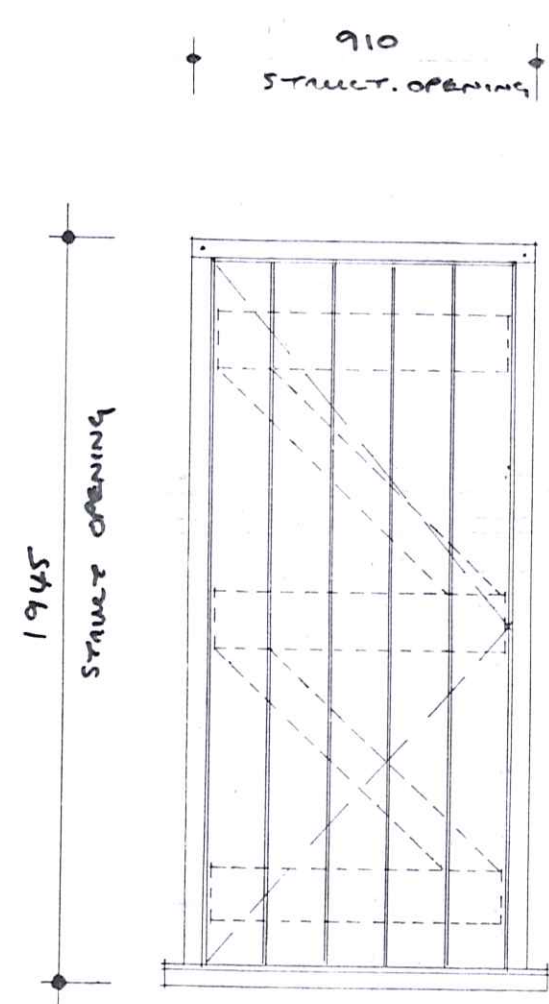
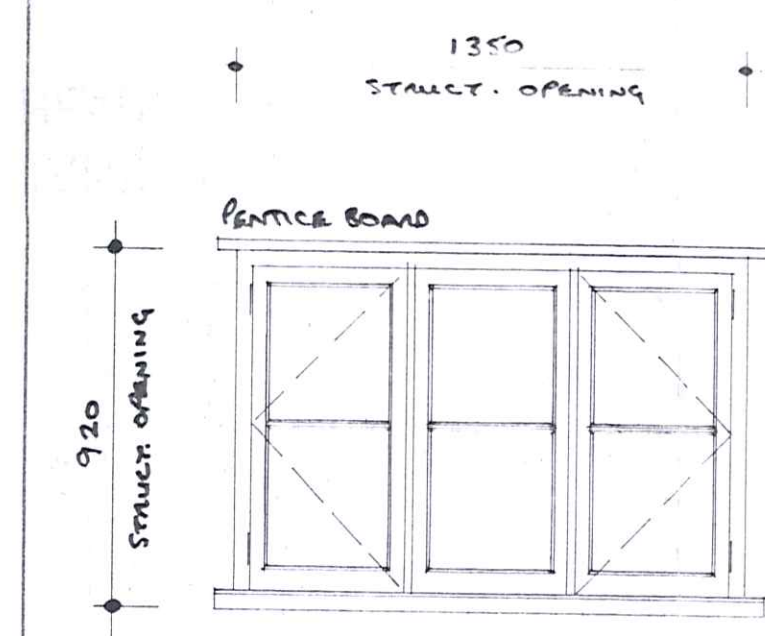


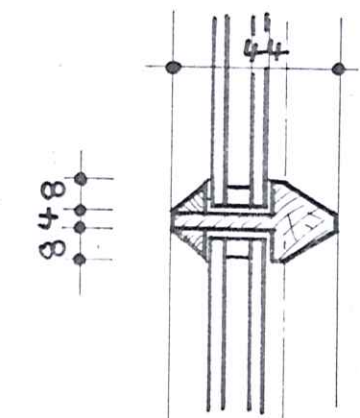
DOOR - FIRST FLOOR



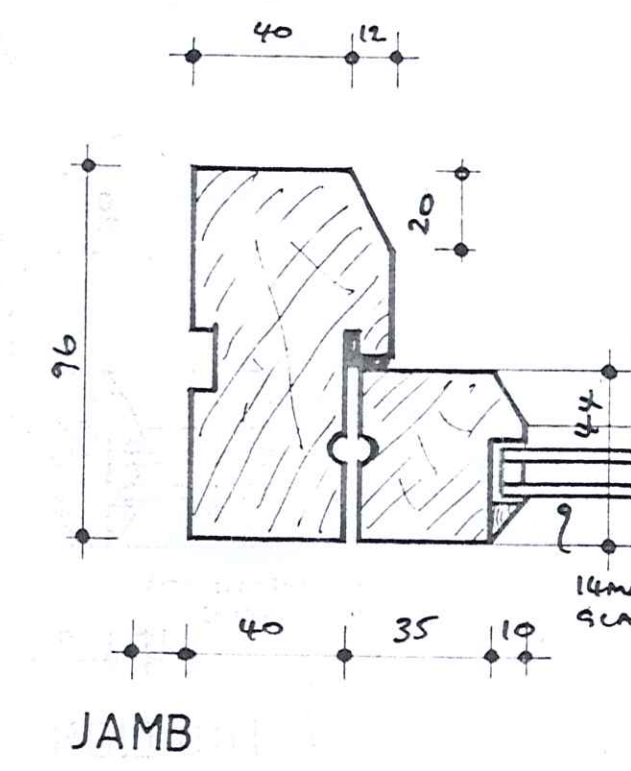
DOOR - WC & WORKSHOP



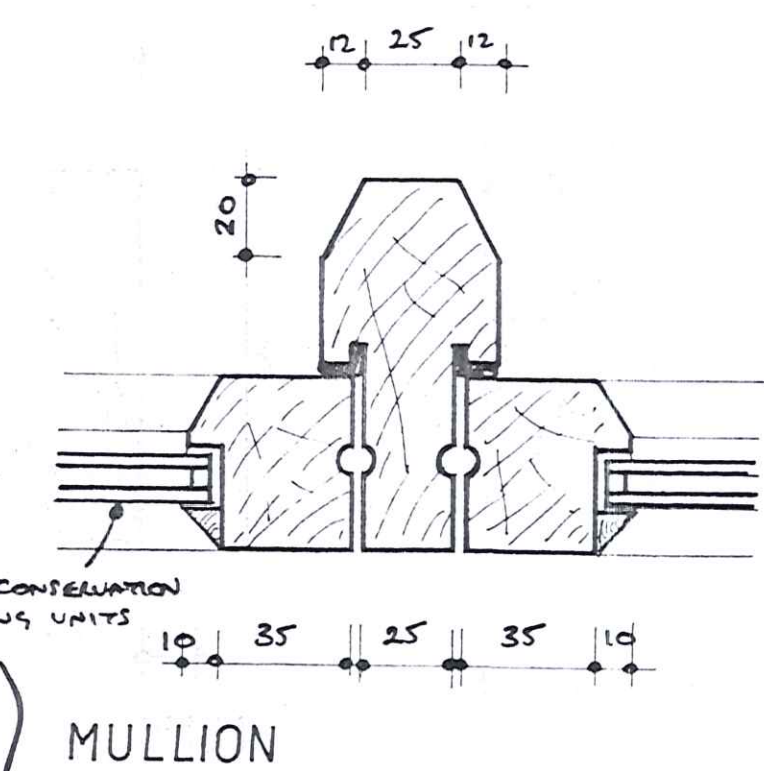
WINDOW - WORKSHOP



GLAZING BAR



JAMB



MULLION

WINDOW

To be black stained / painted treated purpose made softwood, style and appearance as shown, fitted with proprietary weather seals, security ironmongery glazed with Timbalite Slimline "Timbalite 14mm Low 1.5" Double Glazing Units (Tel: 0800 043 1054, www.timbalite.com) or equal hermetically sealed units comprising 4mm thick low Emissivity Softcoat glass, 6mm gas filled cavity and 4mm clear float glass, giving an overall unit thickness of only 14mm to achieve 1.5W/m2K "U" Value. Sashes to be hung from casements with minimum 2no. 65mm zinc plated steel butt hinges per sash. Double glazing units to be installed set in non-setting butyl mastic within minimum 9mm rebates and secured with triangular timber beads externally, all as Timbawood Direct Ltd recommendations and details.

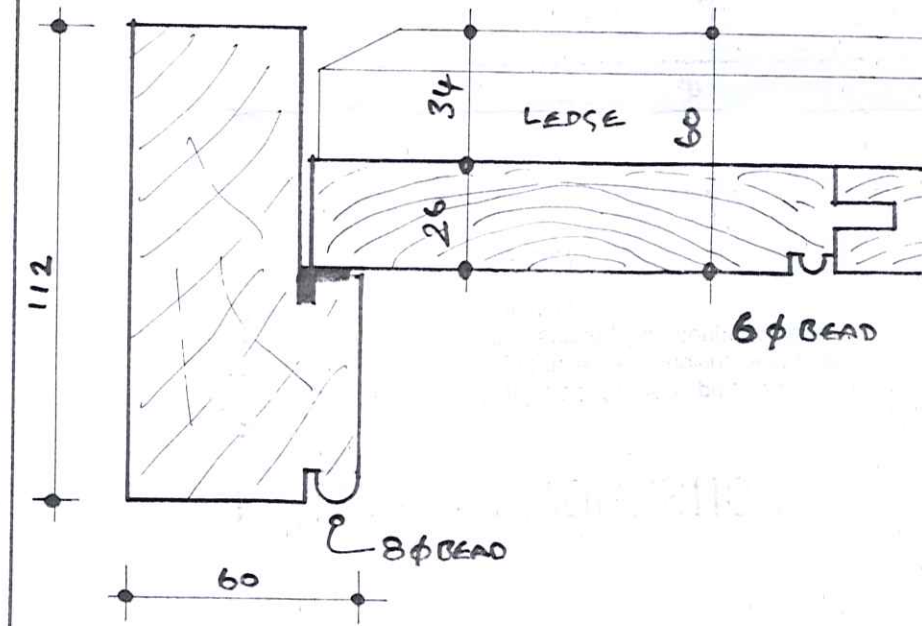
PART GLAZED DOOR

To be black stained / painted treated purpose made softwood, style and appearance as shown, fitted with proprietary weather seals, security ironmongery glazed with Timbalite Slimline "Timbalite 16mm Low 1.5" Double Glazing Units (Tel: 0800 043 1054, www.timbalite.com) or equal hermetically sealed units comprising 4mm thick low Emissivity Softcoat glass, 8mm gas filled cavity and 4mm clear float glass, giving an overall unit thickness of only 16mm to achieve 1.5W/m2K "U" Value. Door to be hung with minimum 3no. 100mm butt hinges. Double glazing units to be installed set in non-setting butyl mastic within minimum 12mm rebates and secured with triangular timber beads externally, all as Timbawood Direct Ltd recommendations and details. Door frame to extend across wall insulation by minimum 30mm. All glazing to door to be in safety glass to BS 6206:1981.

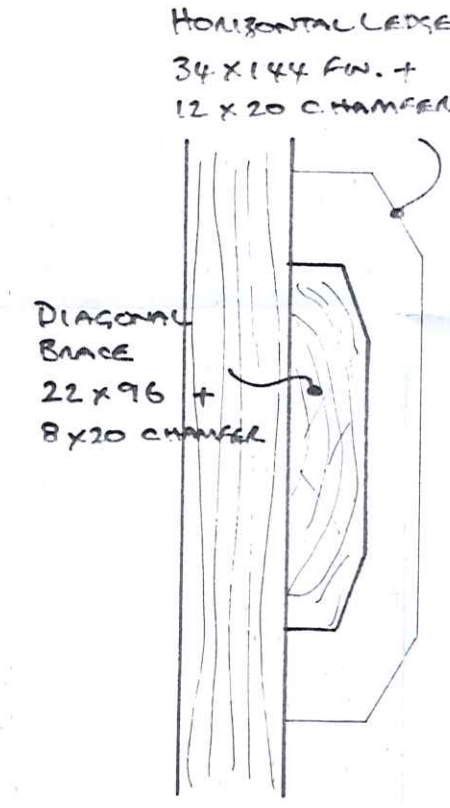
BOARDED DOORS

To be black stained / painted treated purpose made softwood, style and appearance as shown, fitted with proprietary weather seals and security ironmongery, hung on heavy duty galvanized tee hinges.

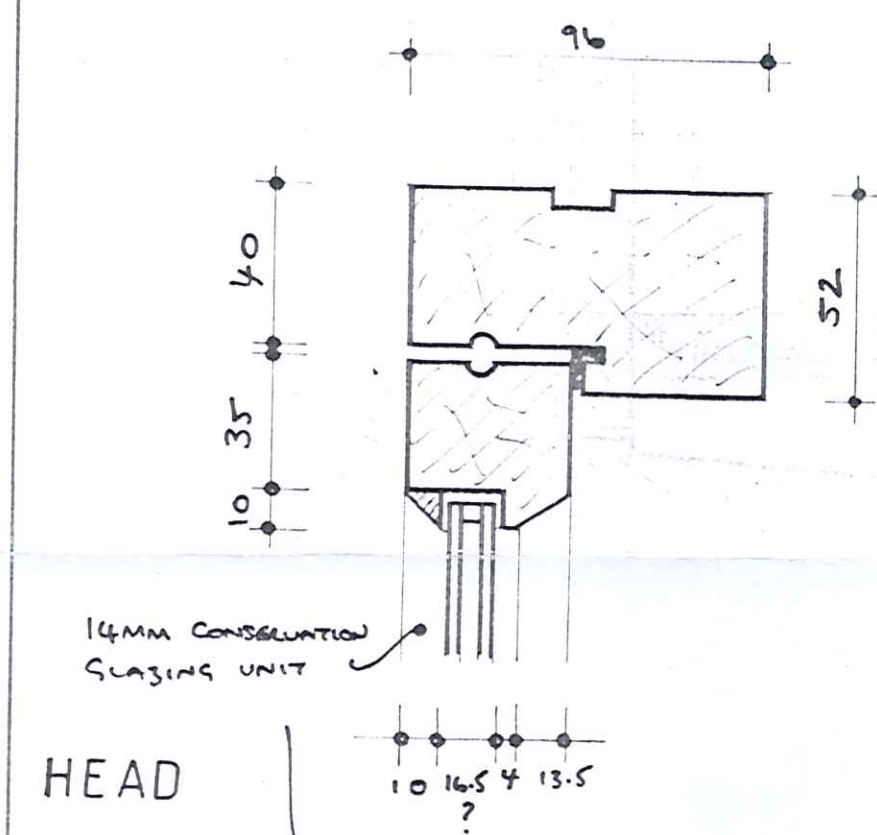
IF IN ANY DOUBT PLEASE ASK



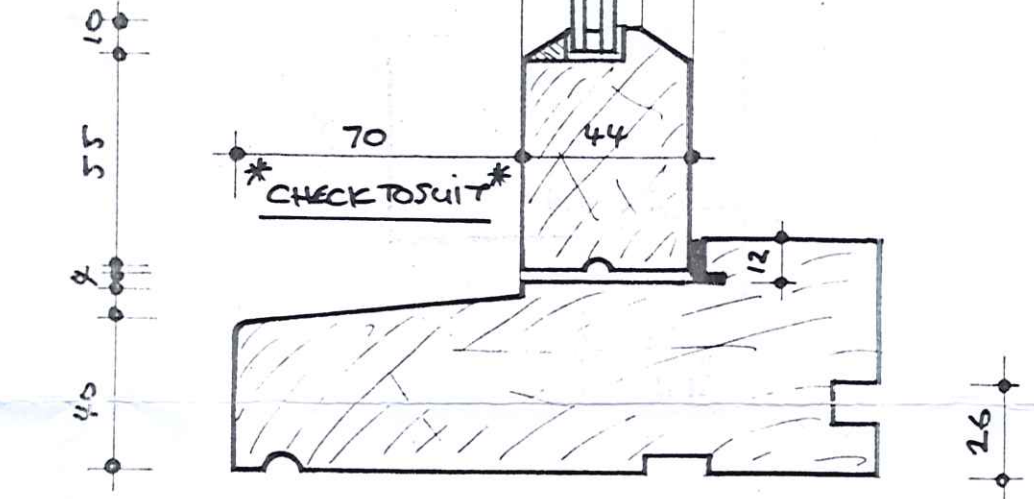
JAMB & HEAD



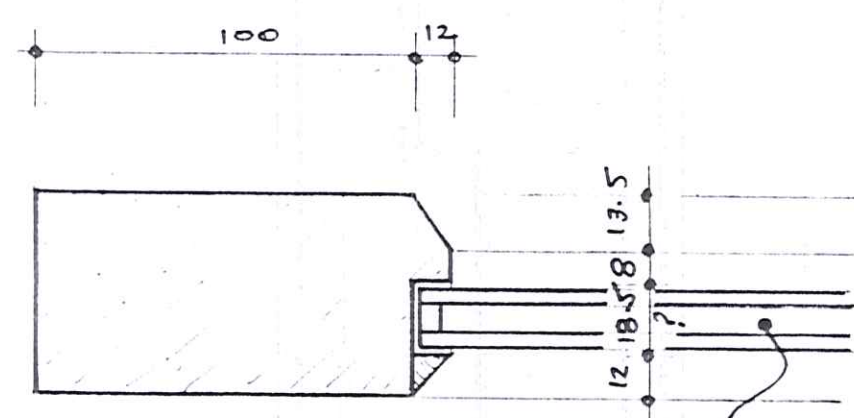
LEDGE & BRACE



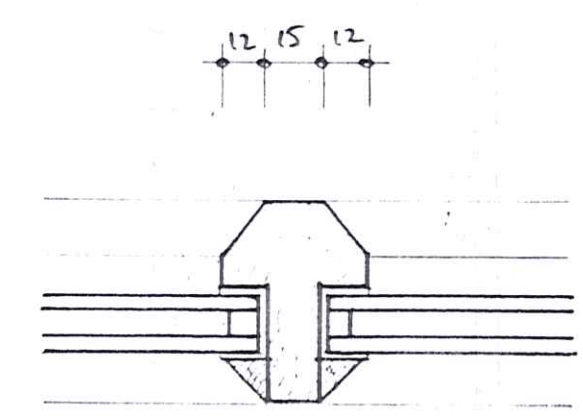
HEAD



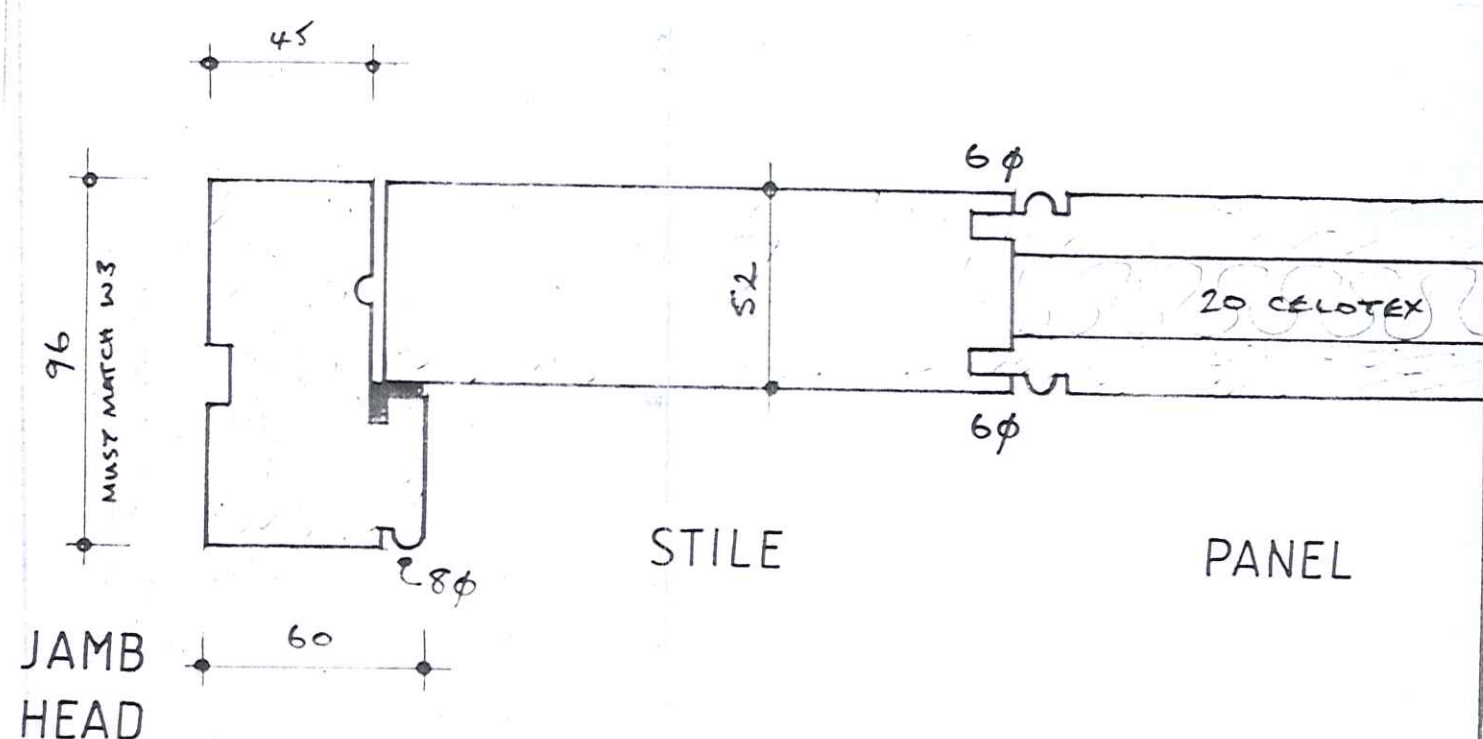
SILL



STILE



MULLION



JAMB HEAD

STILE

PANEL

LES ANDREWS MCIAT

Chartered Architectural Technologist & Building Design Consultant

Street Farm, Beck Street, Hepworth, Diss, Norfolk, IP22 2PN. Tel: 01359 254278

MEMBER OF THE CHARTERED INSTITUTE OF ARCHITECTURAL TECHNOLOGISTS

DRAWING
LARGE SCALE DOOR & WINDOW DETAILS AS PROPOSED.

PROJECT	DRAWING NO.
PROPOSED CARTLIDGE & WORKSHOP, SUDBOURNE FARMHOUSE, MILL ROAD, WYVERSTONE, FOR MR. & MRS. C. CATTON.	2005/12
SCALE	1:20, 1:2 @ A2
DATE	JUNE 2022

This drawing is Copyright of Les Andrews MCIAT and cannot be reproduced without written consent. Do not scale. Use figured dimensions only. All discrepancies to be reported immediately to Les Andrews MCIAT