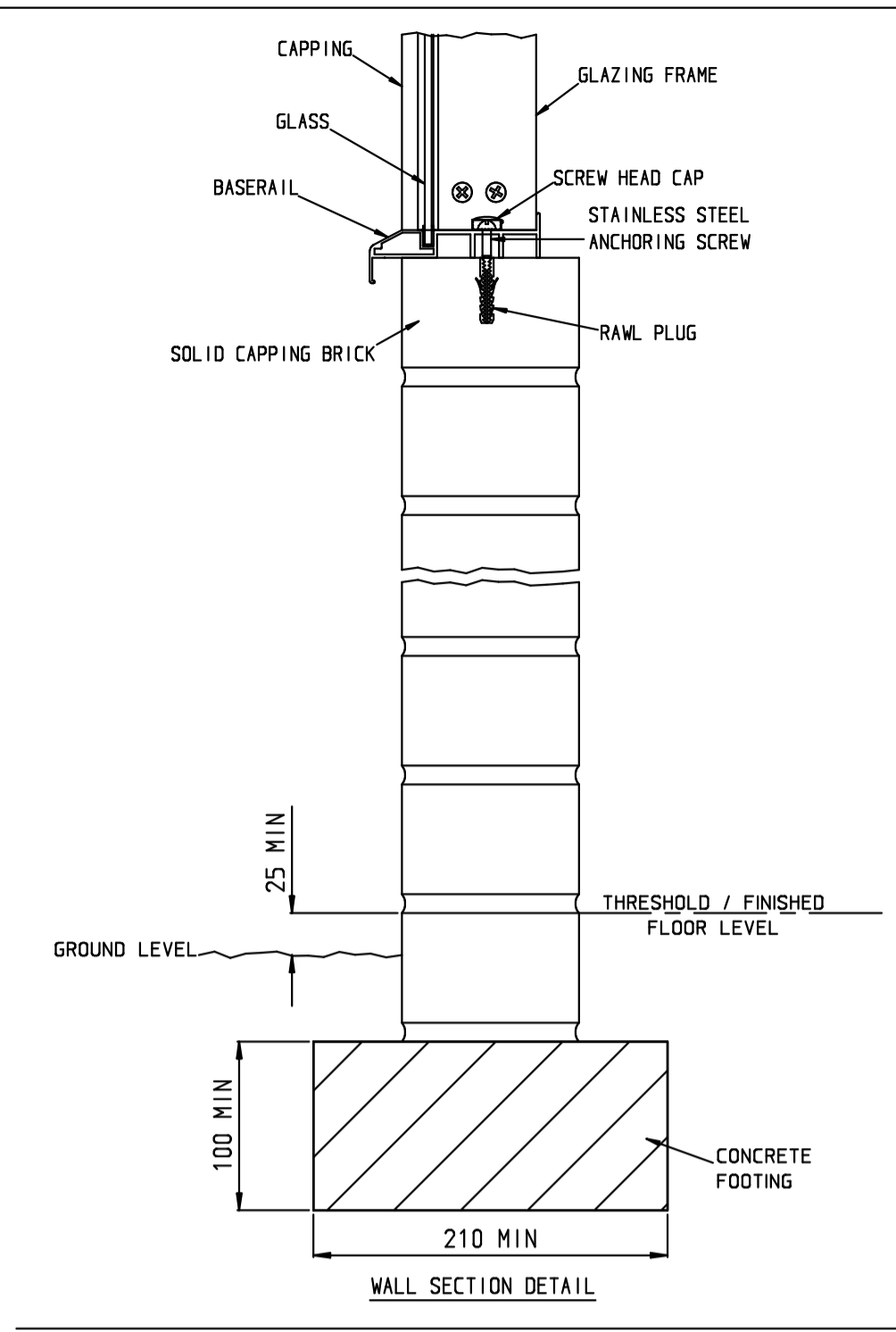
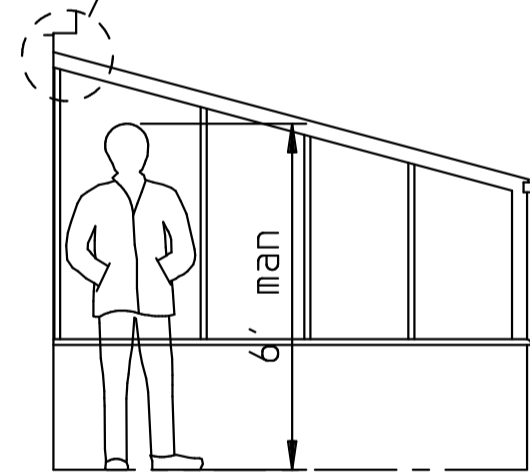
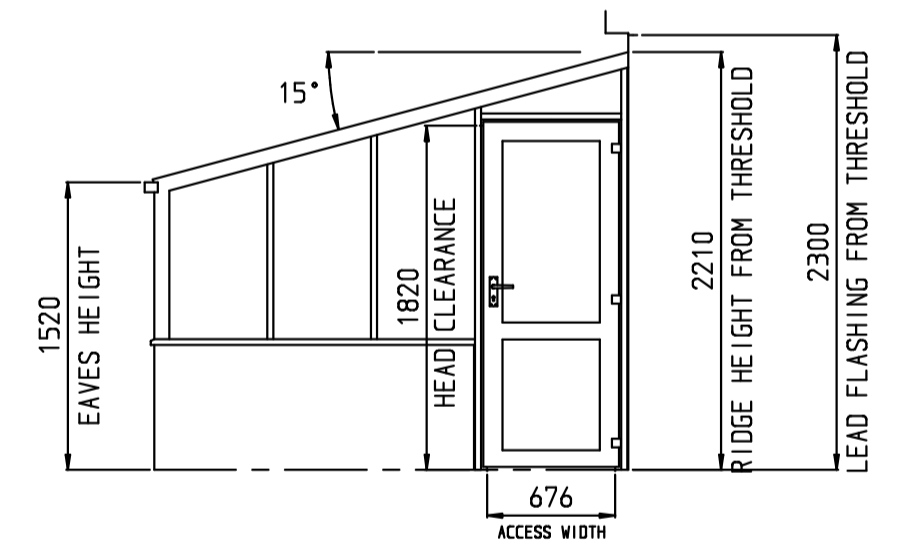
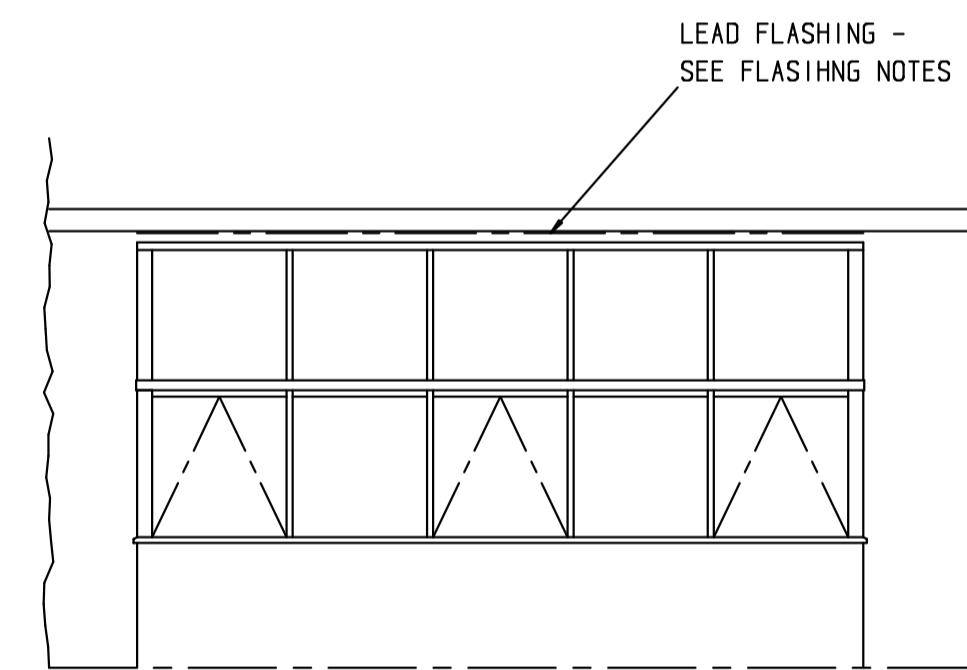
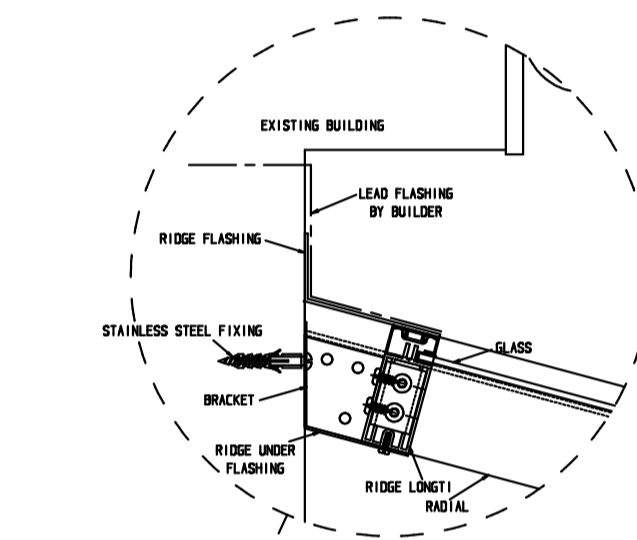
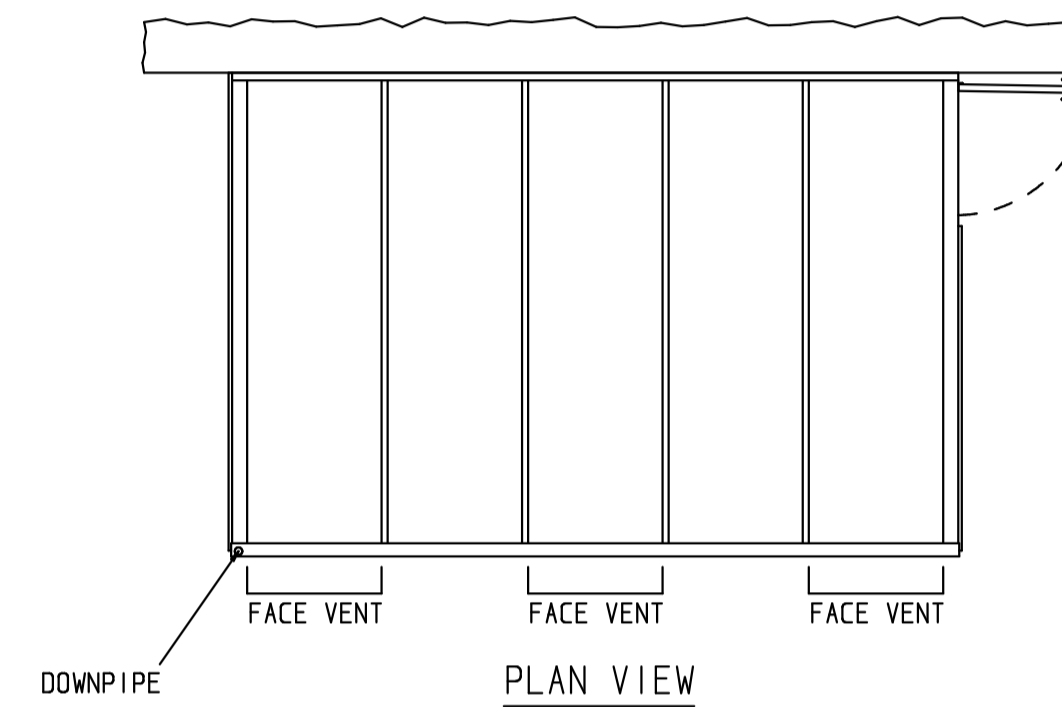


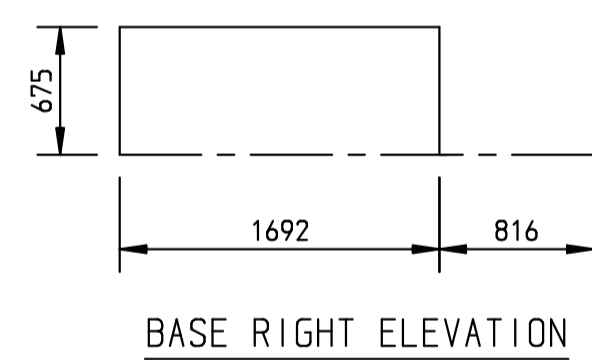
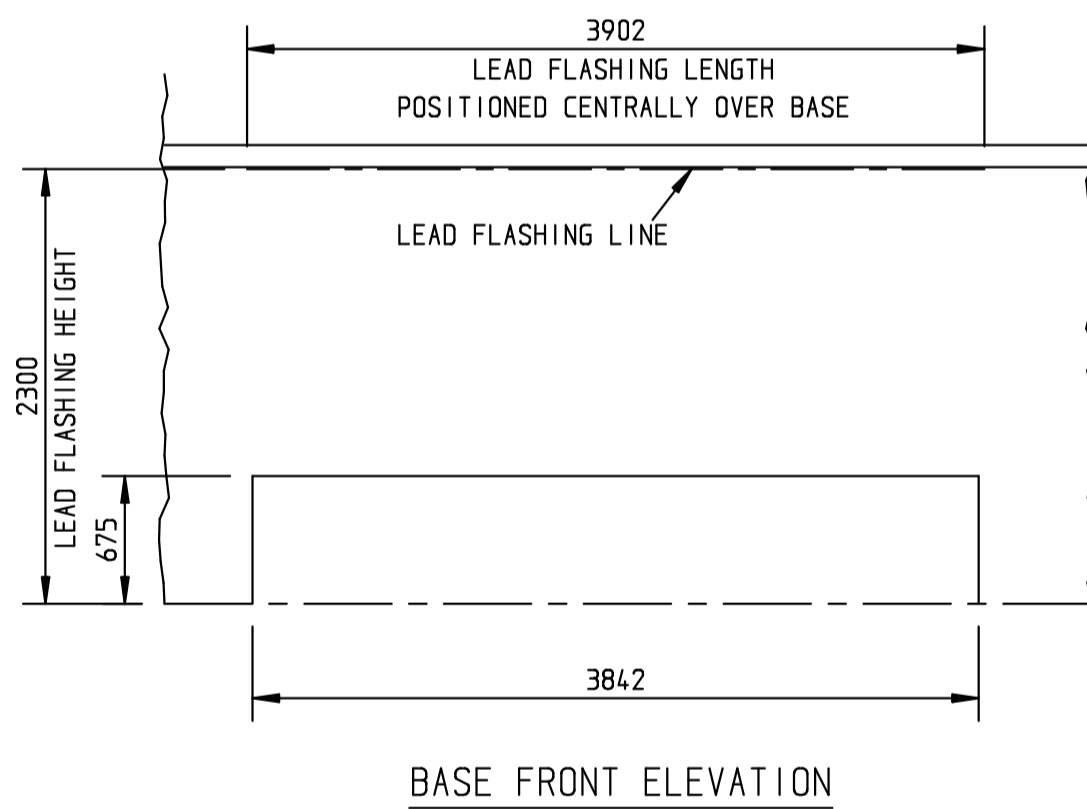
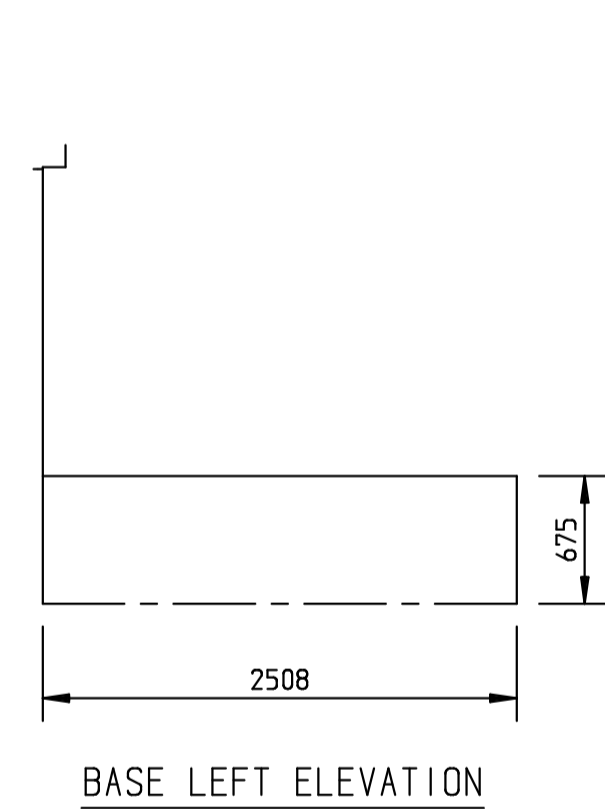
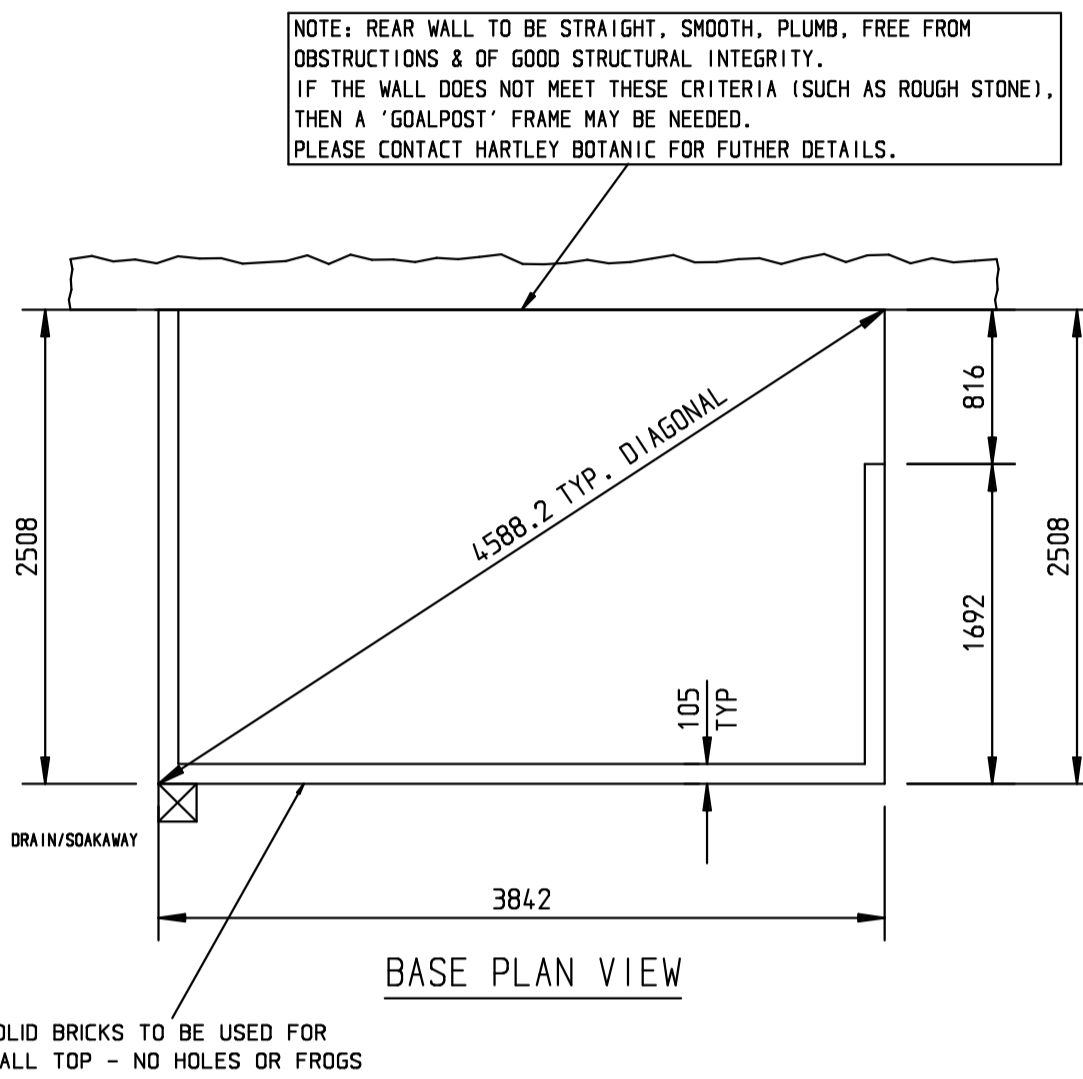
PLEASE READ ALL INSTRUCTIONS BEFORE COMMENCING. IF YOU HAVE ANY DOUBTS AS TO THE SPECIFICATIONS THAT WE REQUIRE PLEASE CONTACT HARTLEY BOTANIC LTD.

DO NOT SCALE  
IF IN DOUBT CONTACT HARTLEY BOTANIC

**FLASHING NOTES:**  
ALL FLASHING INSTALLATION AND DRESSING DOWN TO BE CLIENTS / BUILDERS RESPONSIBILITY.  
THE FLASHING WILL BE REQUIRED TO PROTRUDE 180mm MIN FROM THE FRONT FACE OF THE WALL & DRESS DOWN ONTO THE ROOF.  
THE LEAD FLASHING MUST BE IN SITU PRIOR TO THE INSTALLATION OF THE GLASSHOUSE.  
PLEASE CONTACT HARTLEY BOTANIC IF ANY ADJUSTMENTS IN THE FLASHING HEIGHT ARE NEEDED.



**IMPORTANT NOTE:**  
ALL BASE DIMENSIONS TO BE WITHIN PLUS OR MINUS 5.00mm UNLESS OTHERWISE STATED

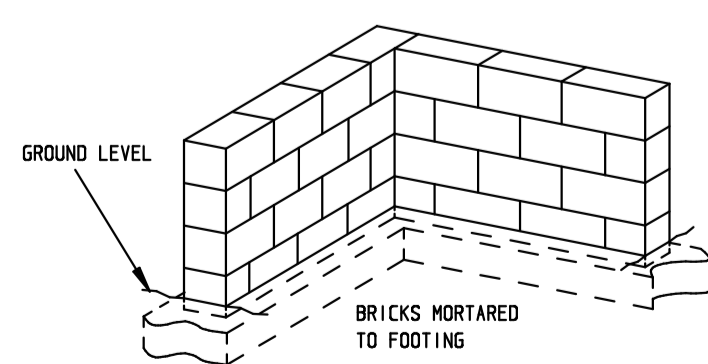


NOTE: REAR WALL TO BE STRAIGHT, SMOOTH, PLUMB, FREE FROM OBSTRUCTIONS & OF GOOD STRUCTURAL INTEGRITY. IF THE WALL DOES NOT MEET THESE CRITERIA (SUCH AS ROUGH STONE), THEN A 'GOALPOST' FRAME MAY BE NEEDED. PLEASE CONTACT HARTLEY BOTANIC FOR FURTHER DETAILS.

SOLID BRICKS TO BE USED FOR WALL TOP - NO HOLES OR FROGS

THESE DETAILS MUST BE ADHERED TO - IF YOU HAVE ANY DOUBTS RELATING TO THESE DETAILS, PLEASE CONTACT HARTLEY BOTANIC LTD

IF A DAMP PROOF COURSE IS REQUIRED, USE A NON POROUS BLUE ENGINEERING BRICK. IT IS NOT RECOMMENDED THAT A DAMP PROOF COURSE MEMBRANE BE USED. THE WALL CAN BE CONSTRUCTED IN EITHER SOLID BRICKS OR SOLID CONCRETE BLOCKS (NO HOLES). THE SINGLE BRICK WALL MUST BE CONSTRUCTED ACCURATELY TO THE DIMENSIONS PROVIDED. THE WALL MUST BE FLAT, LEVEL AND SQUARE. BRICKS TO BE BONDED 3:1 SAND AND CEMENT. THE USE OF A SPIRIT LEVEL IS ESSENTIAL TO ENSURE THE WALL IS LEVEL. WHEN LAYING THE WALL, MEASUREMENTS ACROSS THE CORNERS MUST BE EQUAL TO ENSURE THE BASE IS SQUARE. (SEE PLAN)  
IF THE WALL IS NOT FLAT AND SQUARE THE GREENHOUSE MAY NOT BE SATISFACTORILY ERECTED AND CAUSE DISAPPOINTMENT. IF WE ARE ERECTING THE GLASSHOUSE AND ENCOUNTER DIFFICULTIES BECAUSE OF AN UNSATISFACTORY FOUNDATION WE RESERVE THE RIGHT TO MAKE A CHARGE SHOULD ADDITIONAL WORK BE REQUIRED OR A SECOND VISIT MADE.  
A SUITABLE FOUNDATION FOR THE WALL MUST BE CONSTRUCTED. THIS SHOULD BE OF COARSE CONCRETE. WE RECOMMEND THE FOUNDATION SHOULD BE TWICE THE WIDTH OF THE BRICKWORK AND DEEP ENOUGH TO PROVIDE A STABLE BASE (100 mm MINIMUM OR DEEPER DEPENDING ON GROUND CONDITIONS.) ENSURING THE FOUNDATION IS LAID LEVEL WILL ENSURE THE WALL IS LEVEL. (SEE DRAWINGS) THIS WOULD BE BEST ACHIEVED WITH THE USE OF SHUTTERING.  
THE WALL CAN ALSO BE BUILT ON A SOLID CONCRETE BASE PROVIDING IT IS LARGER THAN THE DIMENSIONS SHOWN AND IS A MINIMUM DEPTH OF 100 mm.  
FIXING OF THE GREENHOUSE TO THE BASE IS TO BE CARRIED OUT USING THE SCREWS AND PLASTIC PLUGS PROVIDED WITH THE GREENHOUSE.  
NB:- THE NOTES PROVIDED HERE ARE GUIDE LINES. HARTLEY BOTANIC CANNOT ACCEPT RESPONSIBILITY FOR THE CUSTOMERS FOUNDATIONS, WALLING, OR SEALING OF BASERAILS. IN CASE OF DOUBT PLEASE CONTACT US.



The wall can be constructed in either bricks or concrete blocks with the threshold at a level slightly higher than the surrounding ground level. The capping bricks or blocks for wall and threshold must be solid (i.e no holes).

**GENERAL NOTES:**  
STRUCTURE BUILT IN ALUMINIUM ALLOY  
POLYESTER POWDER COATED, COLOUR GREY BROWN RAL 8019  
GLAZED IN TOUGHENED SAFETY GLASS  
ALUMINIUM SWING DOOR  
ALUMINIUM GUTTERS & DOWNPIPES  
FACE VENTS OPERATED MANUALLY

0 1 2 3 4 5		3rd ANGLE PROJECTION	
SCALE FOR DRAWING IN METRES			
DESCRIPTION:		CLIENT: MR JOL BATES 5 FOREST GLADE CLOSE BROCKENHURST HAMPSHIRE SO42 7QY TEL: 01590 623292	
HARTLEY BOTANIC LIMITED Greenfield, Oldham, Lancashire, OL3 7AG. Tel: 01457 821958 Fax: 01457 821967		DRAWN: IAP DATE: 09.05.22 DRAWING No: HH24869-001 ISSUE B	MODIFICATION: [ ] CHECKED: RM SCALE: 1:40 ORDER No: HH24869