

SECTION

Timber:

Clear grade engineered hardwood timber: knot free

Glazing

24 mm Double glass unit comprising
4 mm Tough / 16 mm Argon / 4 mm Tough Planitherm Total+

Thermal Performance

U-Value 1.4
g-Value 73%
LT 79%

Acoustic Performance

Rw 32dB Rw

Weathering Performance

| | |
|----------|----------------------------|
| Standard | BS6375 Part 1 |
| Air | Class 3 (EN 12207:2000) |
| Wind | Class 5 (EN 12210:2000) |
| Water | Class 7A (EN 12208:2000) |

Operation & Strength

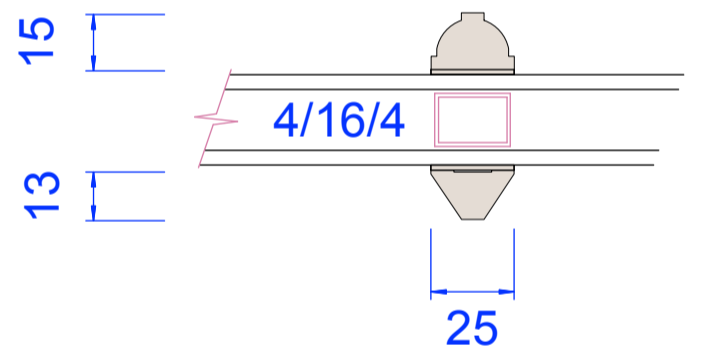
Classification Pass (BS6375 Part 2)

Sustainability

FSC Chain of Custody Yes

Security

PAS 24 / Part Q Pass



PLAN DETAIL