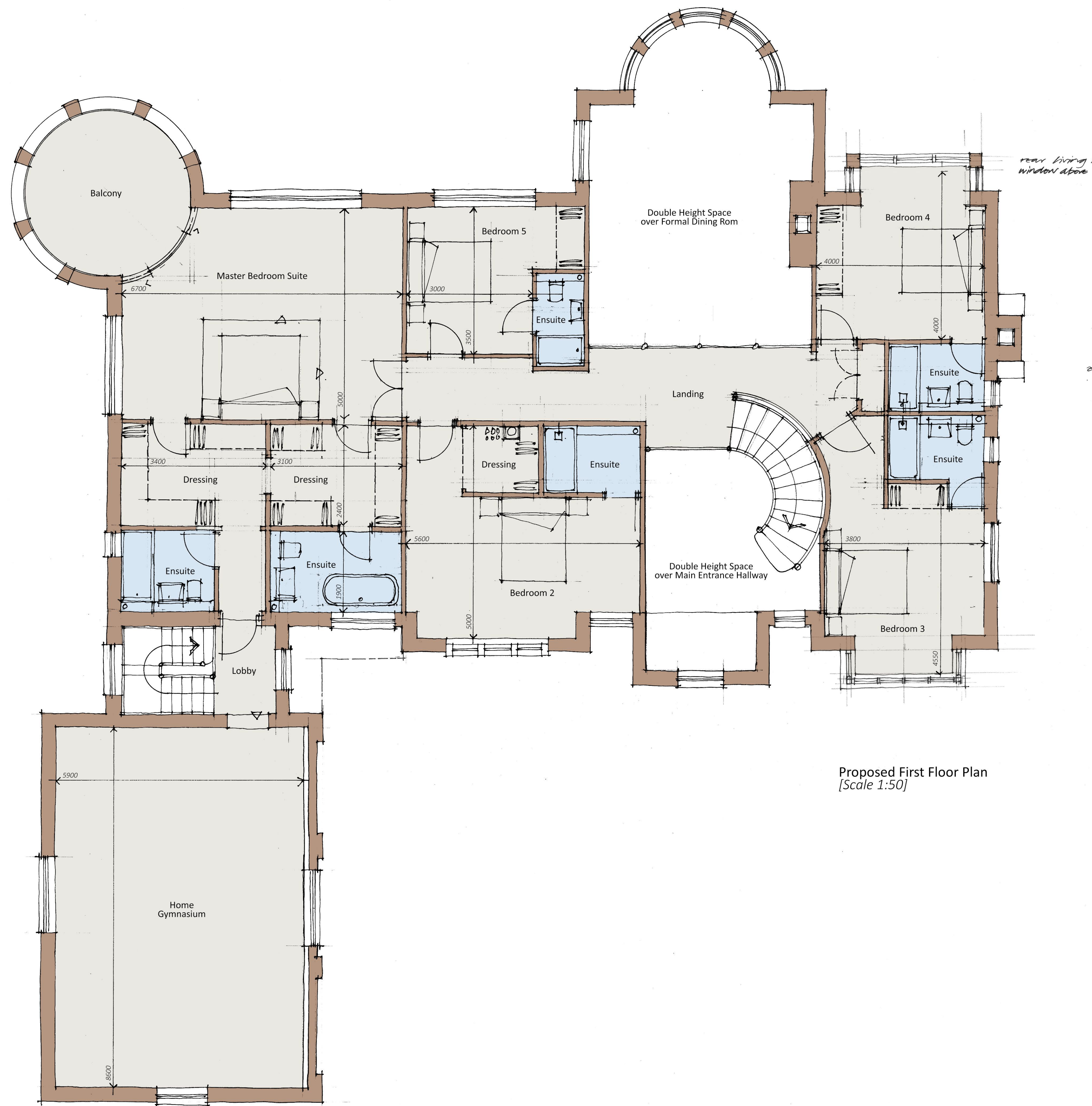
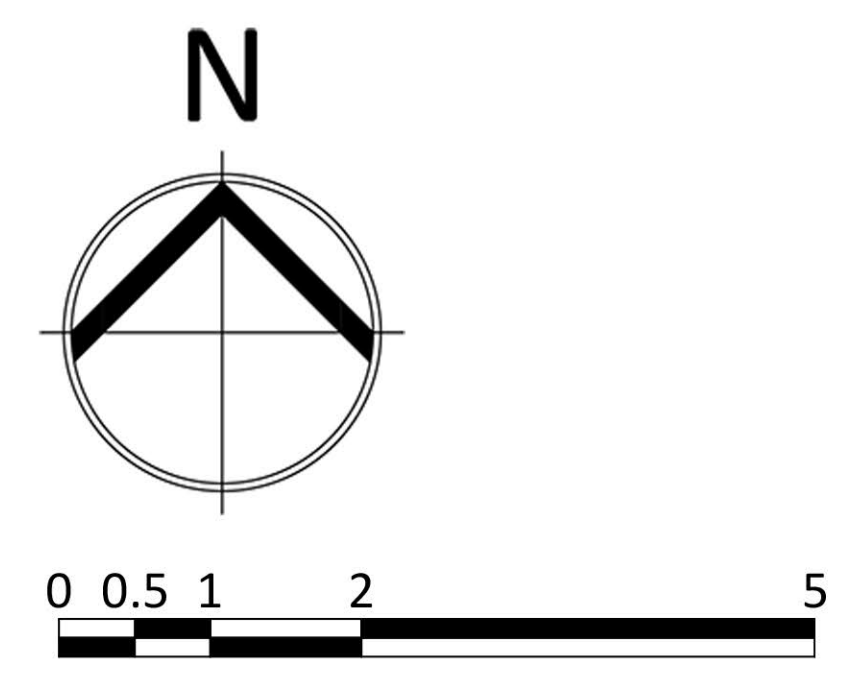


The Builder is to check and verify all buildings and site dimensions, levels and sewer invert levels prior to commencement of work.
 Do not scale off this drawing, work to figured dimensions only.
 This drawing must be read and checked with all structural and relevant specialist drawings.
 The Builder is to comply in all respects with the current Building Regulations and latest Codes of Practice.
 Copyright of this drawing and of work executed from it remain the property of RBH Ritchie & Ritchie Ltd.



rear living window above -
 room GF in doors



Proposed First Floor Plan
 [Scale 1:50]

Revisions		
No.	Description	Date

Yew House, Old Hall Drive
 Elford

Replacement Residential
 Development

RR Ritchie & Ritchie
 Architects

The Manor House,
 Lichfield Street,
 Tamworth,
 Staffordshire,
 B79 7QF

+44 (0)1827 62251



Proposed First Floor Plan

Scale	Date	Drawn	Job	Drawing
1:50	Nov 2021	IDR/BTE	7842	261C