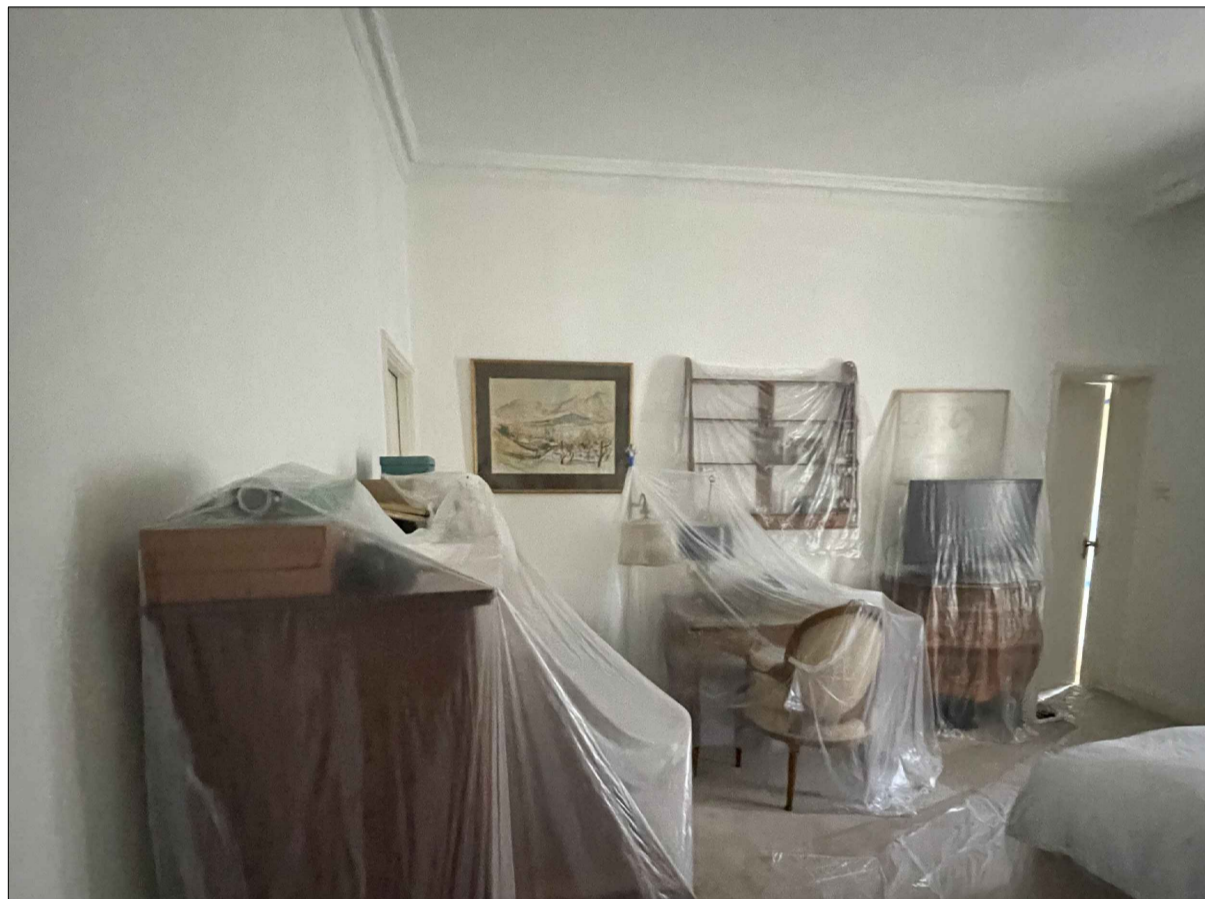
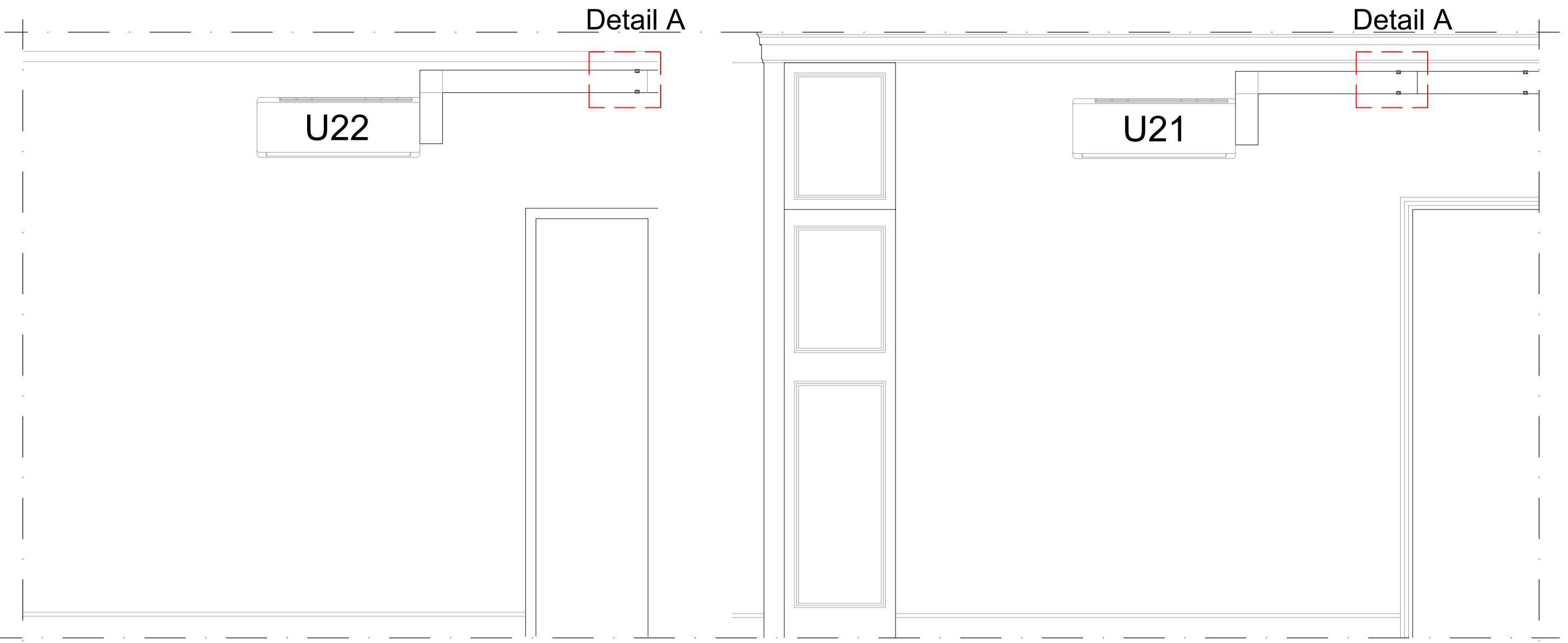
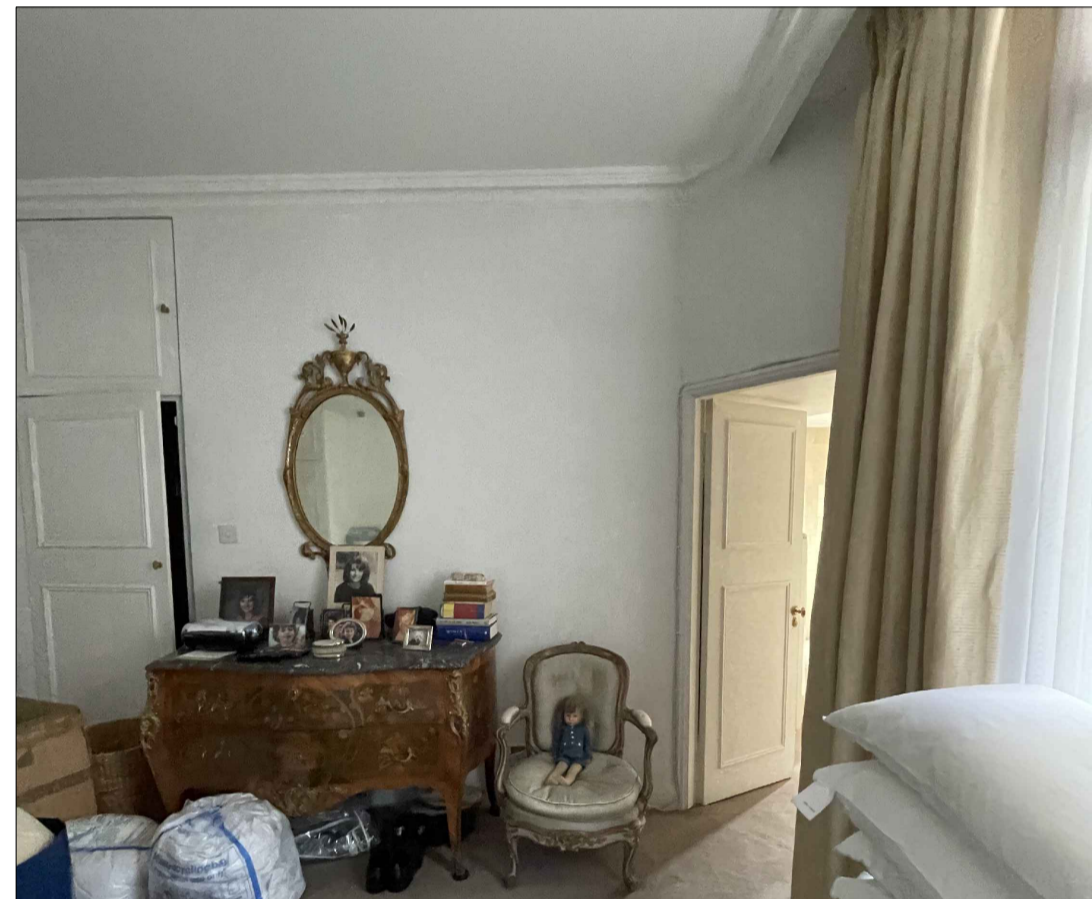


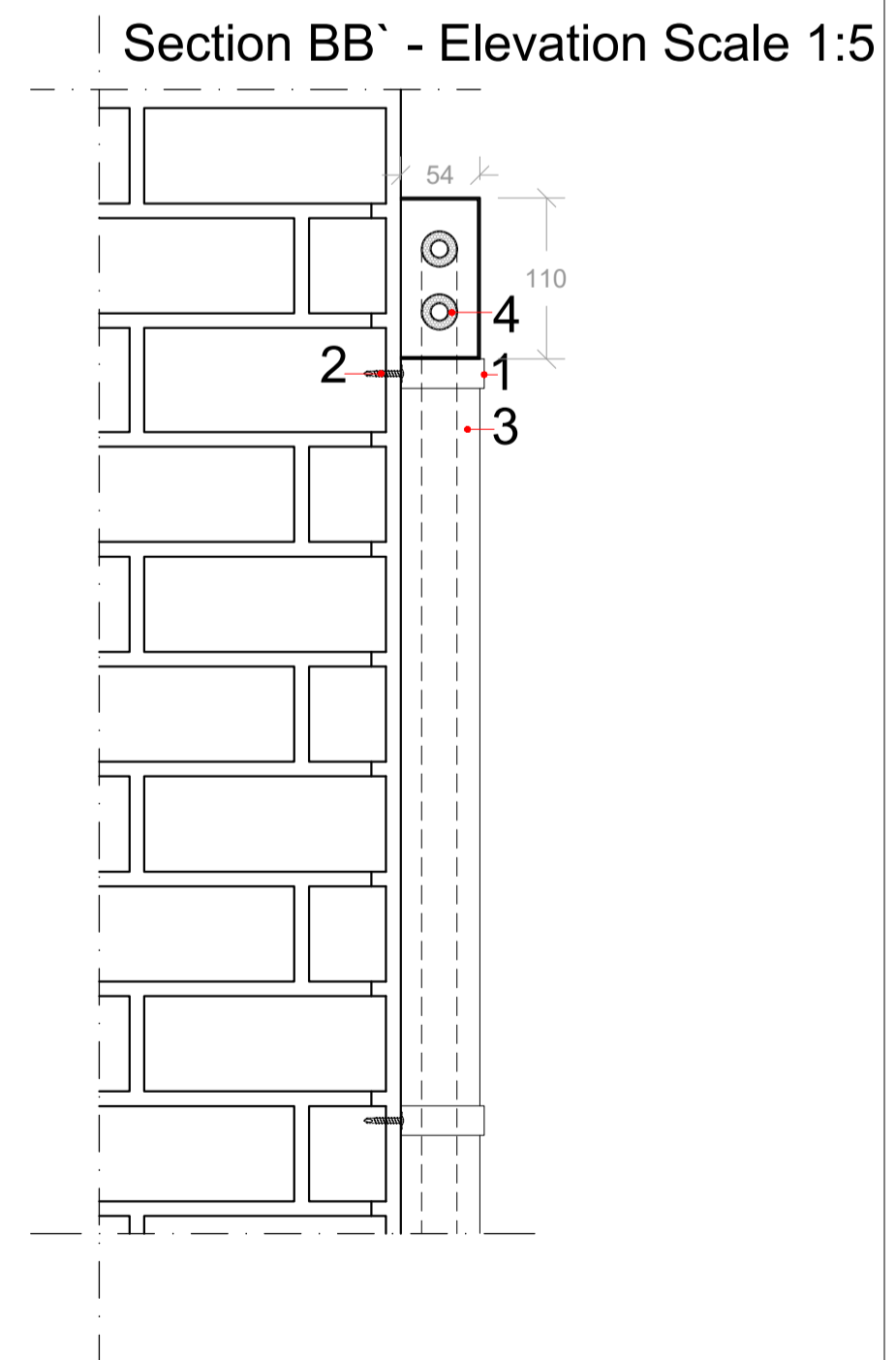
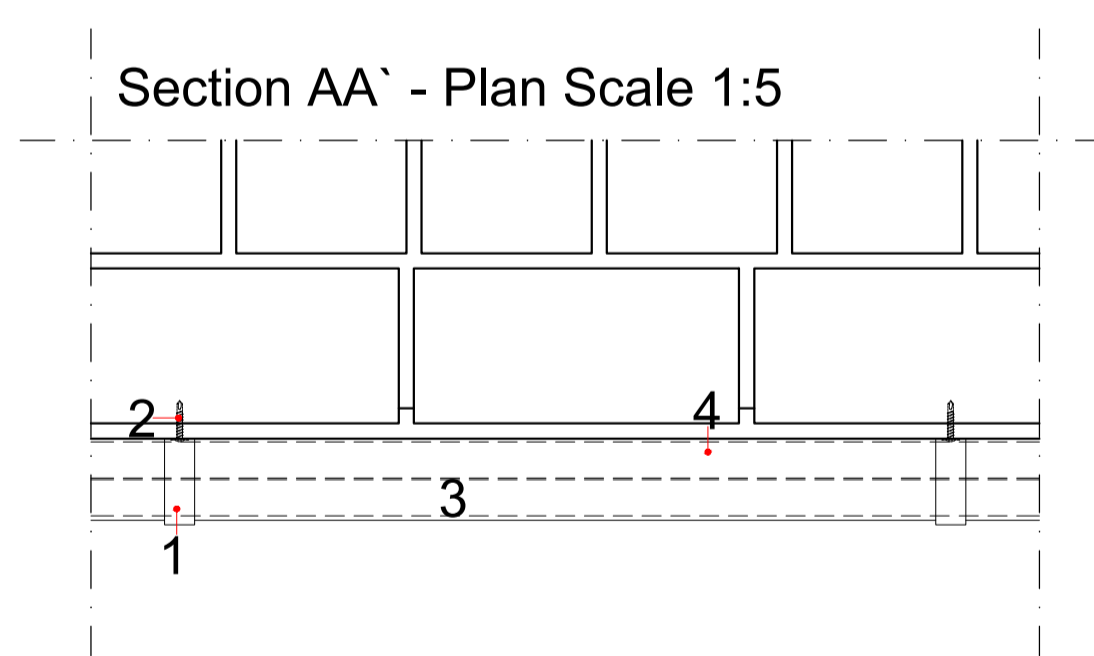
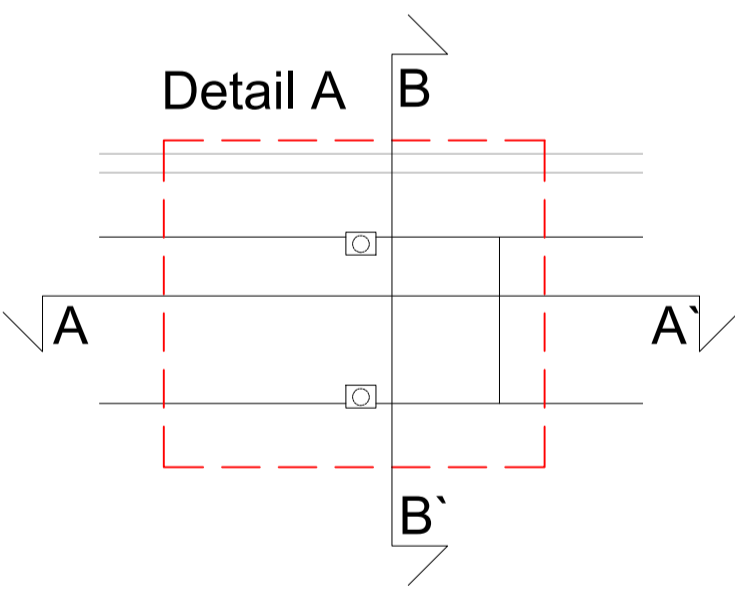
Internal ducts work enclosure Scale 1:20



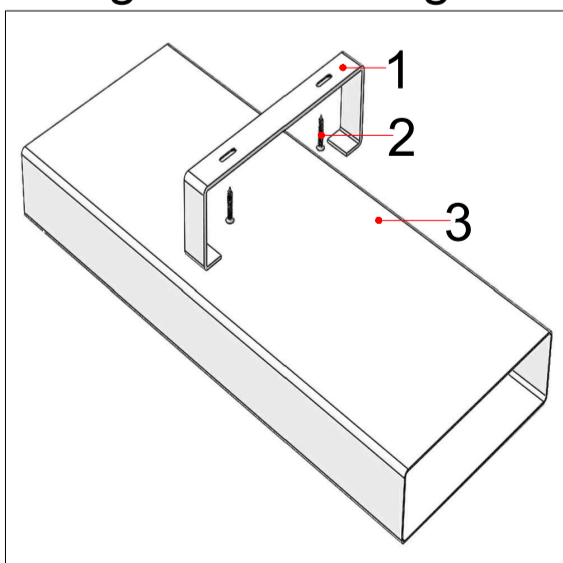
Flat 4 - Bedroom 3



Flat 4 - Bedroom 2

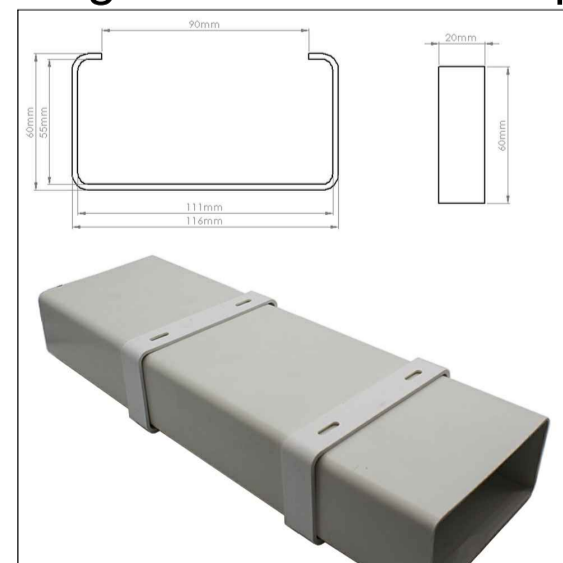


Fixing and cladding scheme



1. White plastic support bracket
2. Screws for fixing to the wall
3. White plastic flat duct pipe
4. Air conditioning pipes

Kair Rectangular flat channel clip



Dimensions Written dimensions to be taken in preference to scaled dimensions. The Contractor is responsible for checking all dimensions before work starts.
Local Authority All work is to be carried out to the requirements, and to the satisfaction of the Local Authority. These drawings are for planning purposes only.
Discrepancies Any discrepancies to be brought to the attention of Drawing And Planning Ltd. Immediately.

REVISIONS				
REV	DATE	DESCRIPTION	BY	CH

PROJECT TITLE		
Flat 4-6, Gloucester terrace		
DATE	REVISION	STATUS
June 2022	/	Planning

DRAWING TITLE	
Proposed-Internal ducts detail	
CLIENT	
Michele Beiny Harkins	
DRAWING No.	SCALE @ A2
GLOCE-D102	1:20/ 1:5

