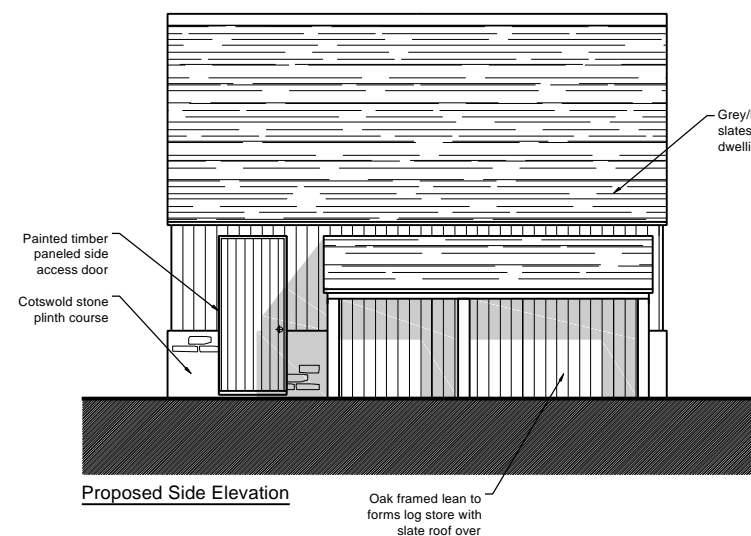
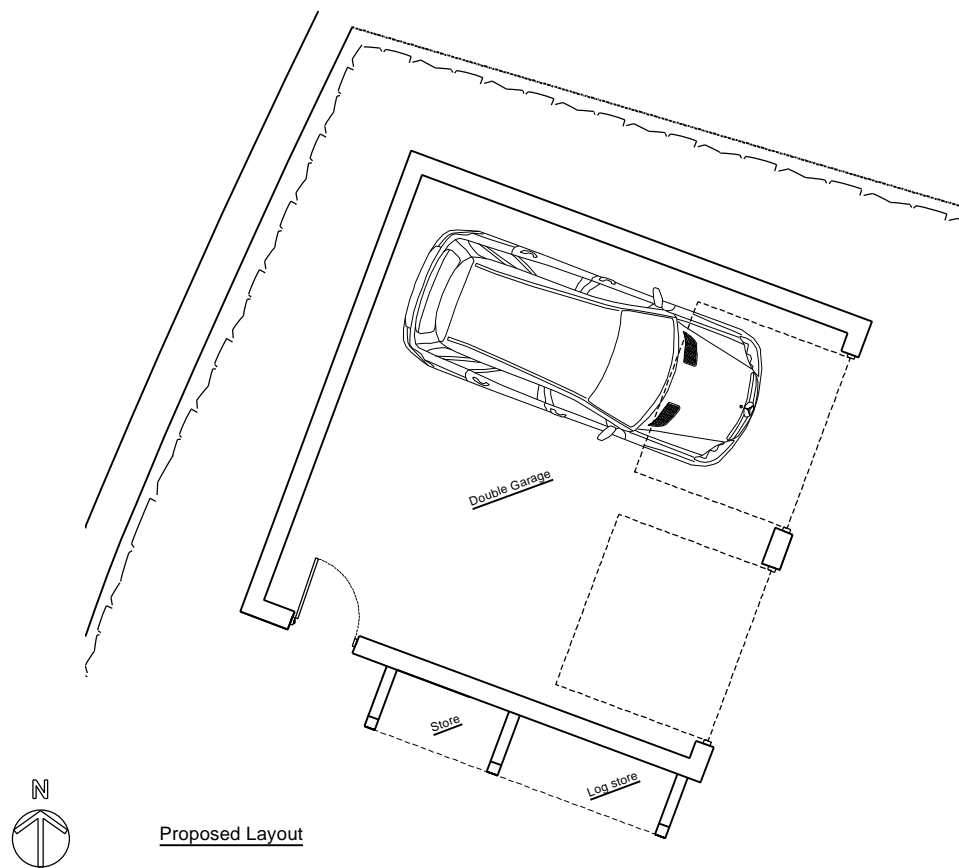


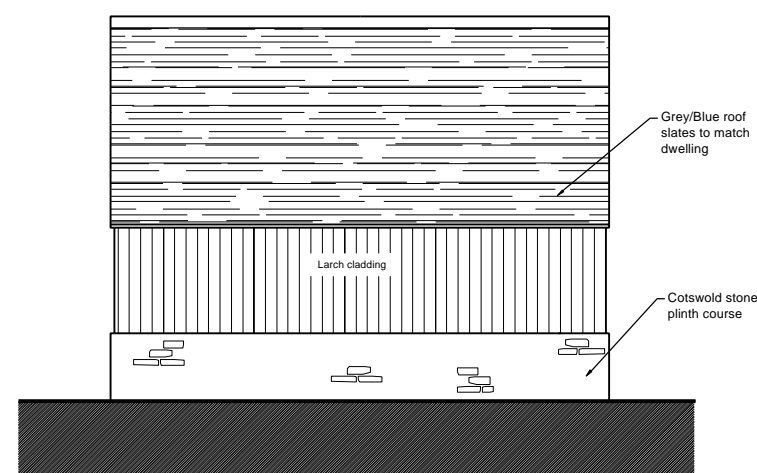
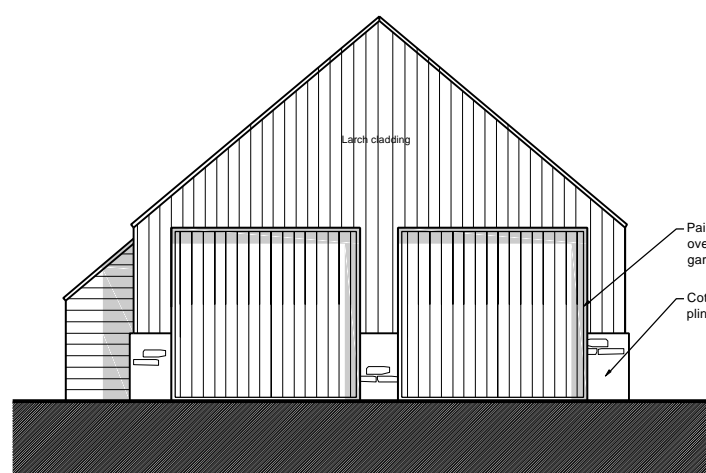
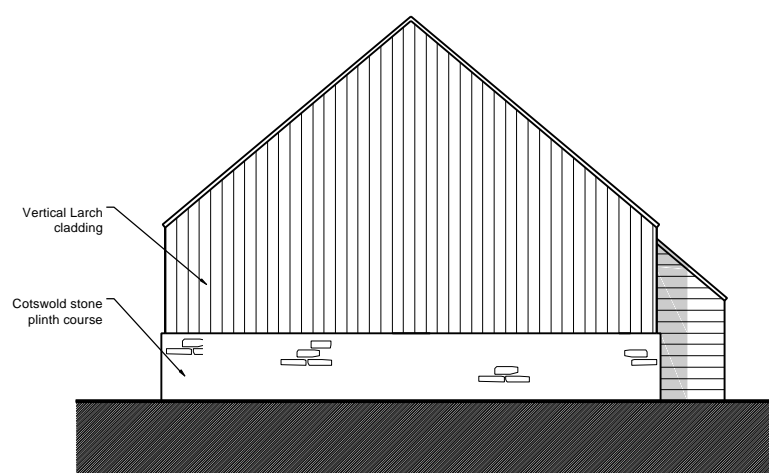
Notes:
 Adjacent Properties and Boundaries are shown for illustrative only and have not been surveyed unless otherwise stated.
 All areas shown are approximate and should be verified before forming the basis of a decision.
 Do not scale other than for Planning Application purposes.
 All dimensions must be checked by the contractor before commencing work on site.
 No deviation from this drawing will be permitted without the prior written consent of the A. Clarke Design Ltd.
 The copyright of this drawing remains with the A. Clarke Design Ltd and may not be reproduced in any form without prior written consent.
 Ground Floor Slabs, Foundations, Sub-Structures, etc. All work below ground level is shown provisionally. Inspection of ground condition is essential prior to work commencing.
 Reassessment is essential when the ground conditions are apparent, and redesign may be necessary in the light of soil conditions found.
 The responsibility for establishing the soil and sub-soil conditions rests with the contractor.



Larch cladding



Cotswold stone walling



Proposed Garage

REV	DATE	DESCRIPTION	INT

This drawing is copyright and must not be reproduced without the written consent of A. Clarke Design Ltd.
 Do not scale from this drawing. All written dimensions should be checked on site.
 A. Clarke Design Ltd to be informed of any dimensional discrepancy.

A. CLARKE DESIGN
 ARCHITECTURAL DESIGN SERVICES

A. Clarke Design Ltd
 Stanley Barn Farm, Stanley Postlarge
 Cheltenham, Glos, GL54 5HD
 www.aclarke.co.uk

Hill Cottage
 Cranham
 Stroud, Glos

Proposed Re Model & Extensions
 PROP. GARAGE

Scale	1:100@A3	PLANNING
Date	JUNE 2022	
Drawn	AC	1838-15