

Sent:1 Jul 2022 09:03:43 +0100
Subject:FW: Invalid Letter 22/01282/LDC

From: Calum McConnachie
Sent: 30 June 2022 15:24
To: planning
Subject: Fwd: Invalid Letter 22/01282/LDC

[CAUTION: This email originated from outside of the organisation. Do not click on links or open attachments unless you recognise the sender and know the content is safe]

Application Reference:22/01282/LD

**MR CALUM MCCONNACHIE Manor Farm House, Low Road, Besthorpe,
Nottinghamshire, NG23 7HJ**

Hi Susan.

I hope you are well,

I have just heard back form the supplier,

The panels are Length 1776mm, Width 1052mm, Depth 35mm and weigh 20.7 kg. They sit well within the length of the roof but will protrude 185mm using the standard approved mounting brackets. This allows a 7.5% buffer to cover any variables within the roof to ensure the installation is within 200mm.

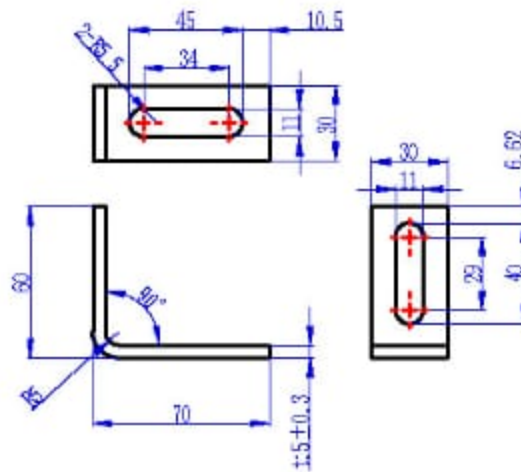
I have attached the plans of the brackets with the dimentions.

Best Regards

Calum

Calum McConnachie

Figure No	ING-TRH-WDA180
Title	Double Adjustable 180Deg Roof Hook

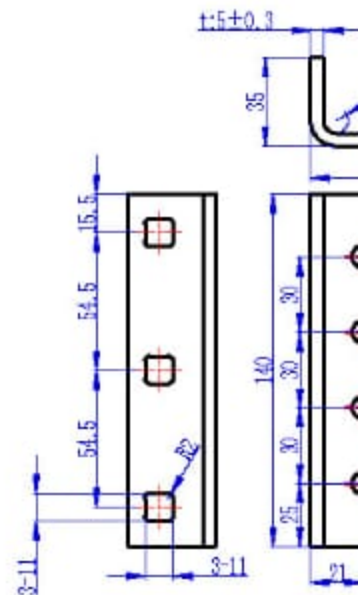


Part 1: curved arm

Technical Requirements:

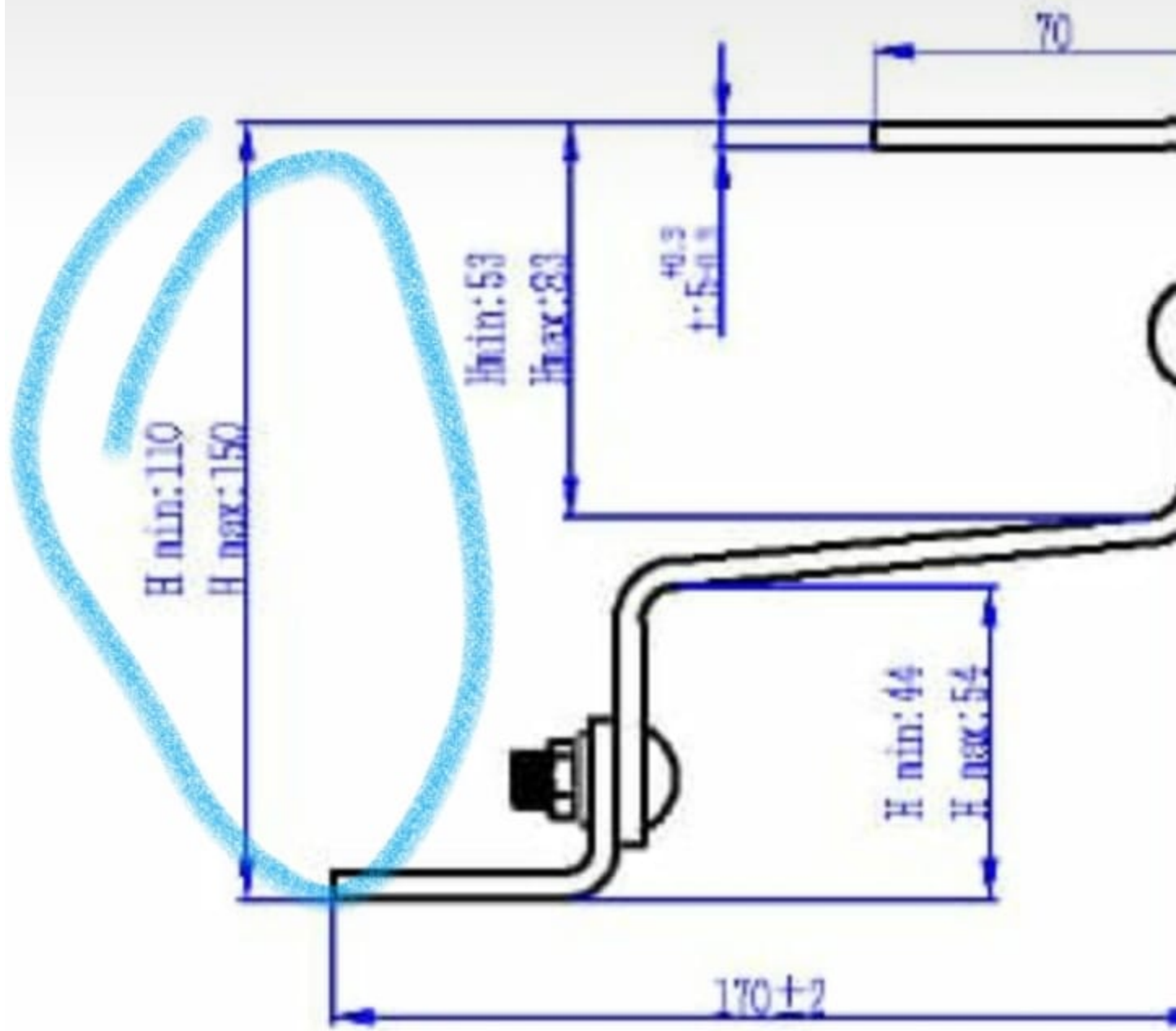
1. Material: SUS304 material thickness T: 5.0;
2. Dimension tolerance refer to tolerance requirement chart
3. The surface of products should be smooth, clean without any oil stain, should not be excessive deformation and any

Part 3:



Part 2: bott

[CAUTION: This email originated from outside of the organisation. Do not click on links or open attachments unless you recognise the sender and know the content is safe]



[CAUTION: This email originated from outside of the organisation. Do not click on links or open attachments unless you recognise the sender and know the content is safe]
