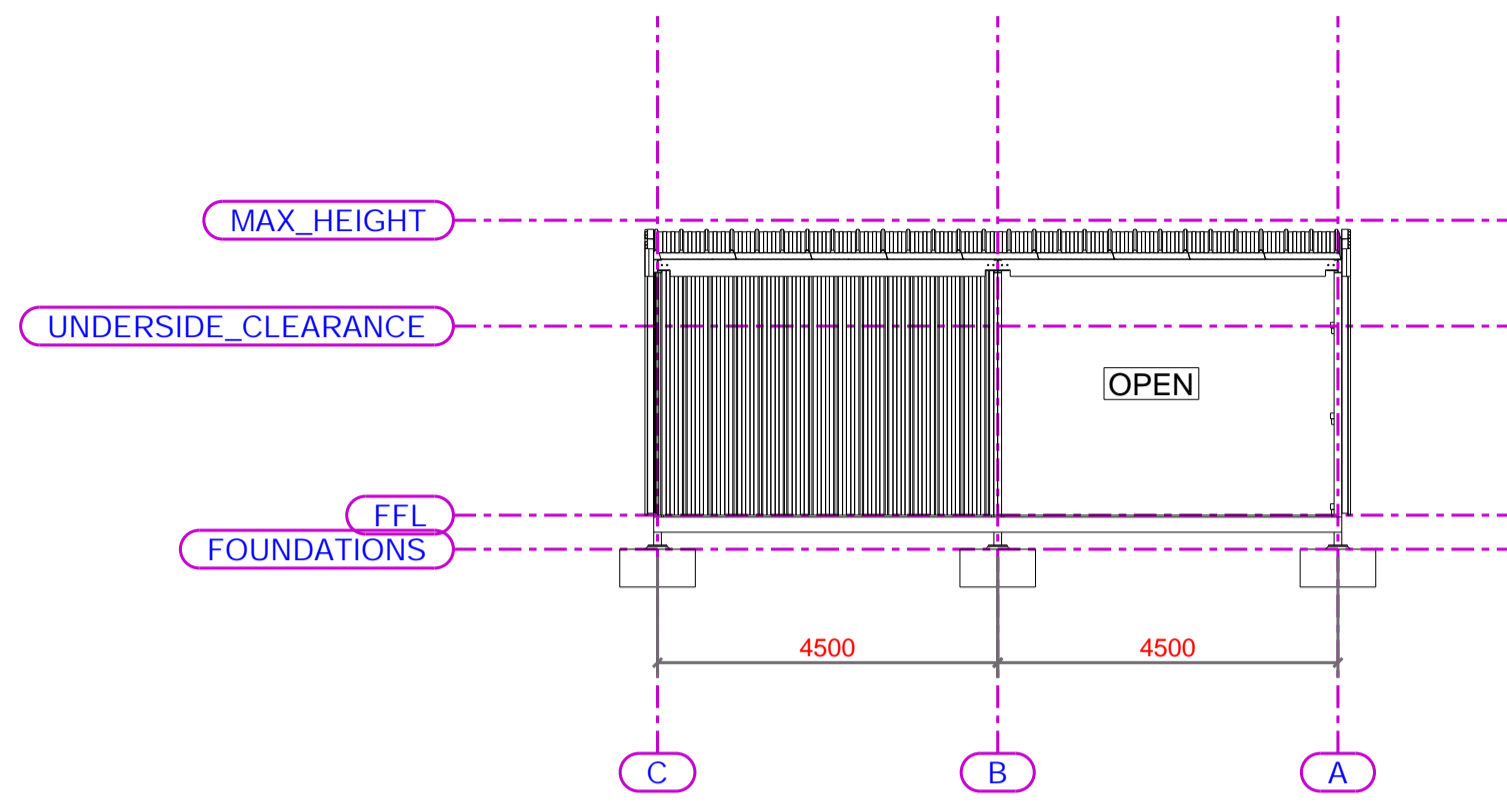
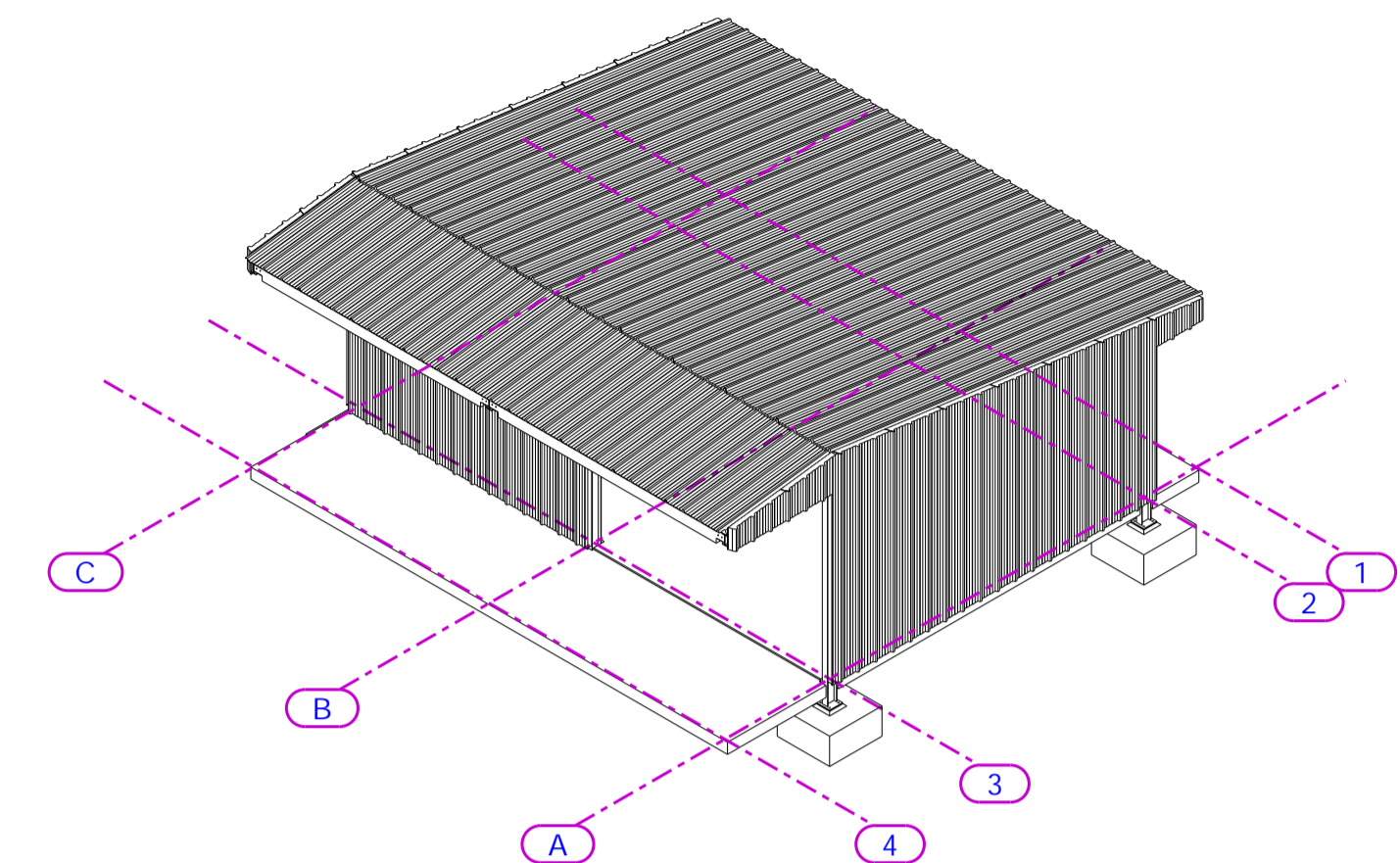


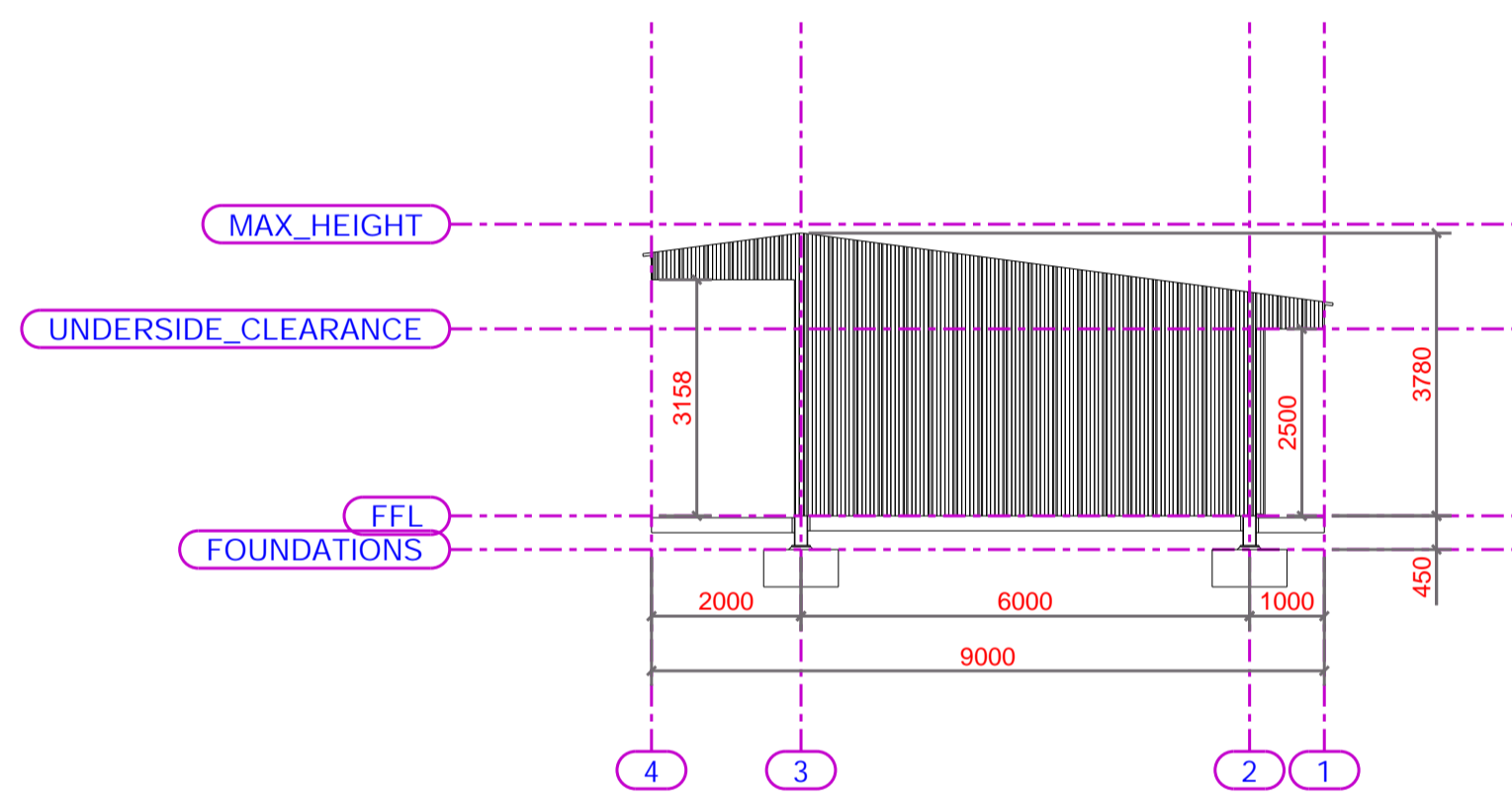
Roof Plan



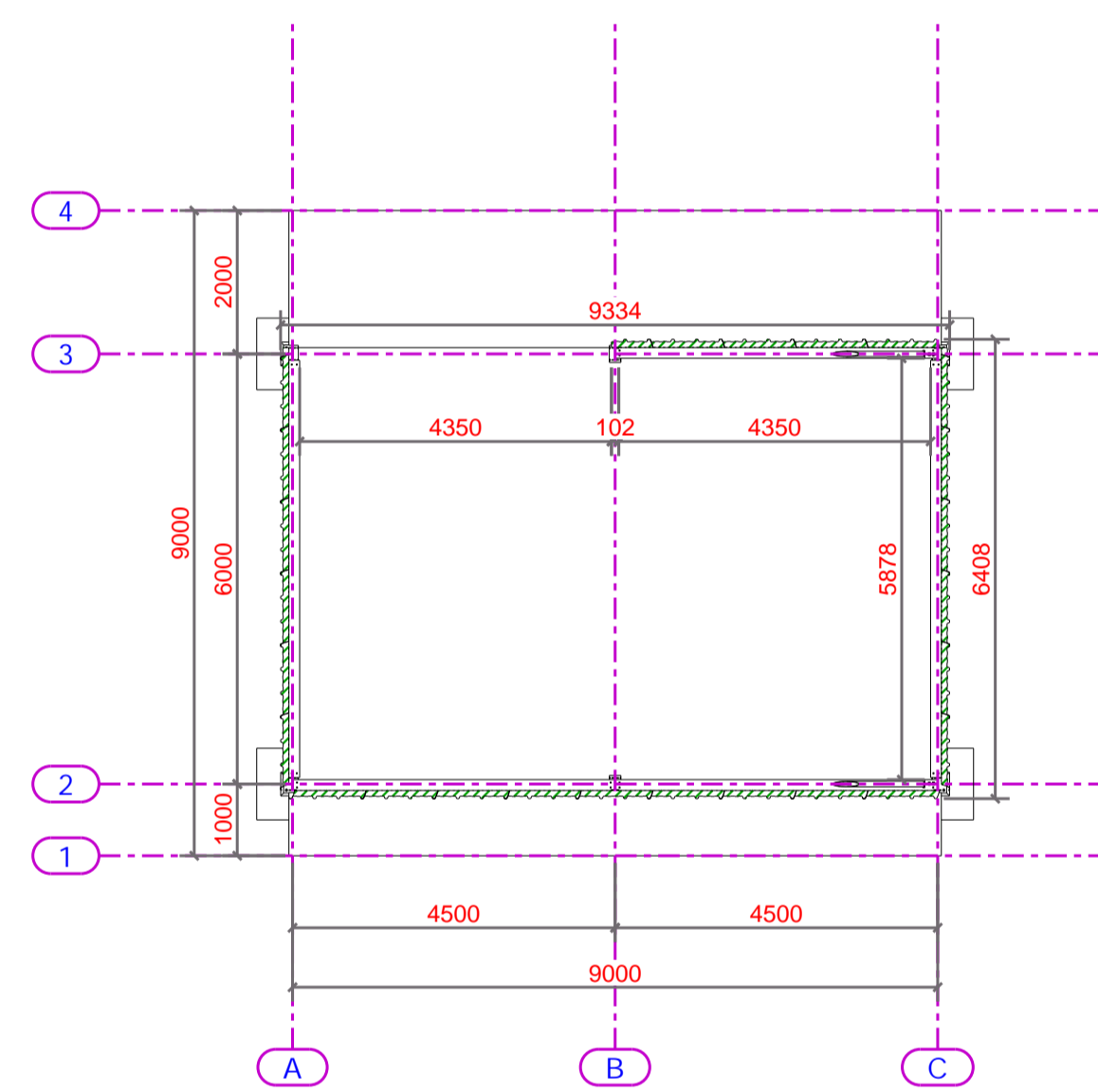
Grid 4



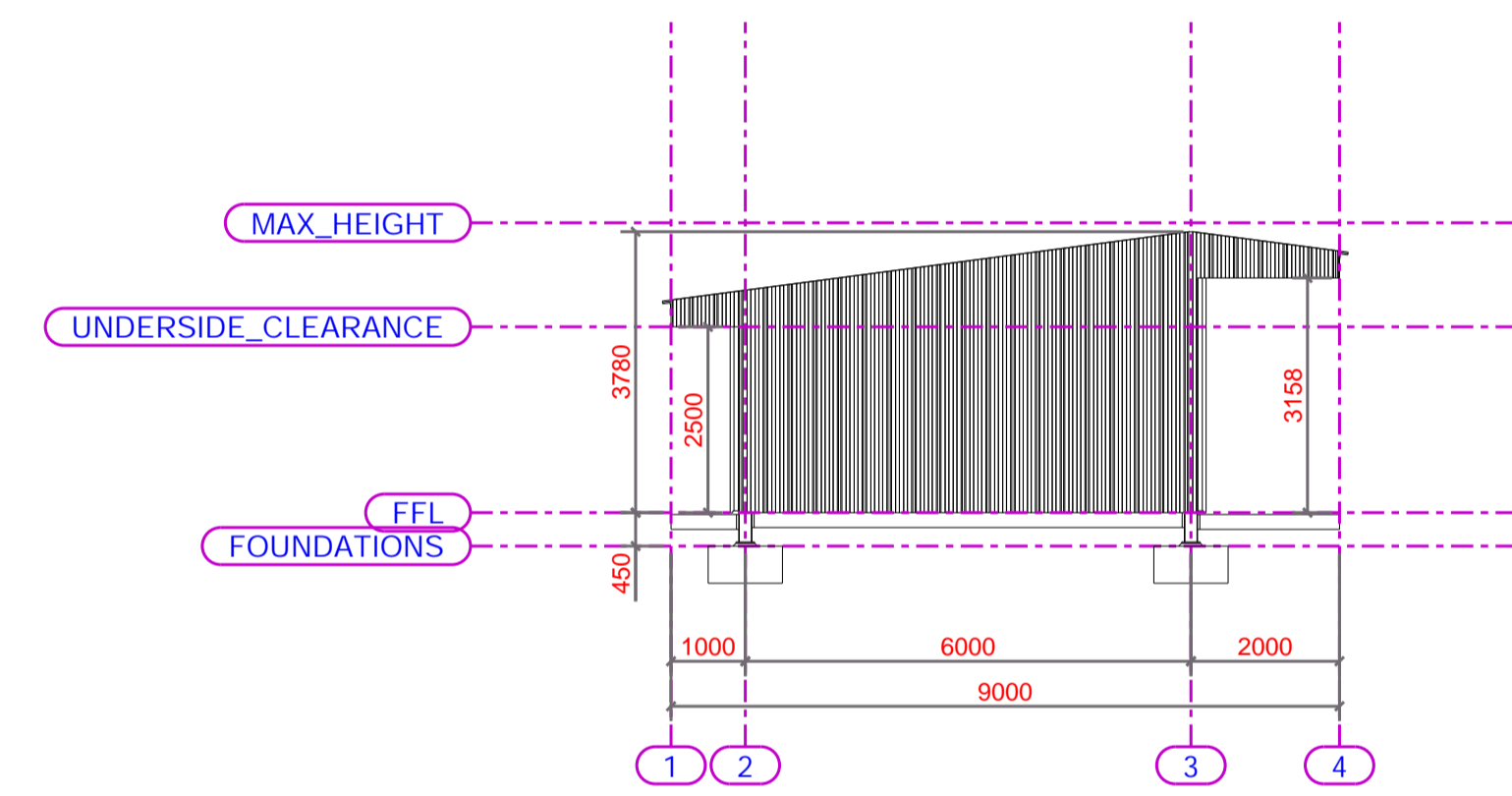
Isometric View



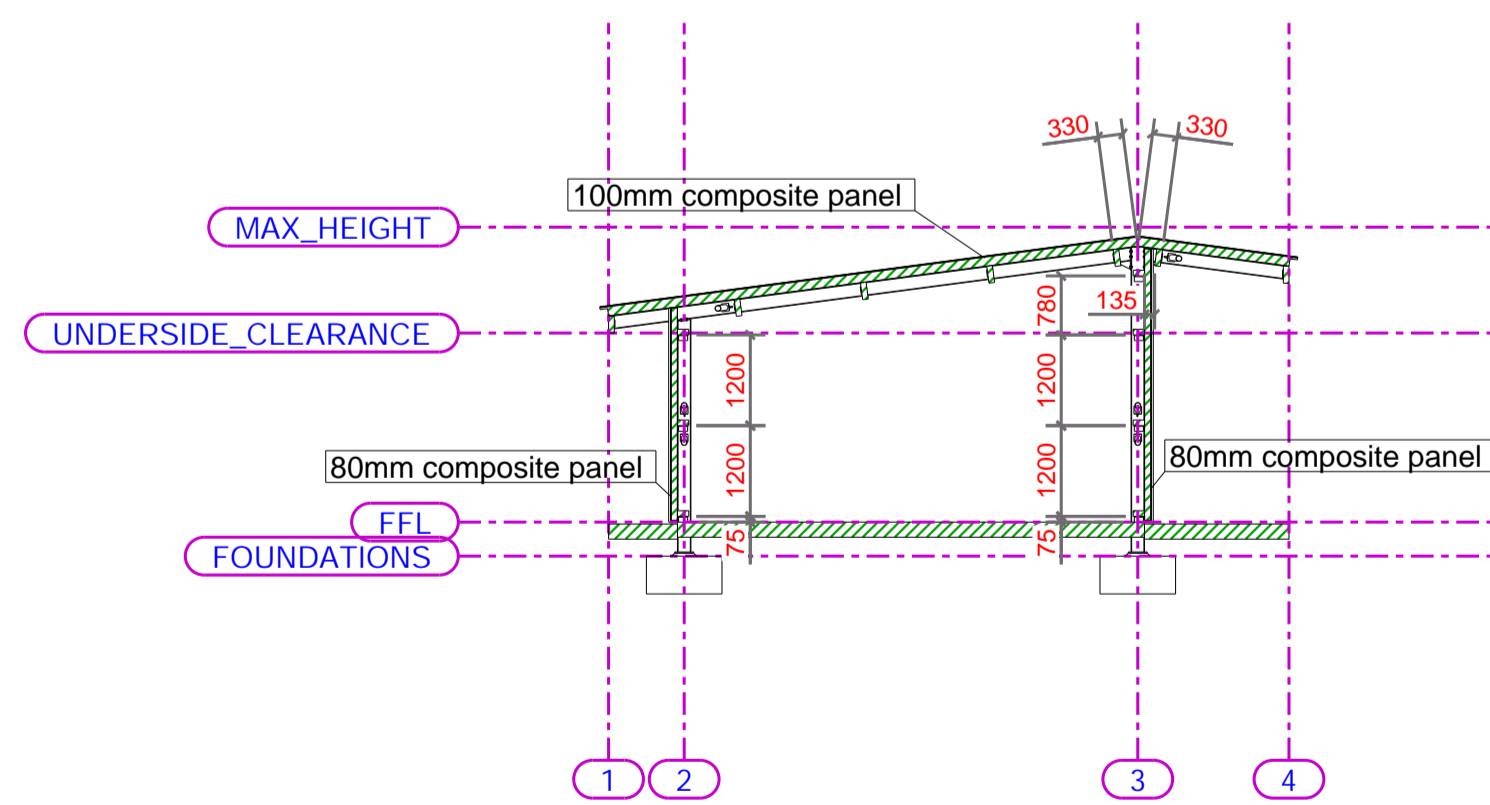
Grid A



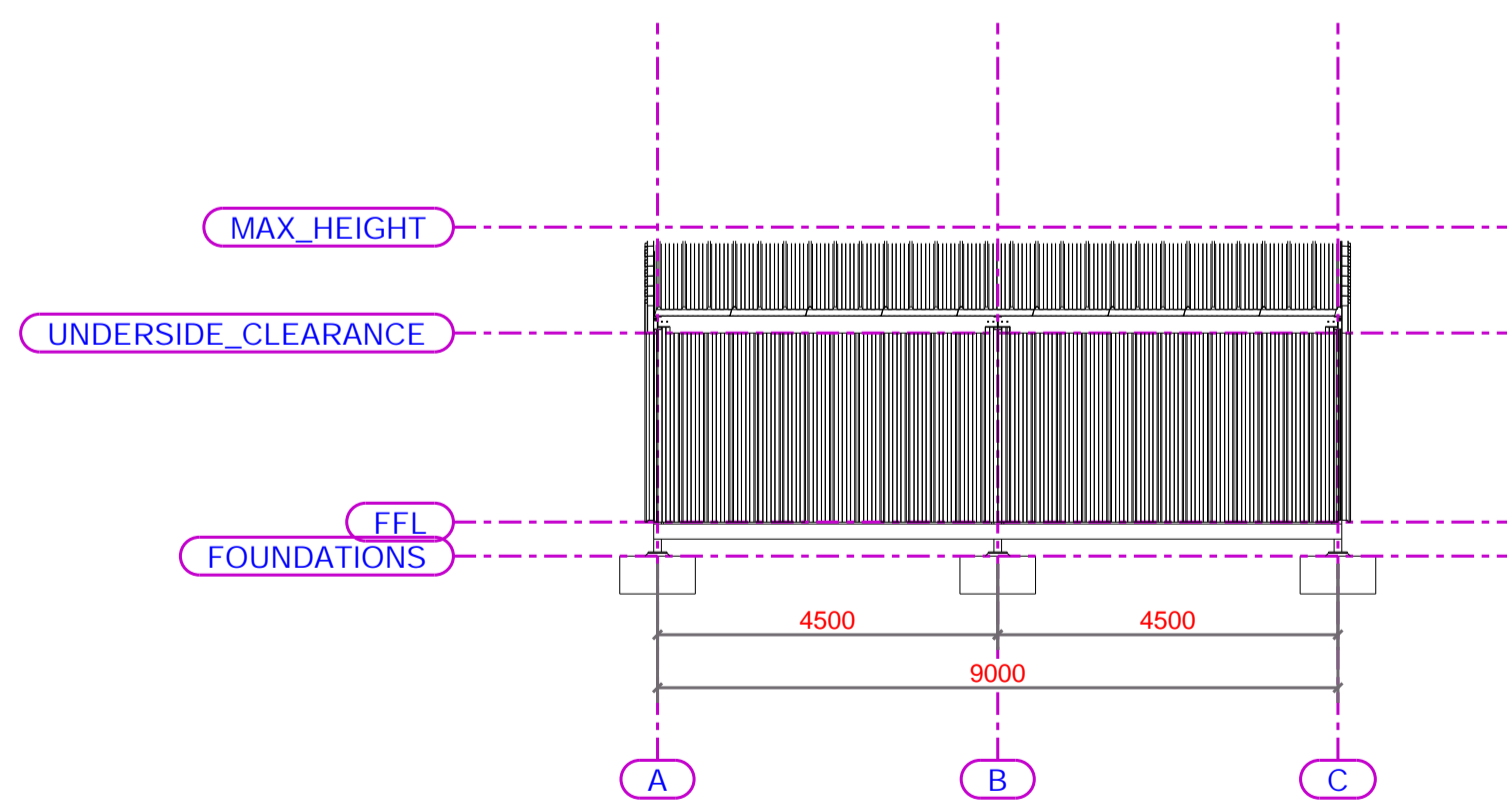
Floor Plan




Grid C



Cross Section



Grid 1

A	Issued for approval	M.M	13.09.2021		
REV MARK	DESCRIPTION	By	Date	By	Date
		CREATED		CHECKED	
DRG BUILDER					
DRG ADDRESS					
DRAWING TITLE	Proposed Views				
CONTRACT	DRG PROJ NAME				
MODELLED BY	DRG MODELL***	ISSUE DATE	13.09.2021		
CONTRACT NO	DRG PROJ No.	SCALE	1:100		
DRAWING No	G [1]	REVISION No.	A		