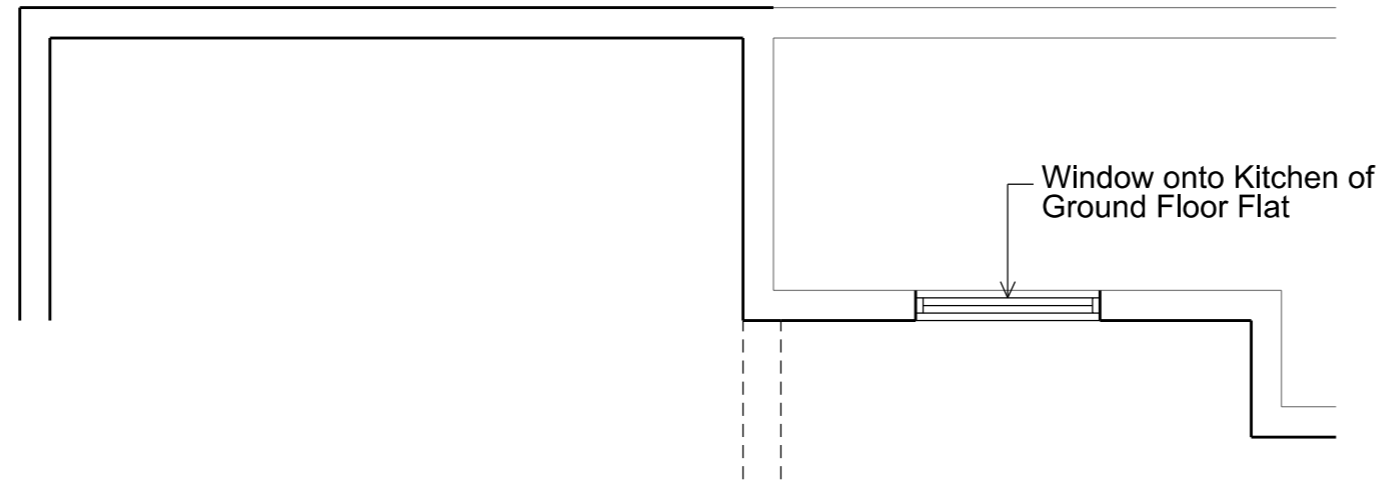
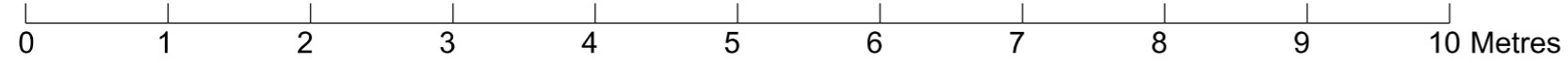
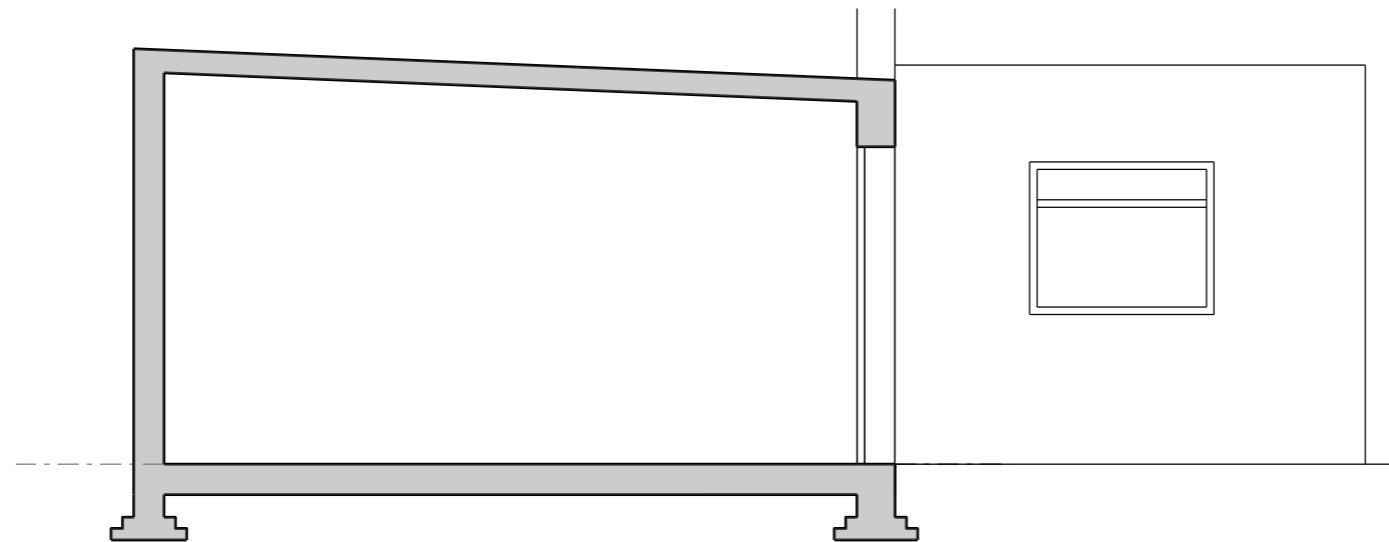


Metric Scale Bar



Part Plan @ 1:50



Section/ Return Elevation @ 1:50

Drawing Scale is 1:50
Paper Size is A3

SHAPE Architecture
WWW.SHAPEARCHITECTURE.CO.UK

FOR PLANNING

**14 Westbourne Gardens
Hove BN3 5PP**
PROJECT

Existing Survey Sheet 05
DRAWING

Survey

1:50 @A3 May 2022
SCALE DATE

SU007
DWG. NO. REVISION

This drawing is copyright Shape Architecture Ltd.
The Contractor must not scale from the drawing.
All dimensions to be taken from dimension strings.
Where any discrepancies are found between
dimensions these must be brought to the attention
of the Architects for resolution. Where discrepancies
exist between reference or assembly drawings and
detail drawings the latter take preference.