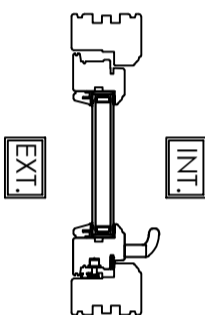
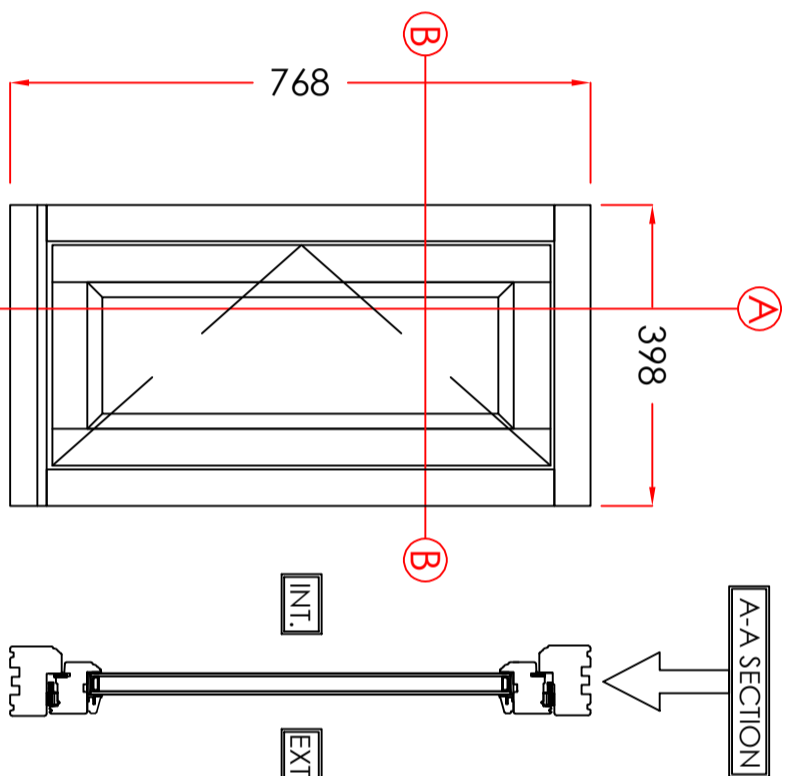


B-B SECTION

1. SNUG

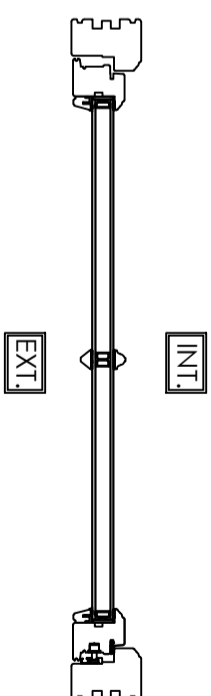
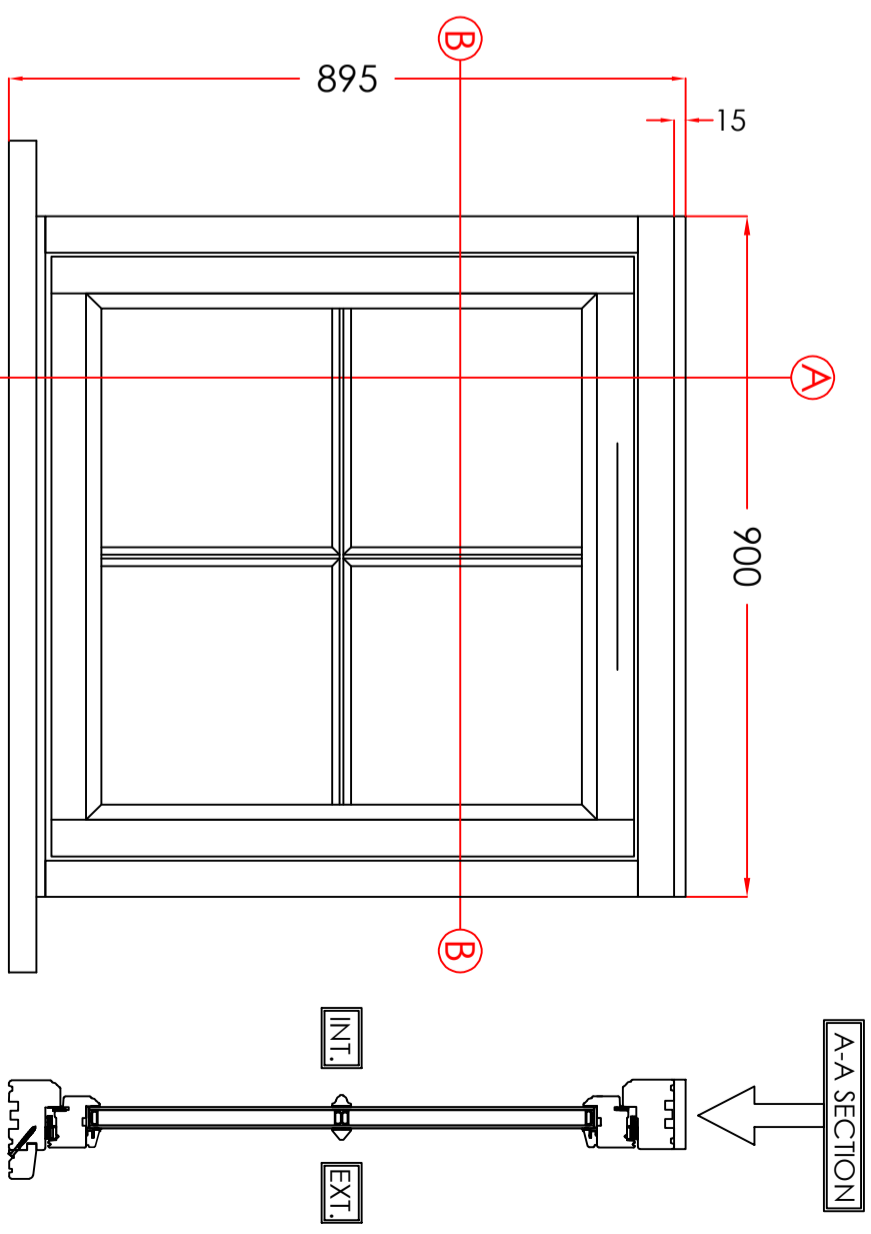
MATERIAL - TIMBER
INTERNAL & EXTERNAL COLOUR - WHITE
GLAZING - 28MM SEALED UNITS



B-B SECTION

2. SNUG

MATERIAL - TIMBER
INTERNAL & EXTERNAL COLOUR - WHITE
GLAZING - 28MM SEALED UNITS



B-B SECTION

3. LANDING

MATERIAL - TIMBER
INTERNAL & EXTERNAL COLOUR - WHITE
GLAZING - 28MM SEALED UNITS

VIEWED EXTERNALLY

THESE DRAWINGS ARE THE PROPERTY OF ANGLIAN HOME IMPROVEMENTS
AND MUST NOT BE USED, DISTRIBUTED, LOANED OR COPIED WITHOUT THE
EXPRESS PERMISSION OF ANGLIAN HOME IMPROVEMENTS.

Scale - 1:10

(Produced on A3 Paper)

Sheet 1 of 9

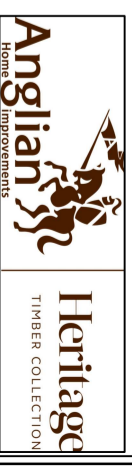
Drawers Initials
DJP/SF

CONTRACT No.: 30353002

Date: 22.06.22

PROPOSED: Replacement Windows
AT:
(INSTALLATION ADDRESS)
17 Middle St.
Wing

Oakham
Leicestershire
LE15 8RZ



Heritage
TIMBER COLLECTION

Scale Bar
1:10 (mm)

