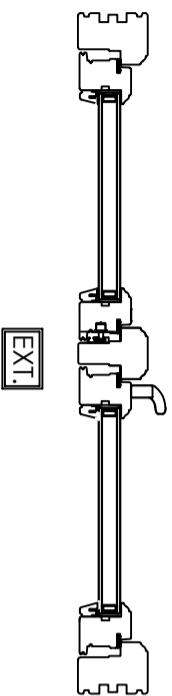


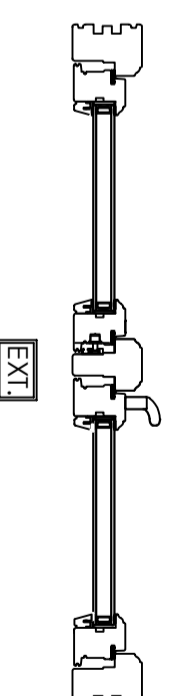
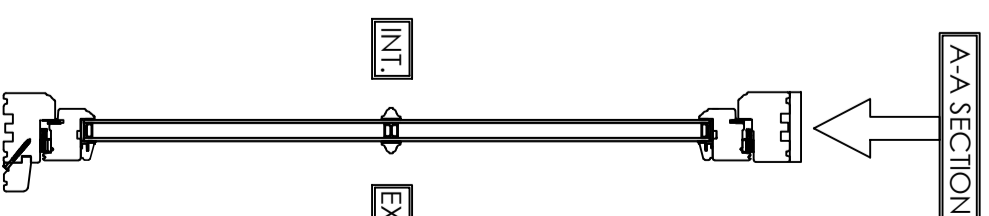
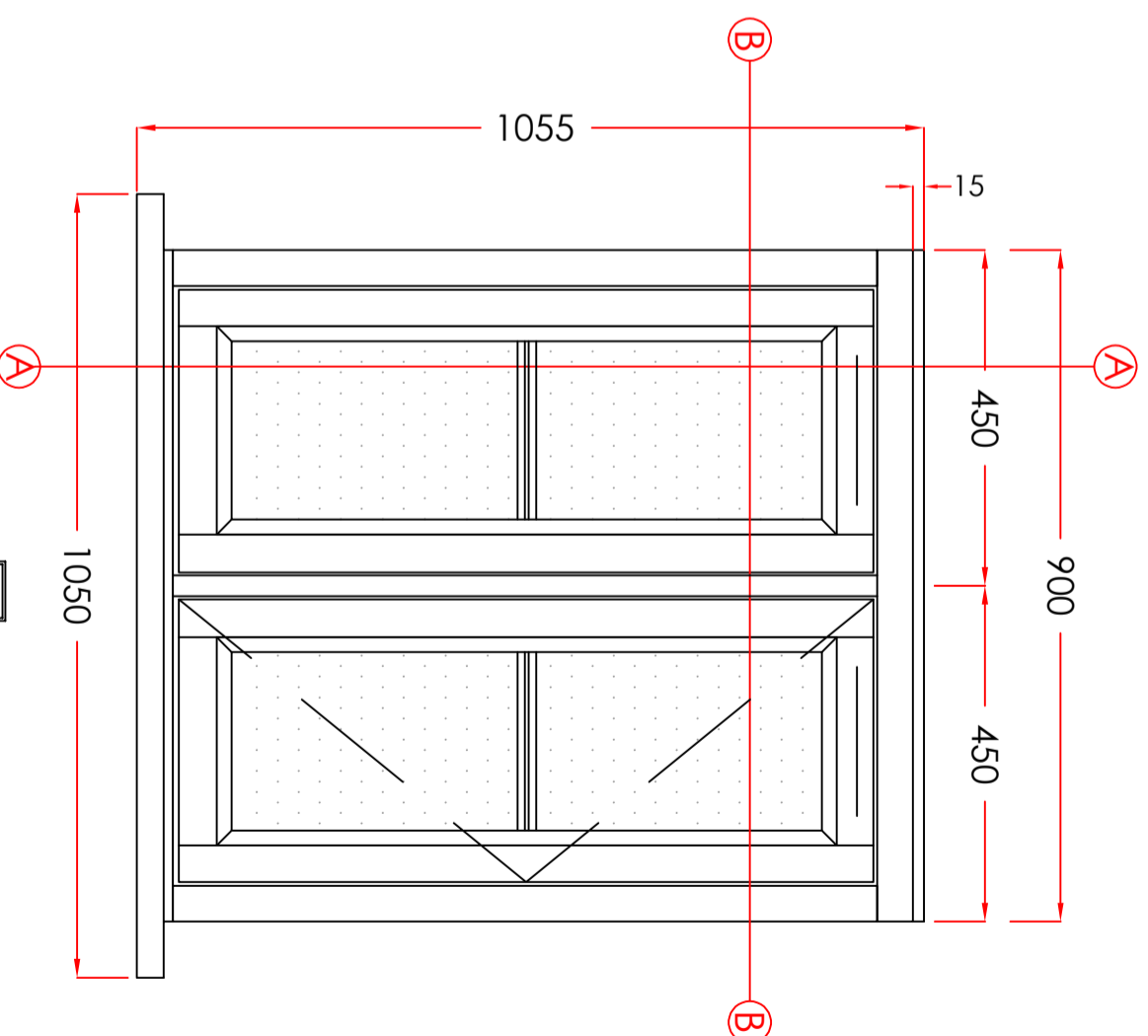
SILVER MIST OBSCURE GLASS



B-B SECTION

#### 4. BATHROOM

MATERIAL - TIMBER  
INTERNAL & EXTERNAL COLOUR - WHITE  
GLAZING - 28MM SEALED UNITS



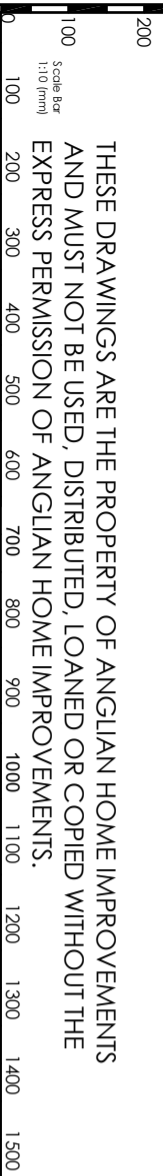
B-B SECTION

#### 5. BATHROOM

MATERIAL - TIMBER  
INTERNAL & EXTERNAL COLOUR - WHITE  
GLAZING - 28MM SEALED UNITS

## VIEWED EXTERNALLY

THESE DRAWINGS ARE THE PROPERTY OF ANGLIAN HOME IMPROVEMENTS AND MUST NOT BE USED, DISTRIBUTED, LOANED OR COPIED WITHOUT THE EXPRESS PERMISSION OF ANGLIAN HOME IMPROVEMENTS.



Scale - 1:10

(Produced on A3 Paper)

Sheet 2 of 9

CONTRACT No.: 30353002

Date: 22.06.22

PROPOSED: Replacement Windows  
AT: (INSTALLATION ADDRESS)  
17 Middle St.  
Wing

Drawers initials  
DJP/SF

Oakham  
Leicestershire  
LE15 8RZ

