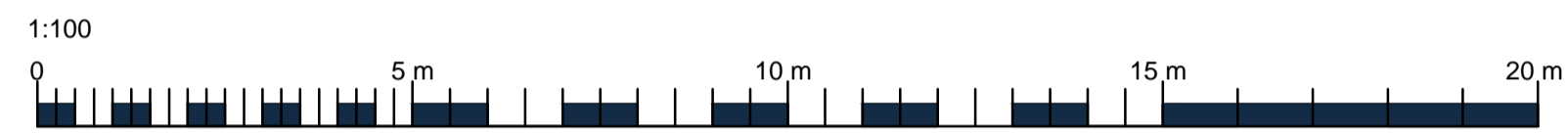
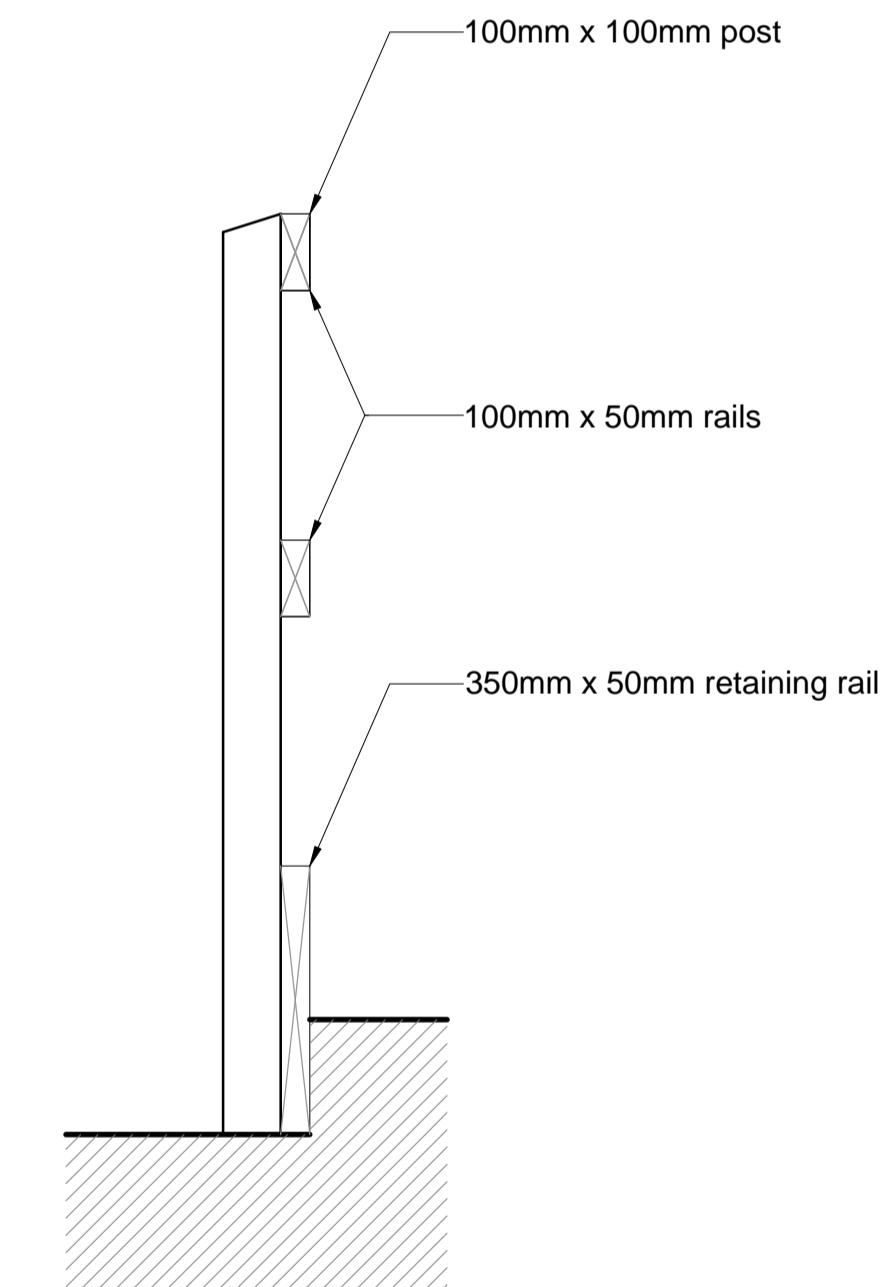
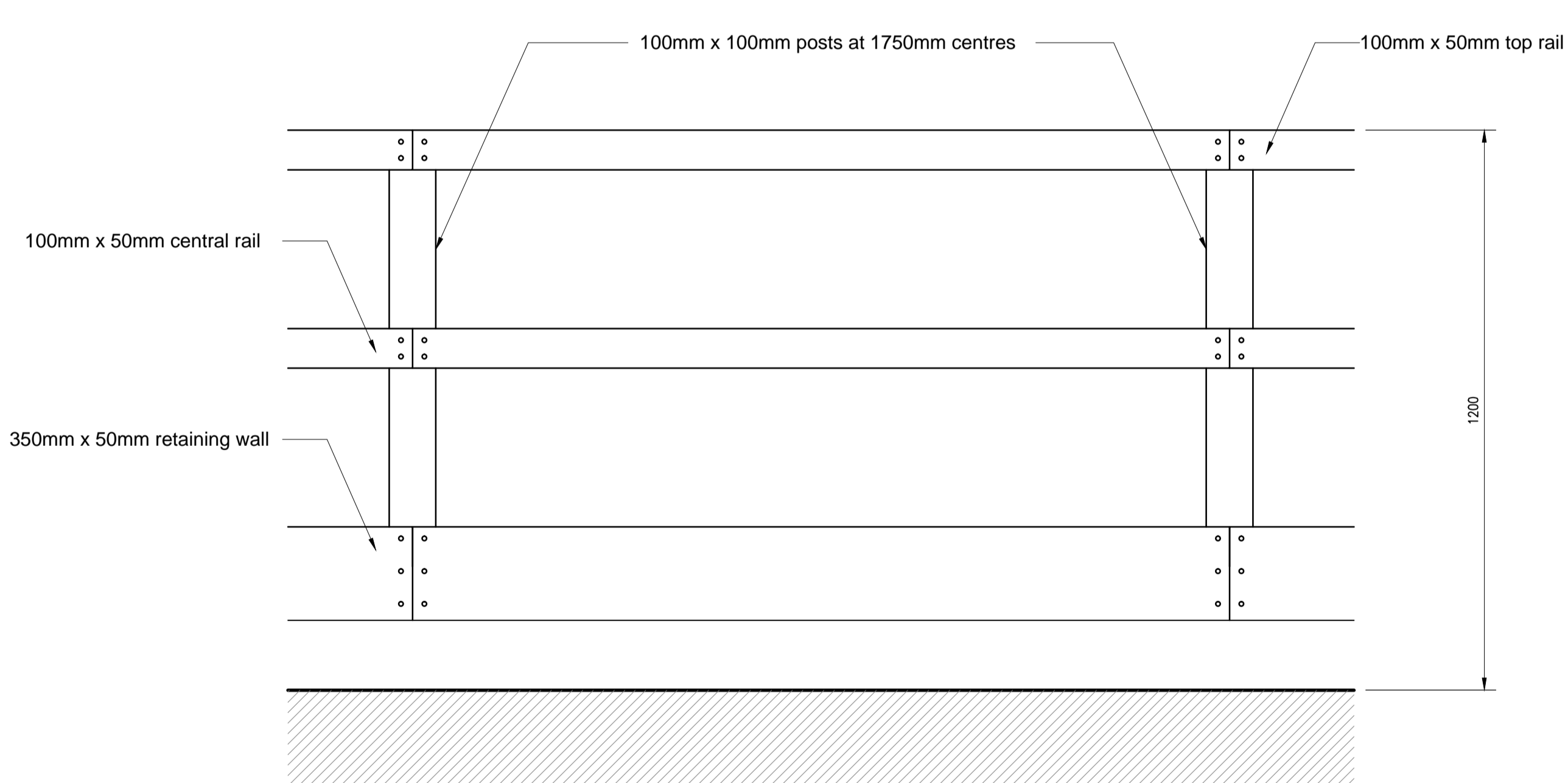


SECTION THROUGH MENAGE

Scale 1:100

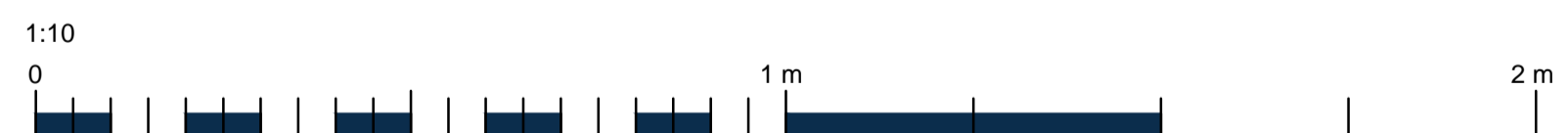


FENCE DETAILS



ELEVATION

Scale 1:10



SECTION

Scale 1:10

Rev	Date	Description	Dwn	Chk

PROJECT
Edward Leedham
The Bandlands, Clifton Campville
Tamworth, B79 0BE

TITLE
Proposed Menage

SCALE	DATE	DRAWN BY	CHECKED BY
AS SHOWN @A1	JUN/22	SC	AA

JOB NO.	DRAWING NO.	REVISION
AA/0000/0000	200_02	

acorus acorus.co.uk
Planning. Design. Property.

PLANNING ISSUE

NOTES:
 1. Use written dimensions only. All dimensions to be checked on site and any discrepancies reported to ACORUS immediately. If in doubt ask.
 2. Where relevant, significant hazards have been identified on the drawing. Hazards which should be obvious to a competent contractor or unforeseeable have not been identified.
 3. This drawing is confidential and remains the exclusive property of ACORUS.
 4. Ordnance Survey Paper Map Copying Licence Number: 100039456.
 © ACORUS Rural Property Services Ltd.

