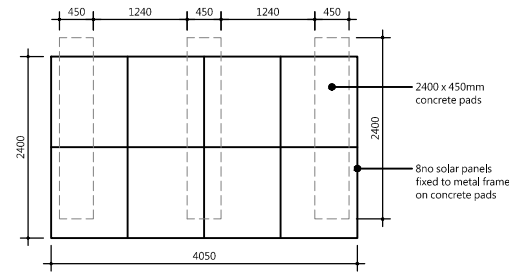
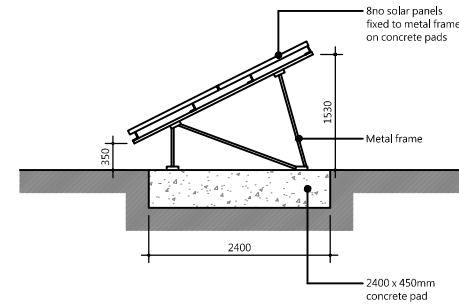


THIS DRAWING IS TO BE READ IN CONJUNCTION WITH ALL RELATED DRAWINGS. ALL DIMENSIONS MUST BE CHECKED AND VERIFIED ON SITE BEFORE COMMENCING ANY WORK OR PRODUCING SHOP DRAWINGS. THE ORIGINATOR SHOULD BE NOTIFIED IMMEDIATELY OF ANY DISCREPANCY. THIS DRAWING IS COPYRIGHT AND REMAINS THE PROPERTY ROGER PARRY & PARTNERS.

Rev	Description	Date	By
-	-	year/mm/dd	--



PLAN



ELEVATION / SECTION



Residential - Agricultural - Commercial

Project	Proposed Solar Panels		
Drawing Title	Proposed Solar Panels		
Location	Scops Cottage, Pentrebeirdd, Welshpool, Powys, SY21 9DL		
Client	Mr & Mrs Blake		
Scale	1:100 @ A3		
Drawing No	76413 / GD / 100	Rev	-
Drawn By	NB	Date	2022/05/19

HOGSTOW HALL, MINSTERLEY
 SHREWSBURY, SHROPSHIRE. SY5 0HZ
 Tel: 01743 791336 Fax: 01743 792770
 E-mail: mail@rogerparry.net
 Web address: www.rogerparry.net
 Roger Parry & Partners LLP partnership no. OC312203
 Registered Office Hogstow Hall, Minsterley, Shrewsbury, SY5 0HZ
 Registered in England and Wales.
 A list of members of the LLP is available at the above address.