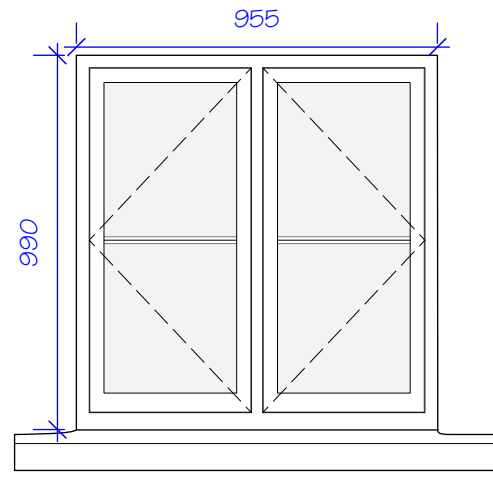
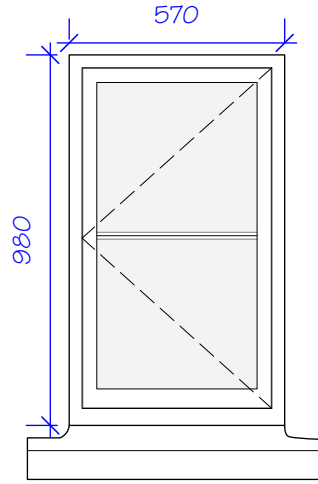


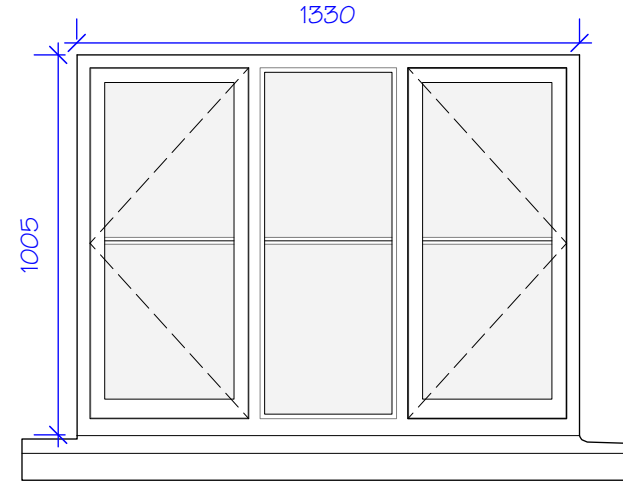
Replacement Windows in Lean To Extension - Elevations 1:20



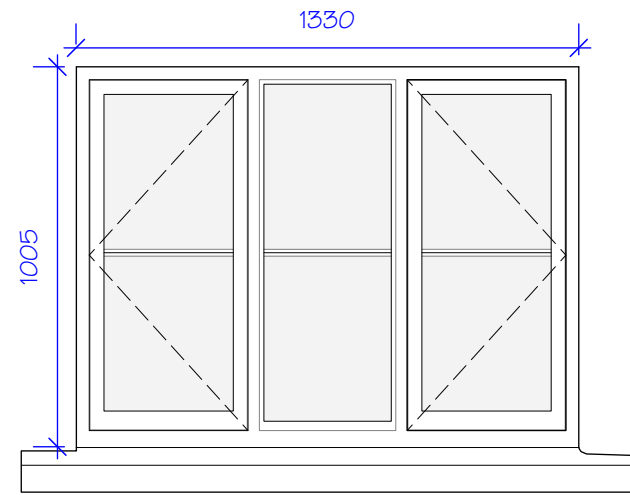
WGO1



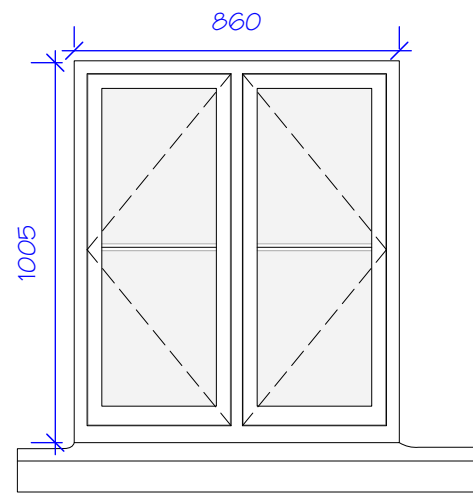
WGO2



WGO3

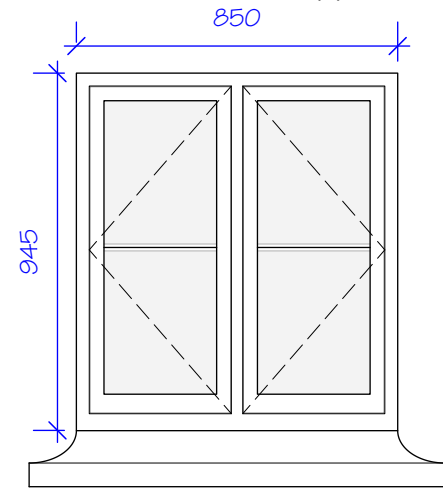


WGO4

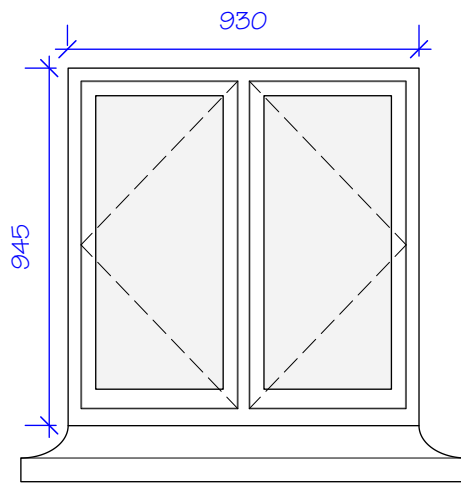


WGO5

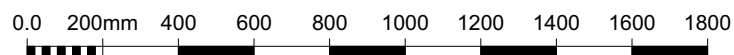
New Windows in Shippon - Elevations 1:20



NWFO1



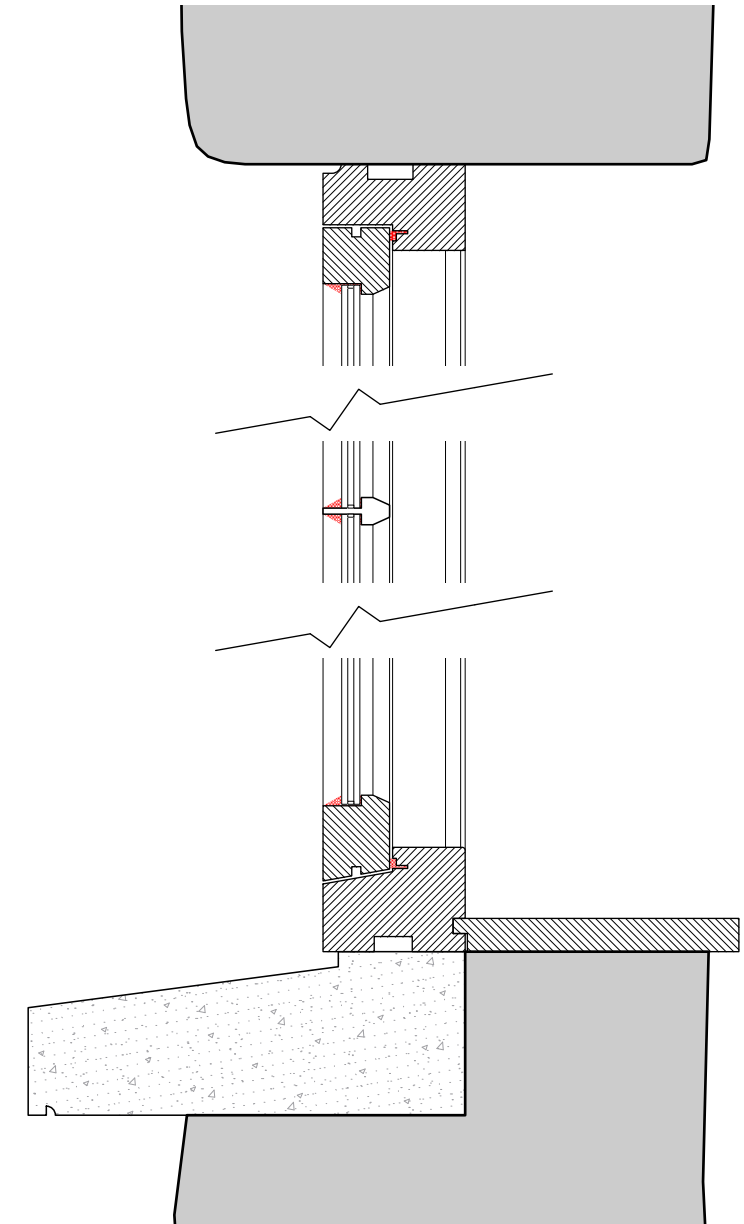
NWFO2



Scale = 1 : 20

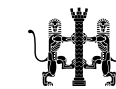
Flush casement timber farmhouse windows

Typical Section Detail 1:5



JONATHAN RHIND·architects

The Old Rectory
Shirwell Barnstaple
Devon EX31 4JU
01271 850416



Coach House
Rumwell Hall
Taunton TA4 1EL
01823 462300

www.jonathan-rhind.co.uk · architects@jonathan-rhind.co.uk

© Do not scale from drawing. All dimensions to be checked on site.
Discrepancies to be notified to the Architect.

**Bartonbury Farm,
Down St Mary
PROPOSED FARMHOUSE
WINDOW SCHEDULE**

Drawn: TP Scale: Various

Checked: MR Date: 30/06/2022

1295.10

PLANNING