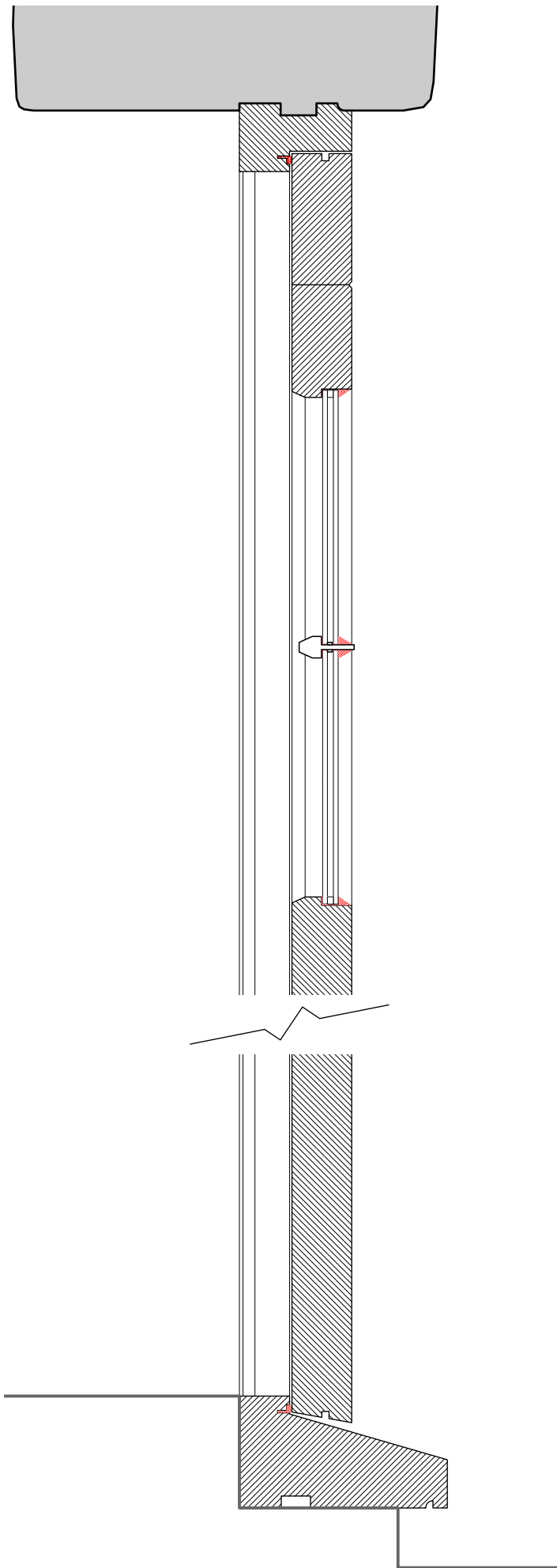
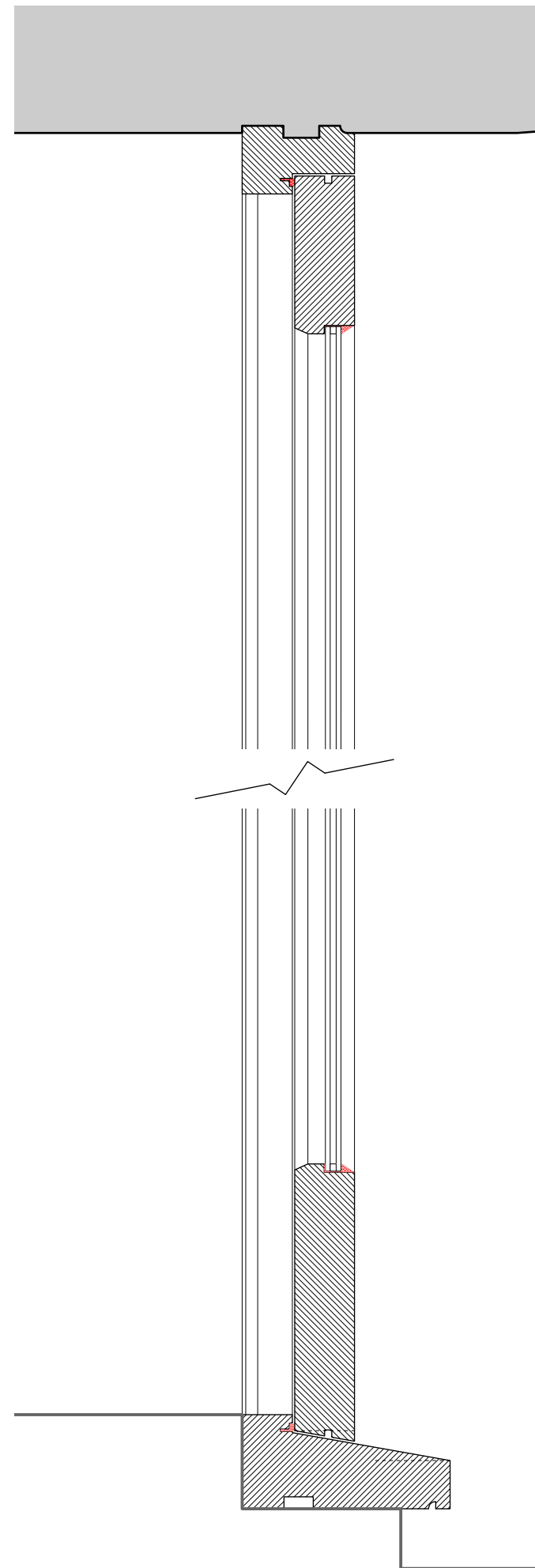


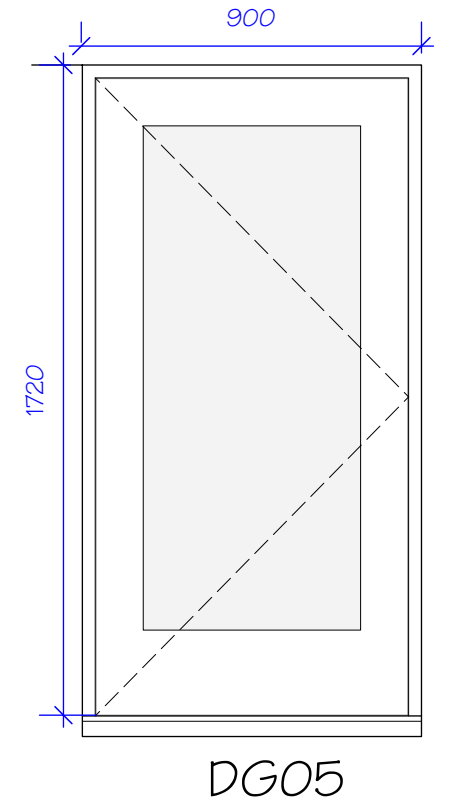
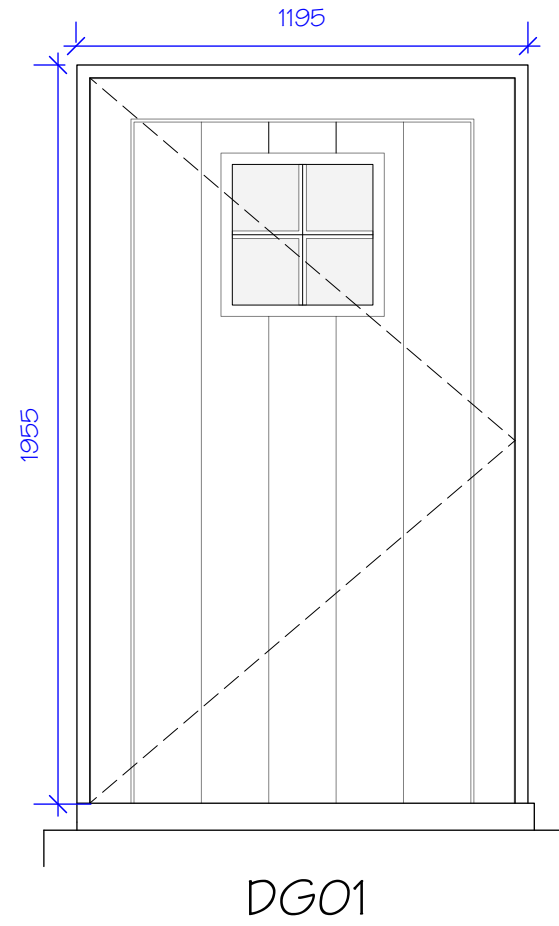
DG01 Section 1:5



DG05 Section 1:5

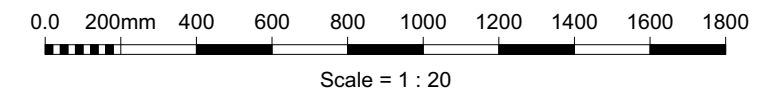


Elevations 1:20



DG01 Timber door with glazed insert with glazing bars


DG05 Timber door with large glazed panel



PLANNING

JONATHAN RHIND·architects

The Old Rectory
Shirwell Barnstaple
Devon EX31 4JU
01271 850416



Coach House
Rumwell Hall
Taunton TA4 1EL
01823 462300

www.jonathan-rhind.co.uk · architects@jonathan-rhind.co.uk

© Do not scale from drawing. All dimensions to be checked on site.
Discrepancies to be notified to the Architect.

**Bartonbury Farm,
Down St Mary
PROPOSED FARMHOUSE
DOOR SCHEDULE**

Drawn: TP Scale: Various
Checked: MR Date: 30/06/2022

1295.14