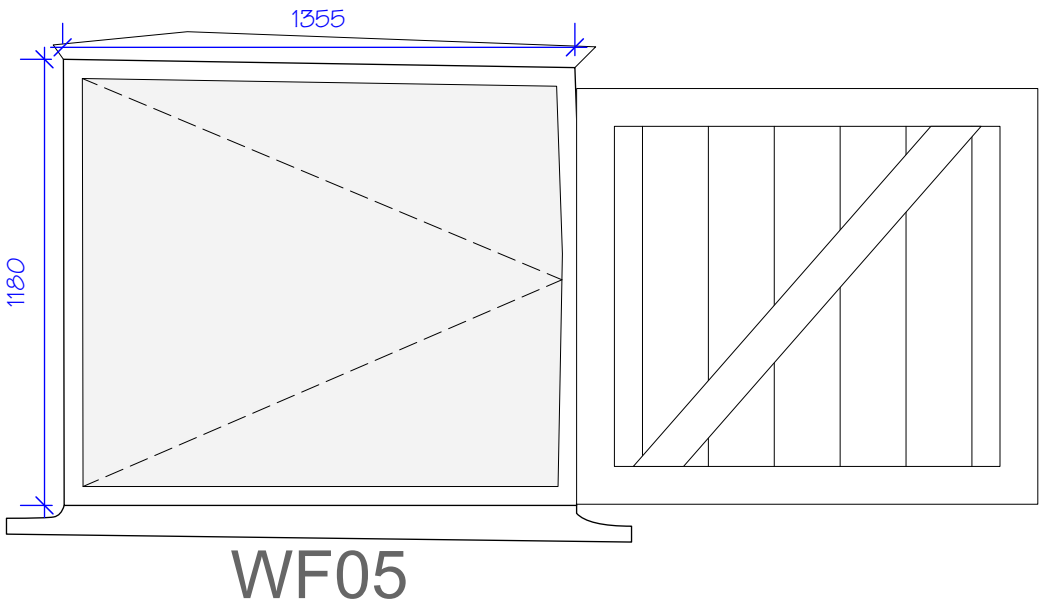
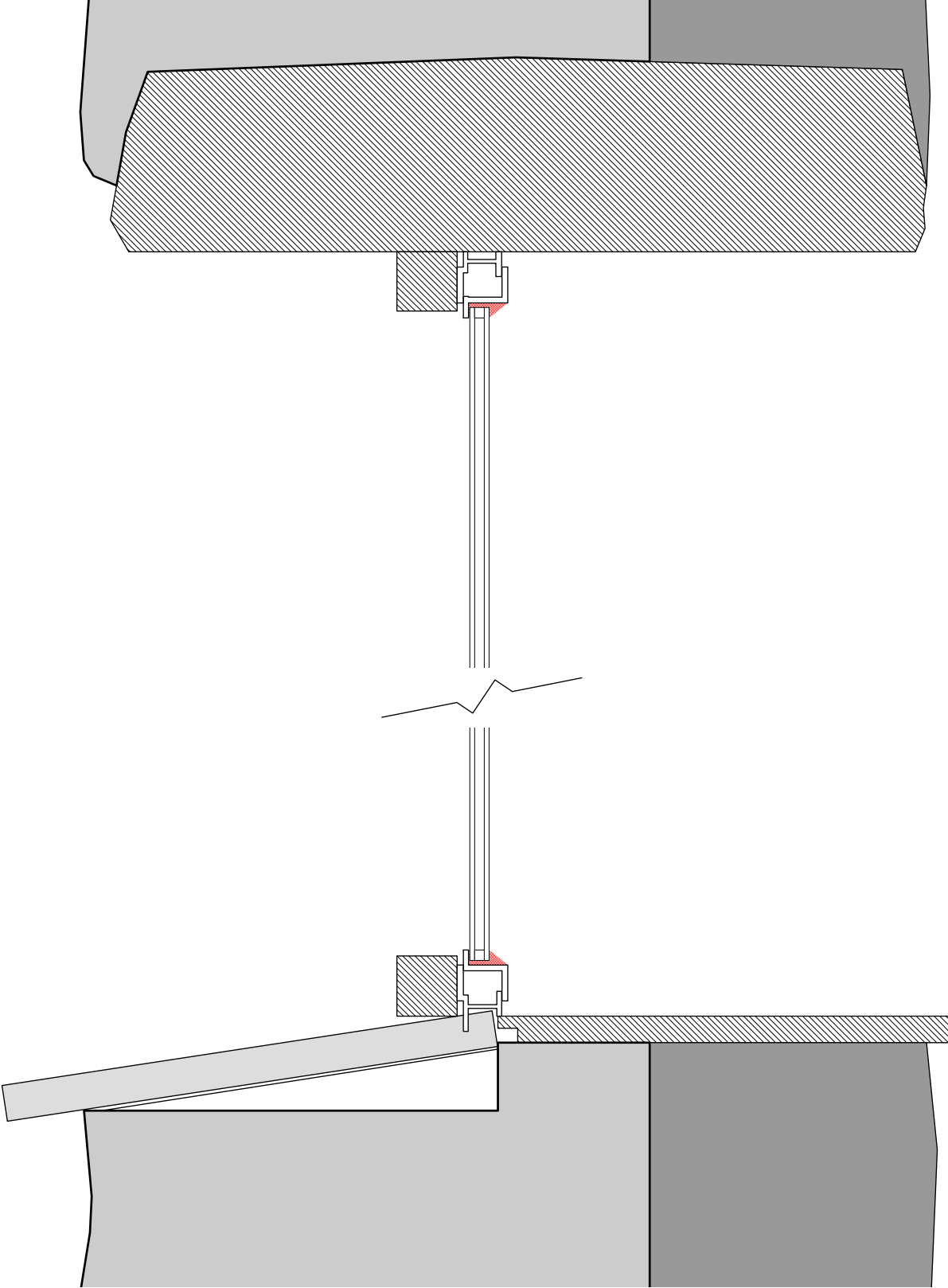
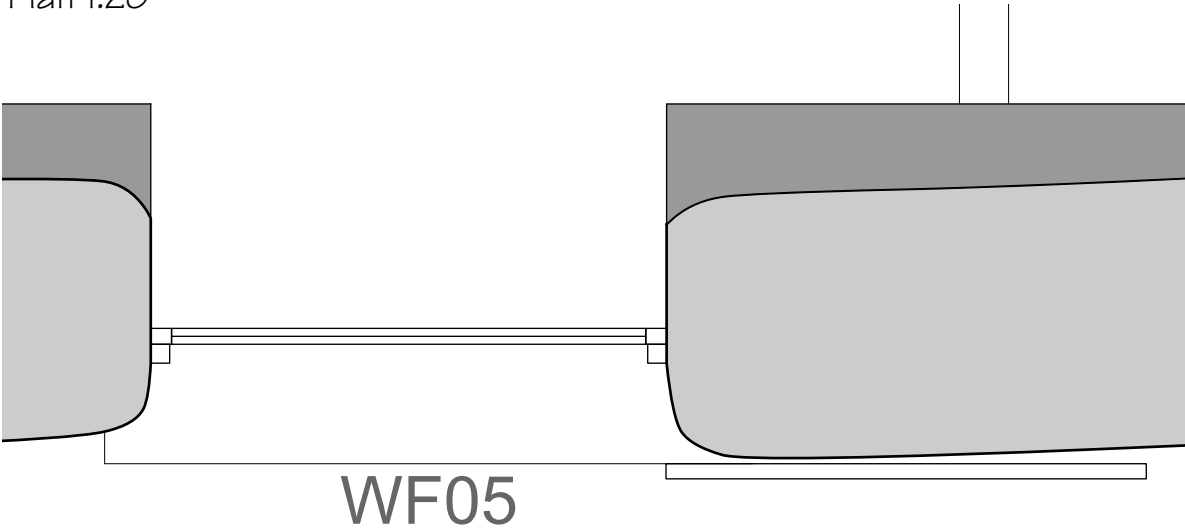


Section Detail 1:5

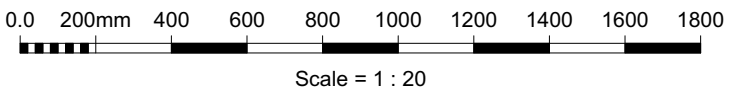
Elevation 1:20



Plan 1:20



Metal, inward opening casement window, set behind existing timber frame, with slate sill.



PLANNING	JONATHAN RHIND ·architects	Bartonbury Farm, Down St Mary PROPOSED FARMHOUSE WINDOW SCHEDULE	
	The Old Rectory Shirwell Barnstaple Devon EX31 4JU 01271 850416	Coach House Rumwell Hall Taunton TA4 1EL 01823 462300	Drawn: TP Scale: Various
	www.jonathan-rhind.co.uk • architects@jonathan-rhind.co.uk		Checked: MR Date: 30/06/2022
	© Do not scale from drawing. All dimensions to be checked on site. Discrepancies to be notified to the Architect.		1295.11