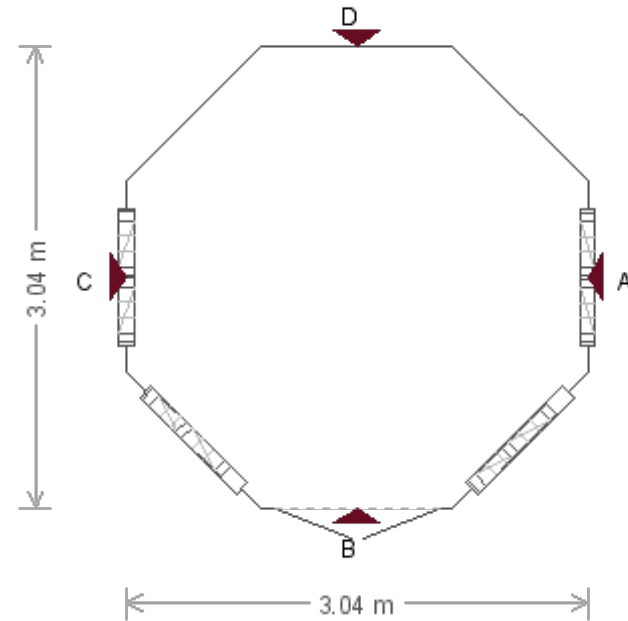
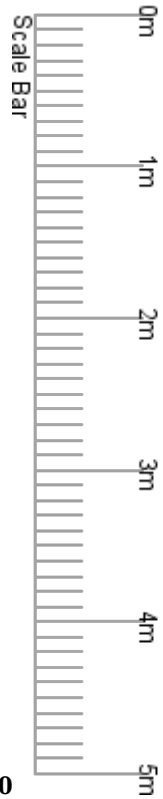


Scale 1:50

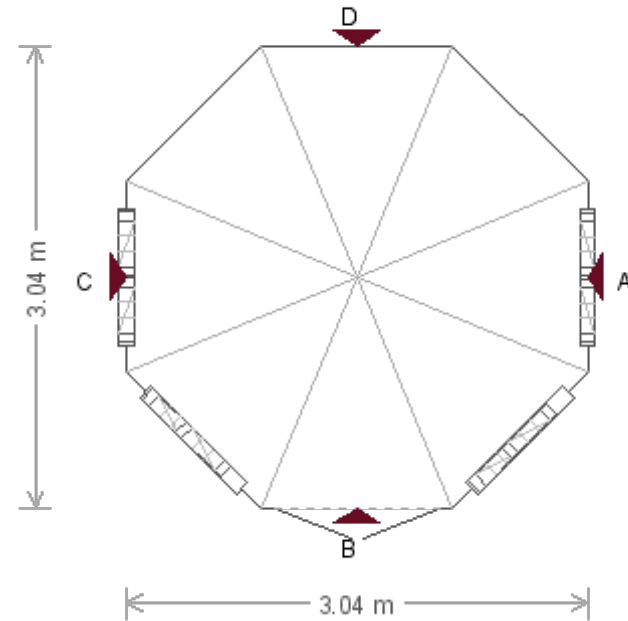


Customer Name	Mrs Mercer	Building	3.0 x 3.0m Wiveton	
Customer Address	Meadow Brook, Church Lane, Kirklington, Newark, Nottinghamshire, NG22 8NA	Drawing Date	22nd June 2022	
		Drawing Title	Floor Plan	Sheet 1/6



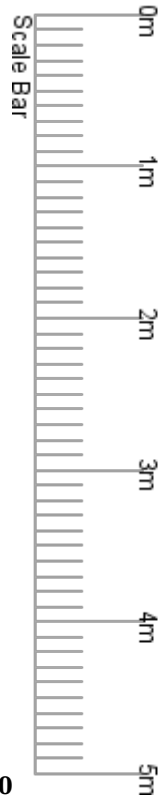


Scale 1:50

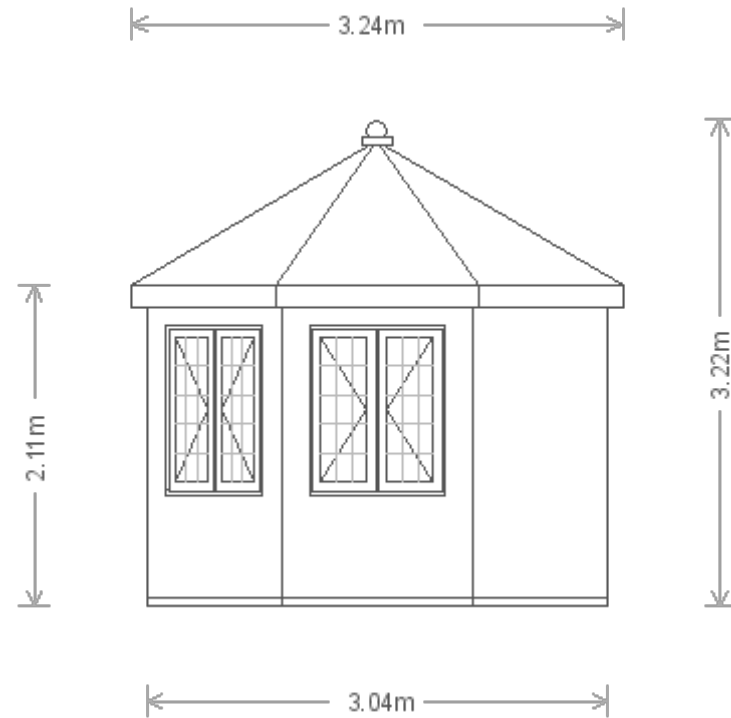


Customer Name	Mrs Mercer	Building	3.0 x 3.0m Wiveton	
Customer Address	Meadow Brook, Church Lane, Kirklington, Newark, Nottinghamshire, NG22 8NA	Drawing Date	22nd June 2022	
		Drawing Title	Plan View	Sheet 2/6



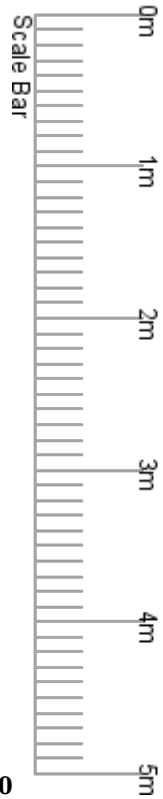


Scale 1:50

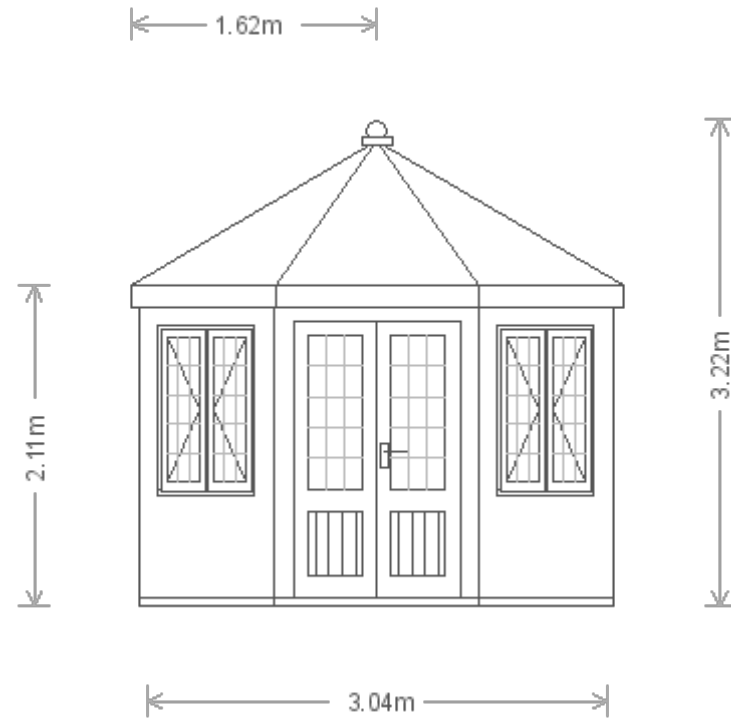


Customer Name	Mrs Mercer	Building	3.0 x 3.0m Wiveton	
Customer Address	Meadow Brook, Church Lane, Kirklington, Newark, Nottinghamshire, NG22 8NA	Drawing Date	22nd June 2022	
		Drawing Title	Elevation A View	Sheet 3/6

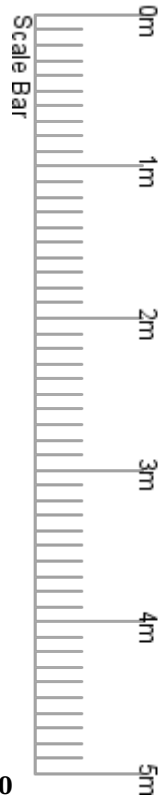




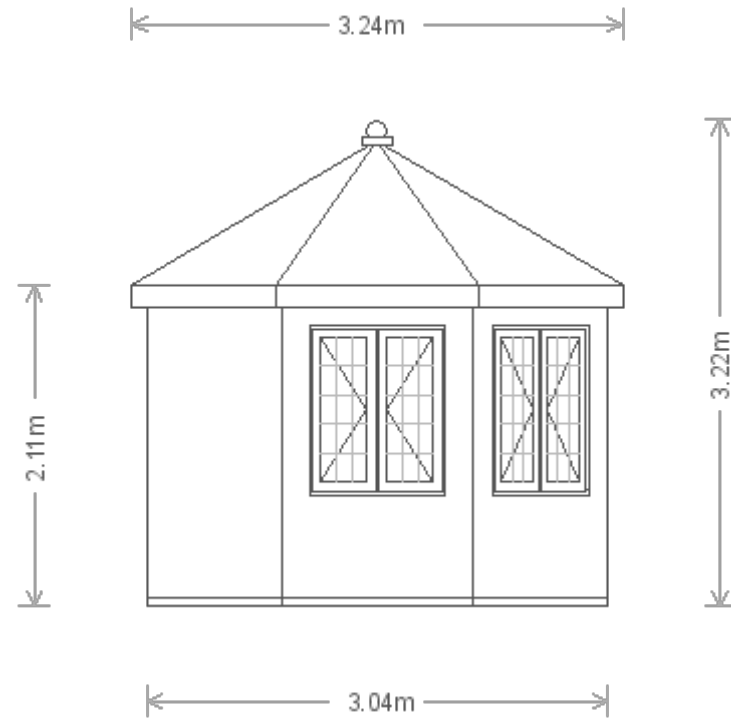
Scale 1:50



Customer Name	Mrs Mercer	Building	3.0 x 3.0m Wiveton	
Customer Address	Meadow Brook, Church Lane, Kirklington, Newark, Nottinghamshire, NG22 8NA	Drawing Date	22nd June 2022	
		Drawing Title	Elevation B View	Sheet

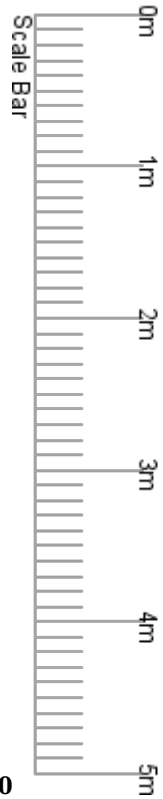


Scale 1:50

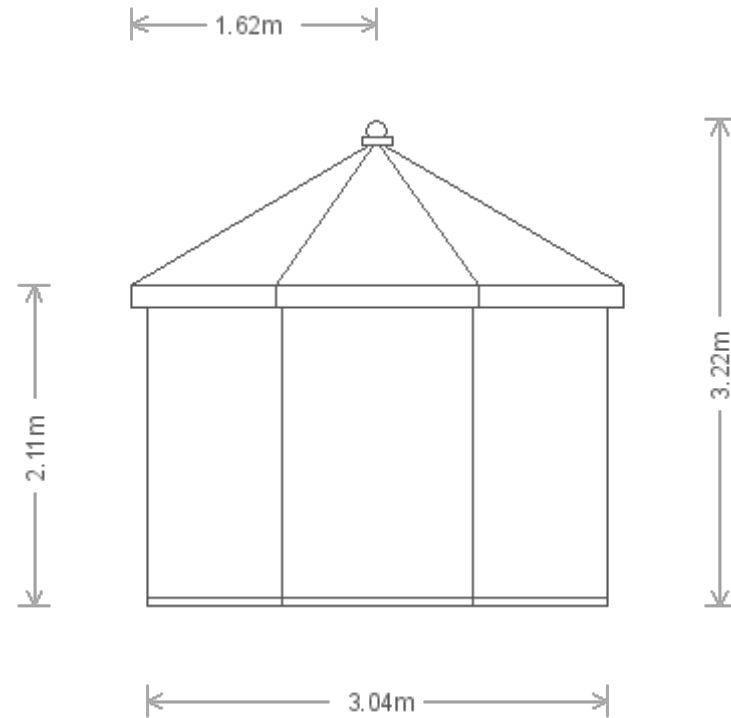


Customer Name	Mrs Mercer	Building	3.0 x 3.0m Wiveton	
Customer Address	Meadow Brook, Church Lane, Kirklington, Newark, Nottinghamshire, NG22 8NA	Drawing Date	22nd June 2022	
		Drawing Title	Elevation C View	Sheet 5/6





Scale 1:50



Customer Name	Mrs Mercer	Building	3.0 x 3.0m Wiveton	
Customer Address	Meadow Brook, Church Lane, Kirklington, Newark, Nottinghamshire, NG22 8NA	Drawing Date	22nd June 2022	
		Drawing Title	Elevation D View	Sheet 6/6



Details

Materials

- Cladding Material - Swedish Redwood Shiplap
- Roof Material - Cedar Shingles
- Door and Window Frame Material - Swedish Redwood
- Doors - Hemlock
- Building Colour - Twine

Customer Name	Mrs Mercer	Building	3.0 x 3.0m Wiveton	
Customer Address	Meadow Brook, Church Lane, Kirklington Newark, Nottinghamshire, NG22 8NA	Drawing Date	22nd June 2022	
		Drawing Title	Details	Sheet 7/6