

Technical

POSITIONING AND SPA REQUIREMENTS

The spa requires a quiet site, large enough for the spa and the chiller, with suitable access for the horses to load and unload.

In addition:

- A flat piece of concrete slightly larger than the size of the spa.
- Access to 13A electricity for the spa and either 3 phase or single phase for the chiller.
- Access to water to fill the spa.
- Suitable drainage in the vicinity.

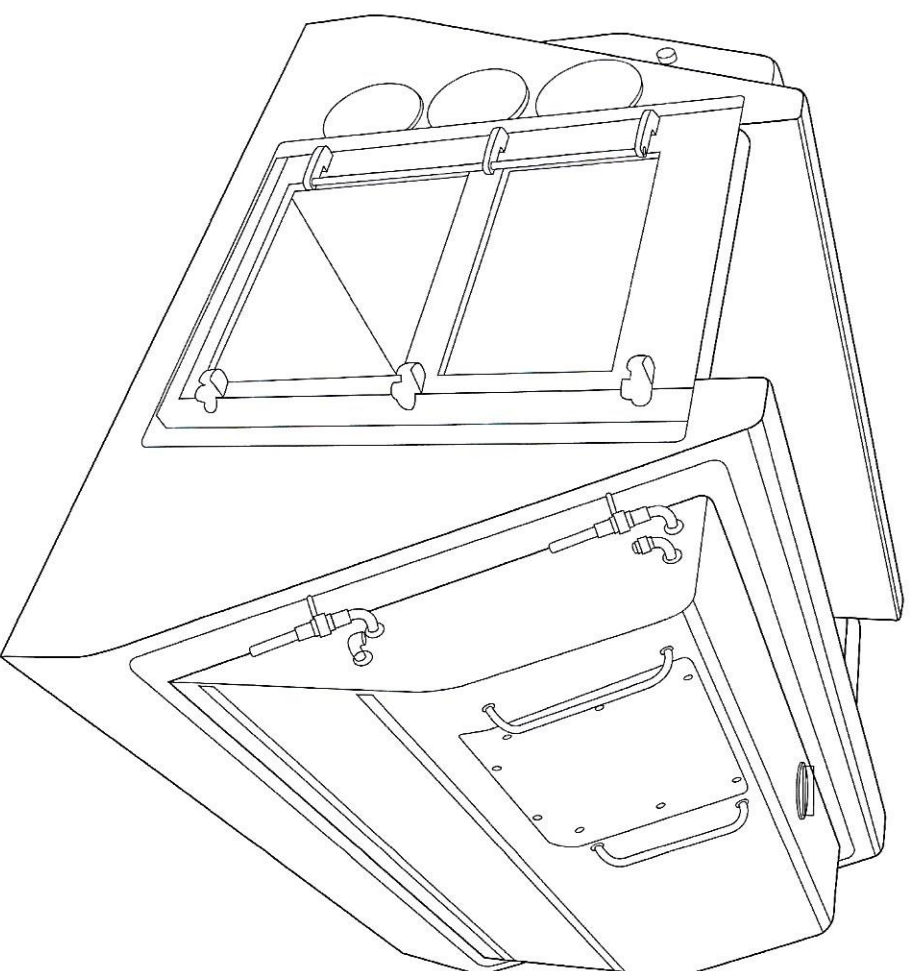
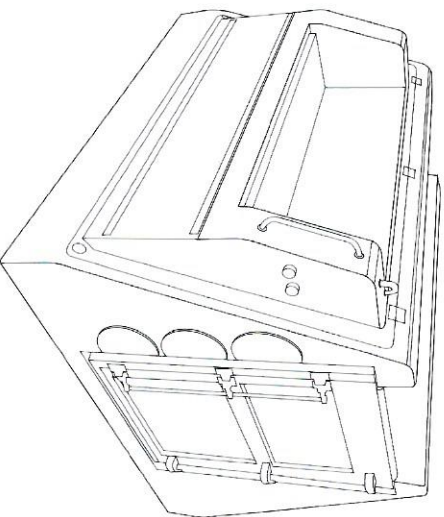
INSTALLATION AND TRAINING

■ The spa can be situated in either an oversized pit with drainage or placed on an oversized flat piece of concrete (ramps will need to be provided).

- A JCB loader or similar that is capable of lifting two tonnes will be required for positioning the spa.
- Installation will take approximately four hours.
- Training will take approximately three hours.

SALTS AND CHEMICALS

- New spas come with everything required to get you going. Further accessories and spare parts can be purchased from ECB Equine.



Spa dimensions:
2550mm (l) x 2330mm (w) x 1660mm (h)

Chiller dimensions:
700m x 700m x 1350mm

Electrical requirements:

Spa: 13A supply

Chiller: Single Phase (220V supply) on motor rated trip, 3 phase (380/415V supply) 10 amps per phase.