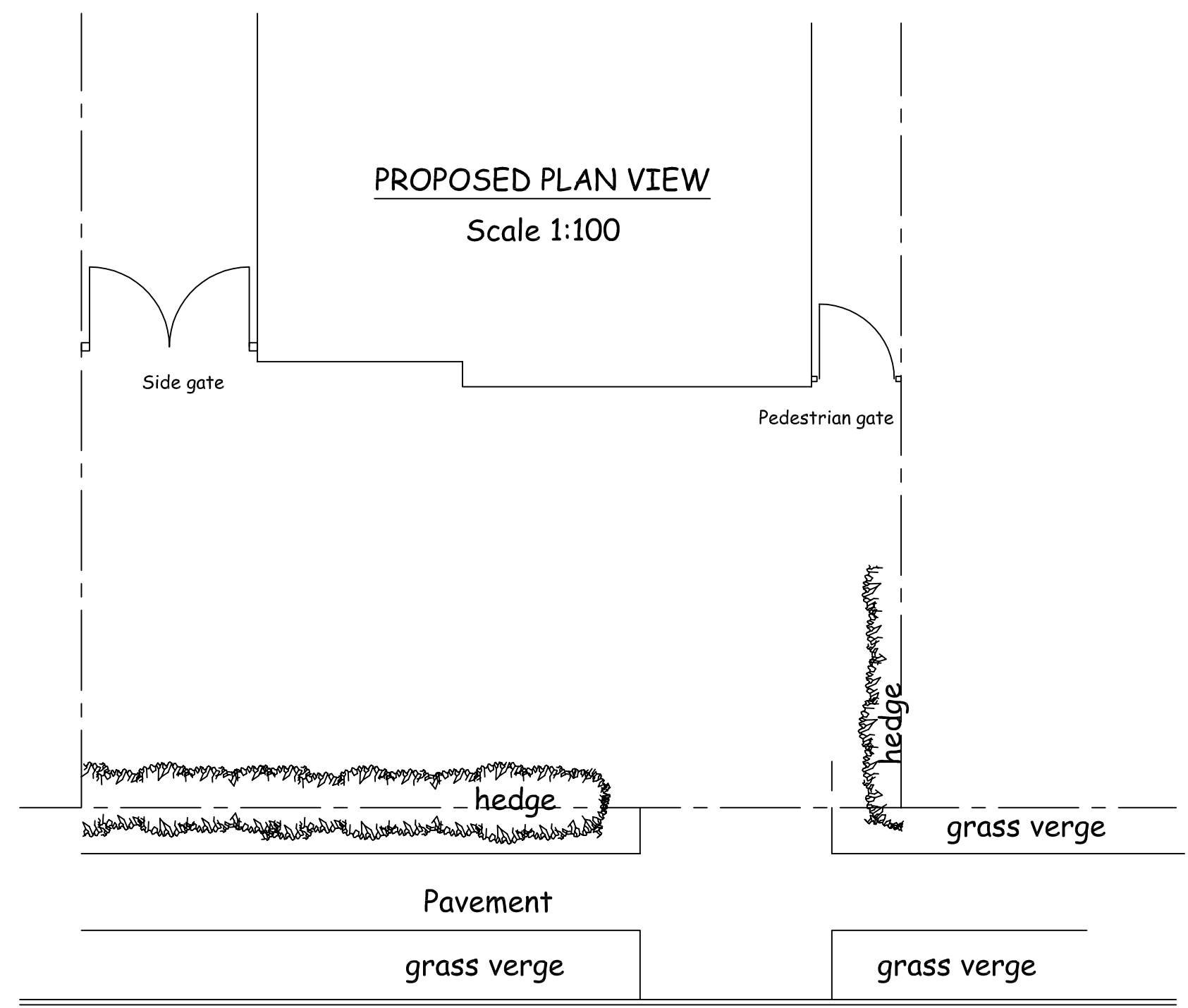


1:100 1.0m 0 1.0m 2.0m 3.0m 4.0m 5.0m 6.0m 7.0m 8.0m 9.0m 10.0m 1:100

RECEIVED
22/00562/FUL
29.06.22

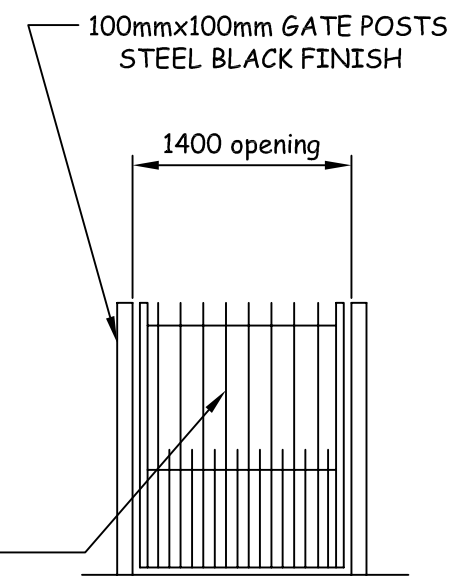
PROPOSED PLAN VIEW
Scale 1:100



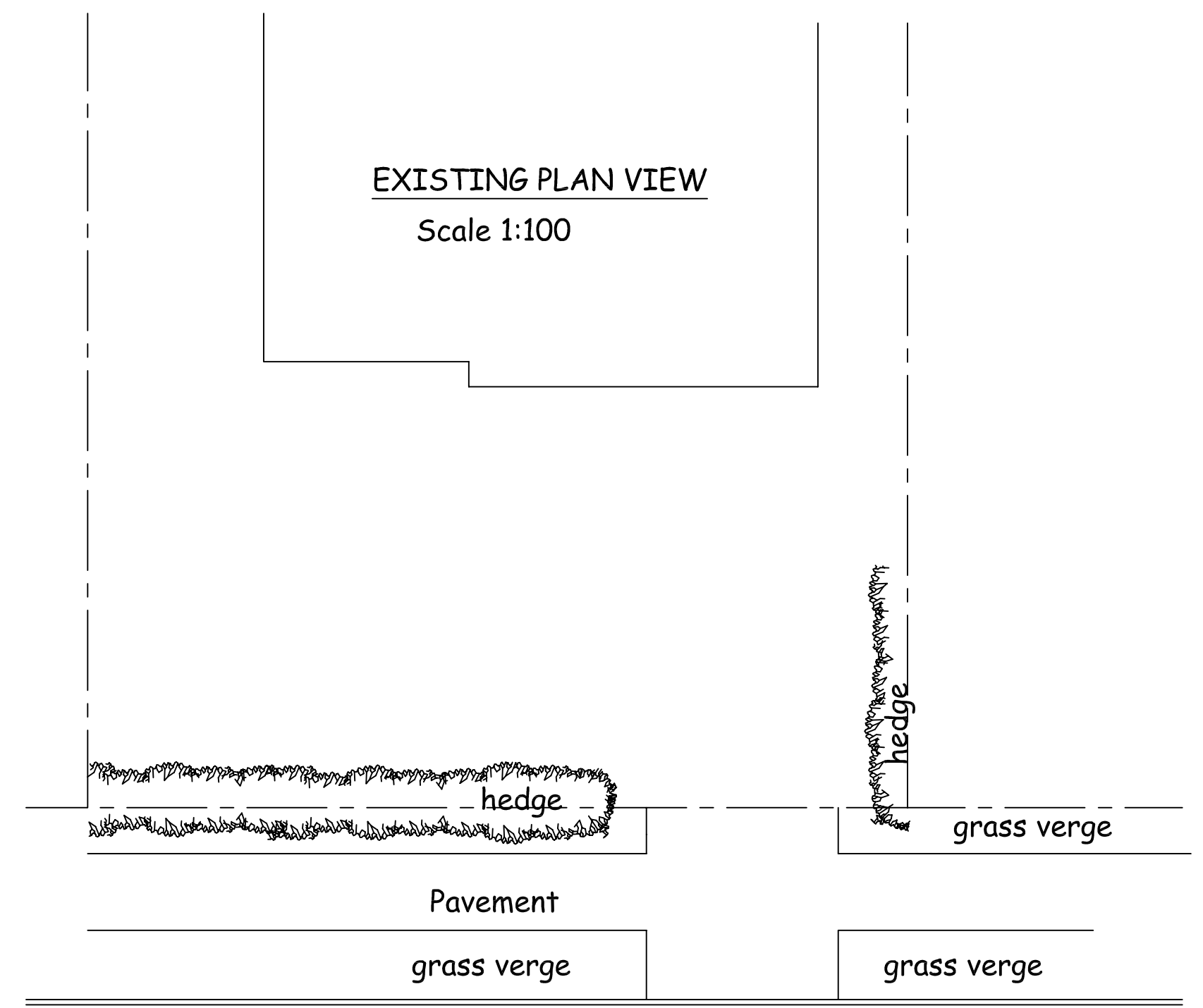
NEW WOKINGHAM ROAD

NEW STEEL GATES BLACK FINISH
DESIGN TO CLIENTS SPECIFICATION

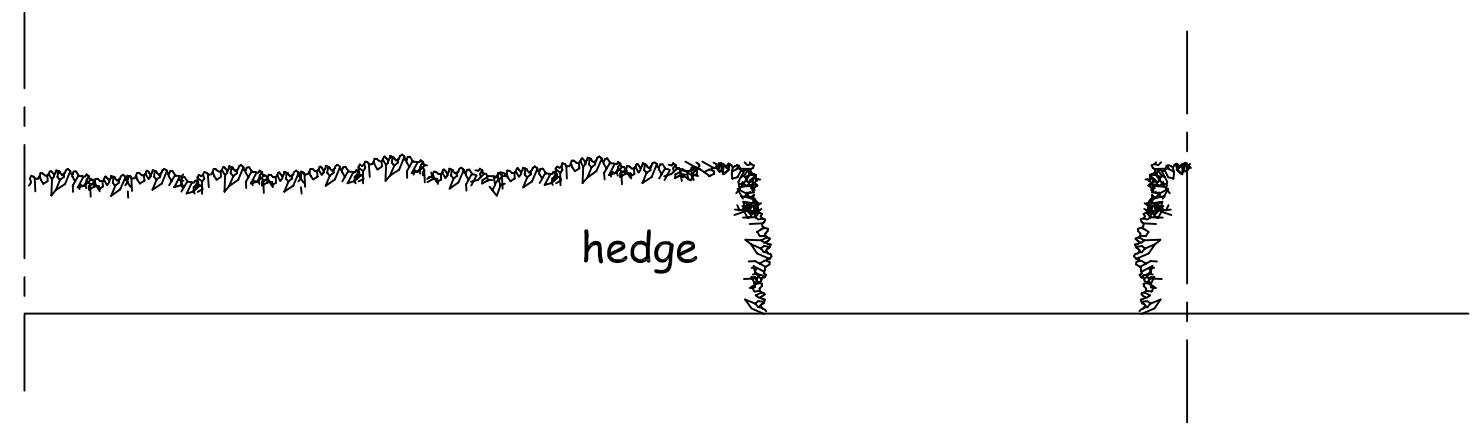
**PROPOSED FRONT ELEVATION
ON PEDESTRIAN GATE**
Scale 1:50



EXISTING PLAN VIEW
Scale 1:100



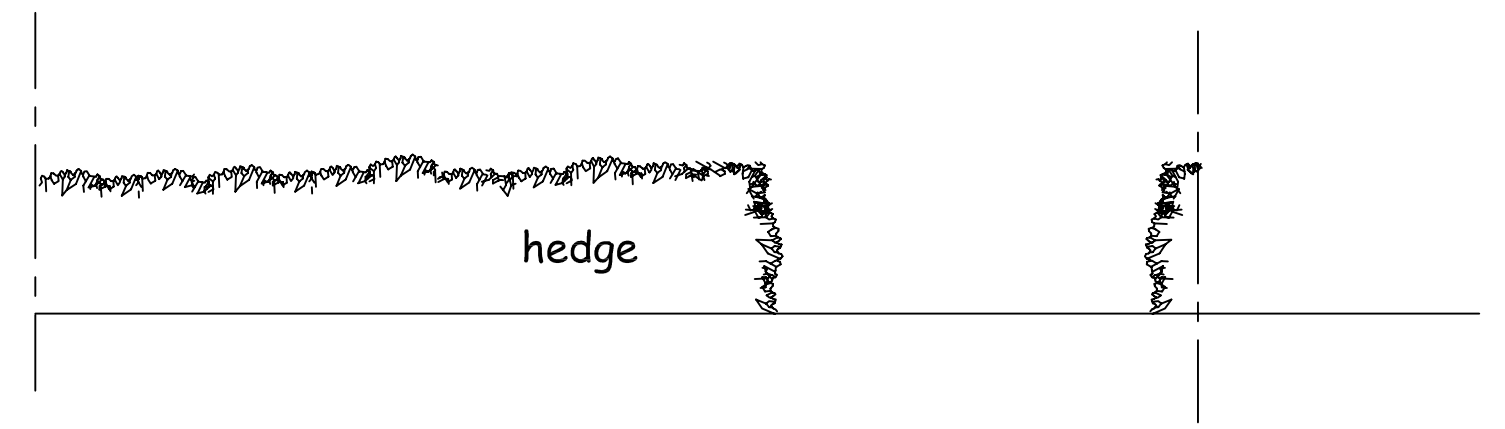
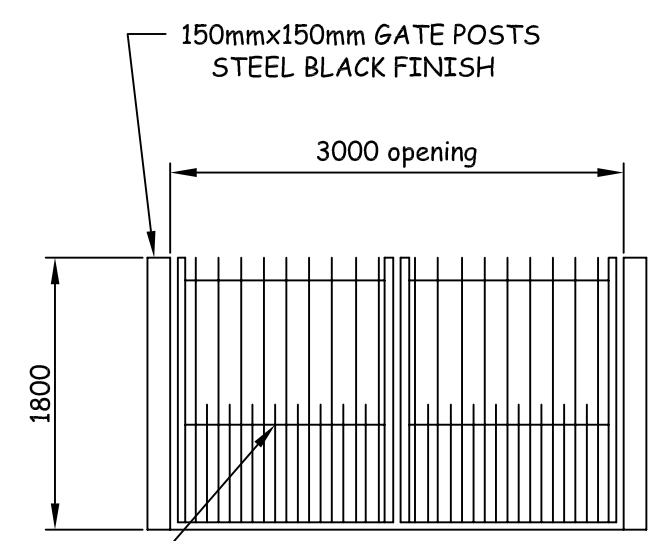
NEW WOKINGHAM ROAD



PROPOSED FRONT VIEW
Scale 1:100

NEW STEEL GATES BLACK FINISH
DESIGN TO CLIENTS SPECIFICATION

PROPOSED FRONT ELEVATION ON SIDE GATE
Scale 1:50



EXISTING FRONT VIEW
Scale 1:100

Note:
This drawing is prepared for building regulations approval only. Should client (and/or their builder) use this drawing for construction purposes: they do so entirely at their own risk.

© TOP DRAW DESIGNS
UNAUTHORIZED REPRODUCTION PROHIBITED.

TOP DRAW DESIGNS

18 WITTMead ROAD, MYTCHETT, SURREY. GU16 6ER email: topdrawdesigns@gmail.com
Telephone :- 44 (0)1252 371 428 Mob :- 44 (0)7767 270 314

Job 17 New Wokingham Road Title Proposed New Entrance Gates
Crowthorne RG45 6JG

Scale at A2 1:100 , 1:50	Date MARCH 2022	Job No	Dwg No 290322/1	Rev A
-----------------------------	--------------------	--------	--------------------	----------