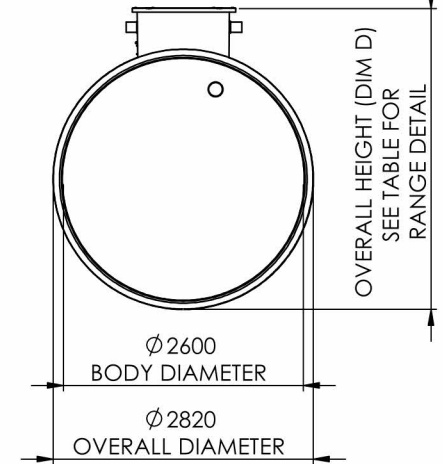
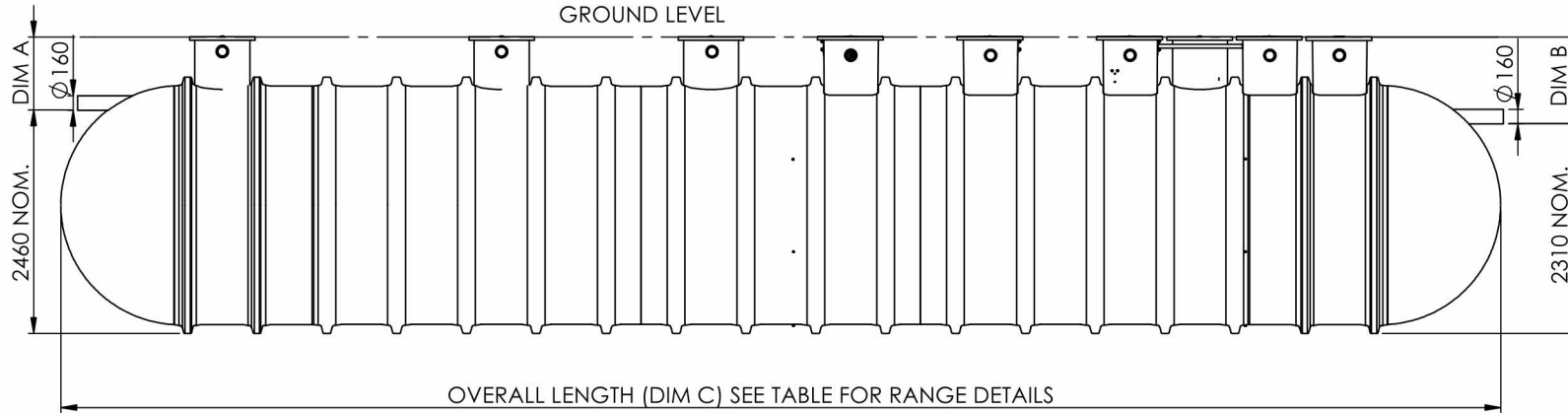
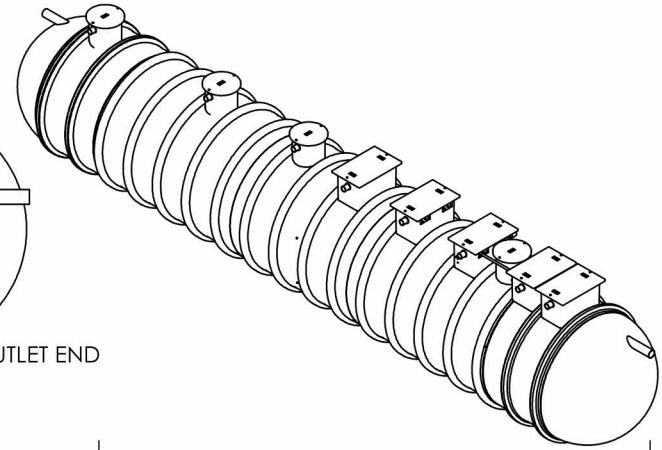
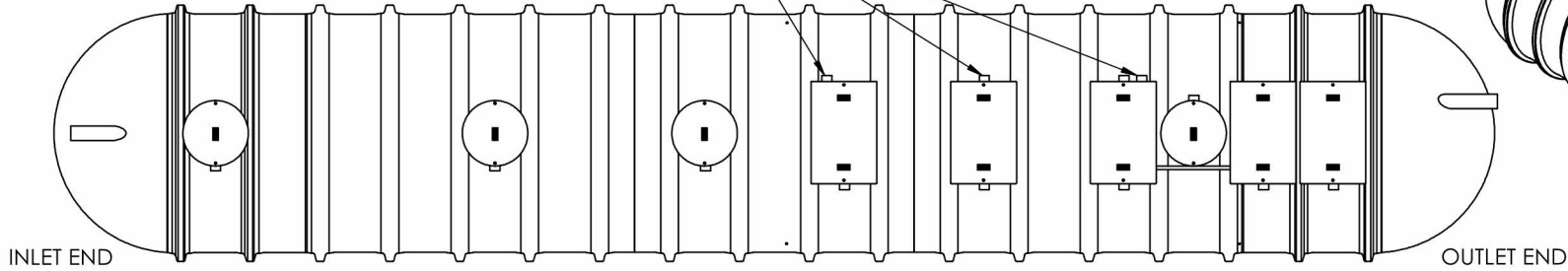


BLOWER HOSE CONNECTIONS



BIOEFFICIENT Ø2.6 TANK RANGE		
INLET INVERT (DIM A)	OUTLET INVERT (DIM B)	OVERALL HEIGHT (DIM D)
0500	650	2960
0800	950	3260
1500	1650	3960
2000	2150	4460

	BIOEFFICIENT Ø2.6 TANK RANGE						
	BIOEFFICIENT MODEL						
	34	38	42	47	55	67	80
NO. OF TURRETS	7	7	8	8	9	9	9
INLET & OUTLET DIAMETER	160	160	160	160	160	160	160
UNIT LENGTH (DIM C)	7376	8150	8917	9684	11222	13528	15833
UNIT WEIGHT (APPROX)	3000Kg	3200Kg	3400Kg	3800Kg	4200Kg	4700Kg	5400Kg

NOTES:

- Units are available with the inlet inverts shown in the table. Selection of the correct inlet invert is key, it must be suitable for the drainage and ground levels on site, the invert CANNOT be altered once the plant is installed. In any circumstance, the maximum allowable inlet invert is 2000mm.
- It is important to read and understand the installation and operation guidelines before attempting to install this unit.
- Each unit is supplied with Non-pedestrian duty covers and frames to suit.
- Vent pipe connections are supplied, but vent runs and stack are by others.

Please Check with Kingspan Environmental For The Latest Issue Of This Drawing

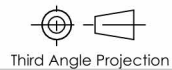
Issue	Date	Drawn by	Approved by	Description
04	08/04/2			ECN 1567 - TABLE UPDATED, VOLUME REMOVED
03	04/04/1			CC1374
02	06/02/1			CC1353-PEDESTRIAN DUTY COVER STATEMENT REMOVED

LN Number:		Tolerance (unless stated) :	
Finish :		Thickness :	n/a
Weight : 3959.10 Kg		Surface Area :	m <sup>2</sup>
Modelled By : Name		Material :	Various

Drawing : DS1285P		Page 1 of 1
Bioefficient Treatment Plant - Ø2.6 Case Diameter		

All Dimensions In mm

Scale: Do Not Scale



Third Angle Projection

Kingspan Water & Energy reserve the right to alter the details of this drawing without prior notice. This drawing is copyright and may not be reproduced or used without the written permission of Kingspan Water & Energy

